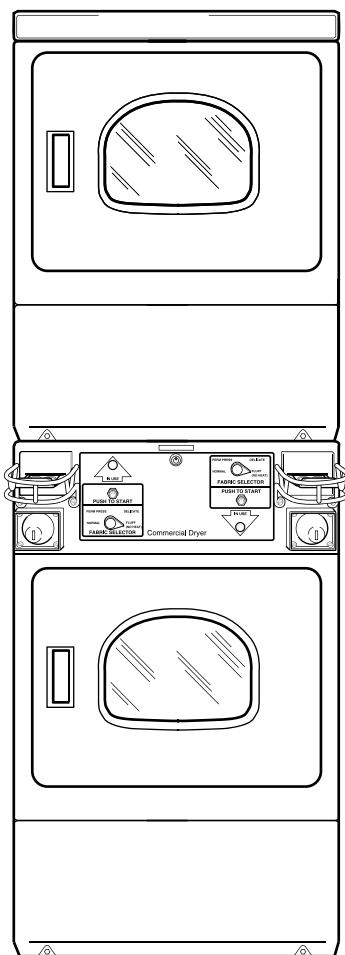


Stacked Dryers

Metered and Nonmetered

Refer to Page 3 for Model Numbers



D330P_505028

Table of Contents

| Title | Page |
|---|------|
| Parts Ordering Information..... | 2 |
| Nameplate Location | 2 |
| Model Identification | 3 |
| Control Panel and Controls - Nonmetered..... | 4 |
| Control Panel and Controls - Coin Slide Ready | 6 |
| Control Panel and Controls - Coin Drop | 8 |
| Control Panel and Controls - Card Reader Ready..... | 10 |
| Control Panel and Controls - Card Reader Installed..... | 12 |
| Control Cabinet - Nonmetered | 14 |
| Control Cabinet - Coin Slide Ready | 16 |
| Control Cabinet - Coin Drop..... | 18 |
| Control Cabinet - Card Reader Ready..... | 20 |
| Control Cabinet - Card Reader Installed | 22 |
| 2 Switch Timer | 24 |
| 3 Switch Timer | 26 |
| Loading Door without Window | 28 |
| Loading Door with Window | 30 |
| Access Panel, Front Panel and Seal | 32 |
| Motor, Exhaust Fan and Belt | 34 |
| Front Bulkhead, Air Duct, Felt Seal and Cylinder | 36 |
| Rear Bulkhead, Felt Seal, Cylinder Roller and Terminal Block..... | 38 |
| Heater Duct and Element Assembly | 40 |
| Heater Duct Assembly | 42 |
| Gas Valve, Igniter and Gas Conversion Kits..... | 44 |
| Cabinet, Exhaust Duct and Base - Upper Dryer | 46 |
| Cabinet, Exhaust Duct and Base - Lower Dryer | 48 |
| Lead-In Cord | 50 |
| Terminal Block and Terminals | 52 |
| Terminals | 54 |
| Terminals and Terminal Extractor Tools | 56 |
| Burner Orifice Spuds..... | 58 |
| Wire Harnesses and Wires | 59 |
| Parts Index..... | 61 |

© Copyright 2006, Alliance Laundry Systems LLC

All rights reserved. No part of the contents of this book may be reproduced or transmitted in any form or by any means without the expressed written consent of the publisher.

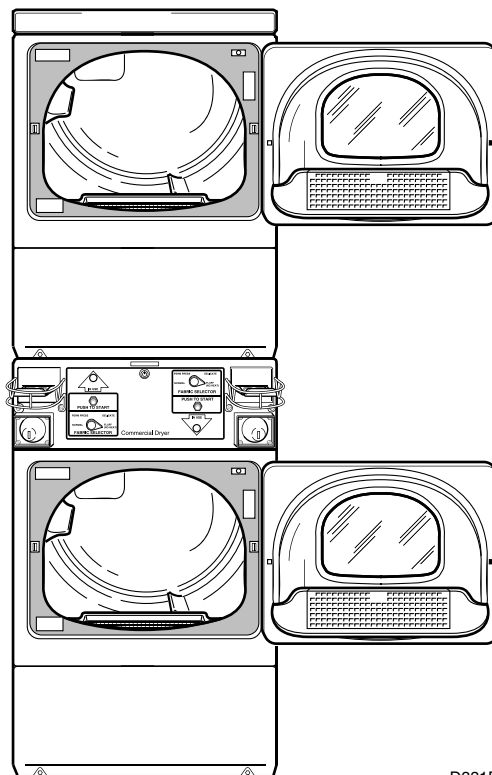
Parts Ordering Information

If literature or replacement parts are required, contact the source from whom the machine was purchased or contact Alliance Laundry Systems at (920) 748-3950 for the name and address of the nearest authorized parts distributor.

For technical assistance, call (920) 748-3121.

Nameplate Location

When calling or writing about your product, be sure to mention model and serial numbers. Model and serial numbers are located on nameplate(s) as shown.



D331P_505028

Model Identification

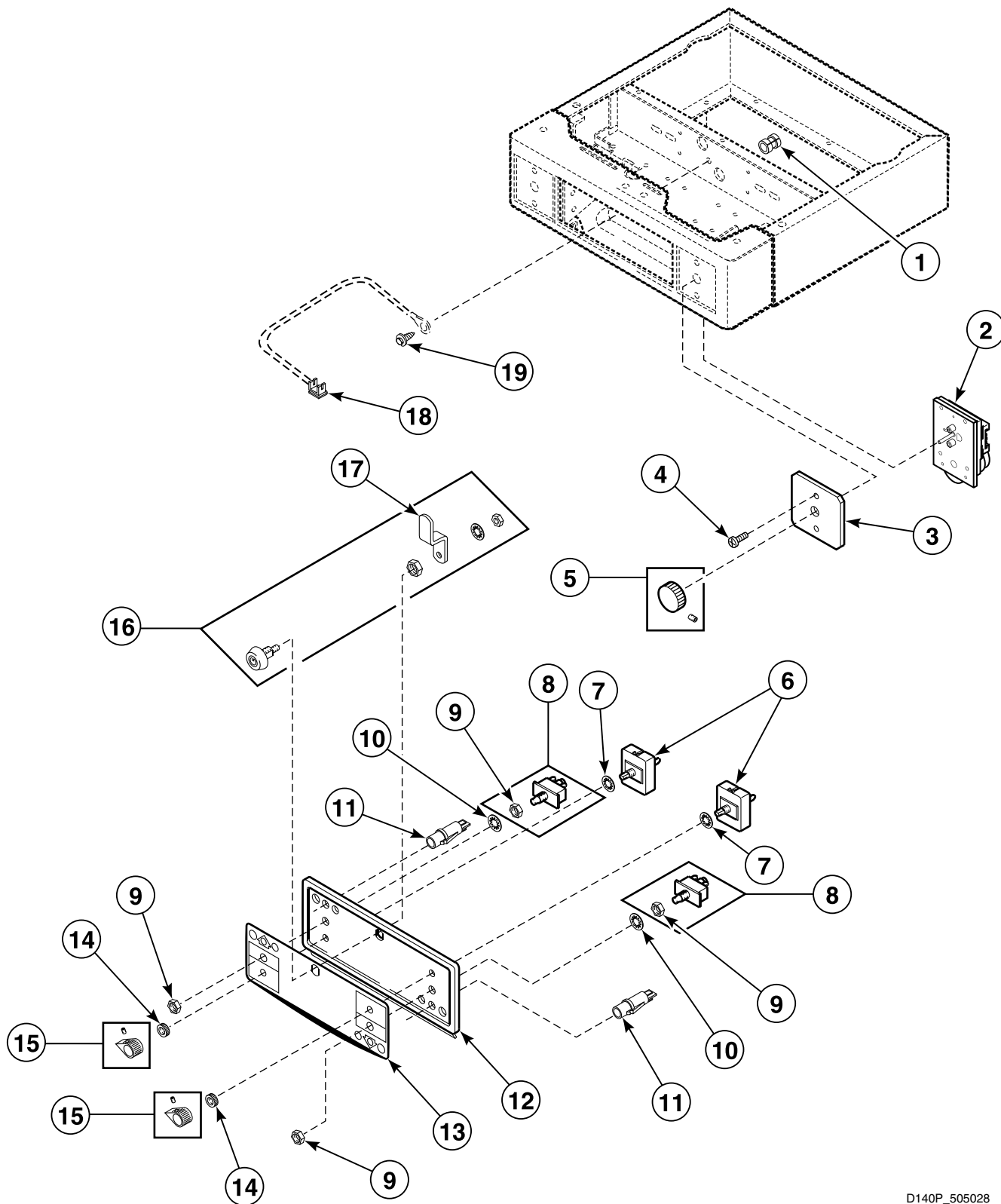
Information in this manual is applicable to these dryer models:

| | | | | |
|--------------|--------------|--------------|----------|----------|
| HSE117*A | SSE307*A | SSE517*A | SSG009*A | SSG609*C |
| HSE117*C | SSE307*A1500 | SSE517*A1500 | SSG109*A | SSG609*D |
| HSG119*A | SSE407*A | SSE607*C | SSG119*A | SSG619*C |
| HSG119*C | SSE407*A1500 | SSE607*C1500 | SSG309*A | SSG619*D |
| SSE007*A | SSE407*D | SSE607*D | SSG409*A | SSG709*A |
| SSE007*A1500 | SSE407*D1500 | SSE607*D1500 | SSG409*D | SSG719*A |
| SSE107*A | SSE417*A | SSE617*C | SSG419*A | USE007*A |
| SSE107*A1500 | SSE417*D | SSE617*D | SSG419*D | USG009*A |
| SSE117*A | SSE507*A | SSE707*A | SSG509*A | |
| SSE117*A1500 | SSE507*A1500 | SSE717*A | SSG519*A | |

* Add Letter To Designate Color. L - Almond W - White

Control Panel and Controls - Nonmetered

Models SSE007*A, SSE007*A1500, SSG009*A, USE007*A and USG009*A



D140P_505028

Control Panel and Controls - Nonmetered

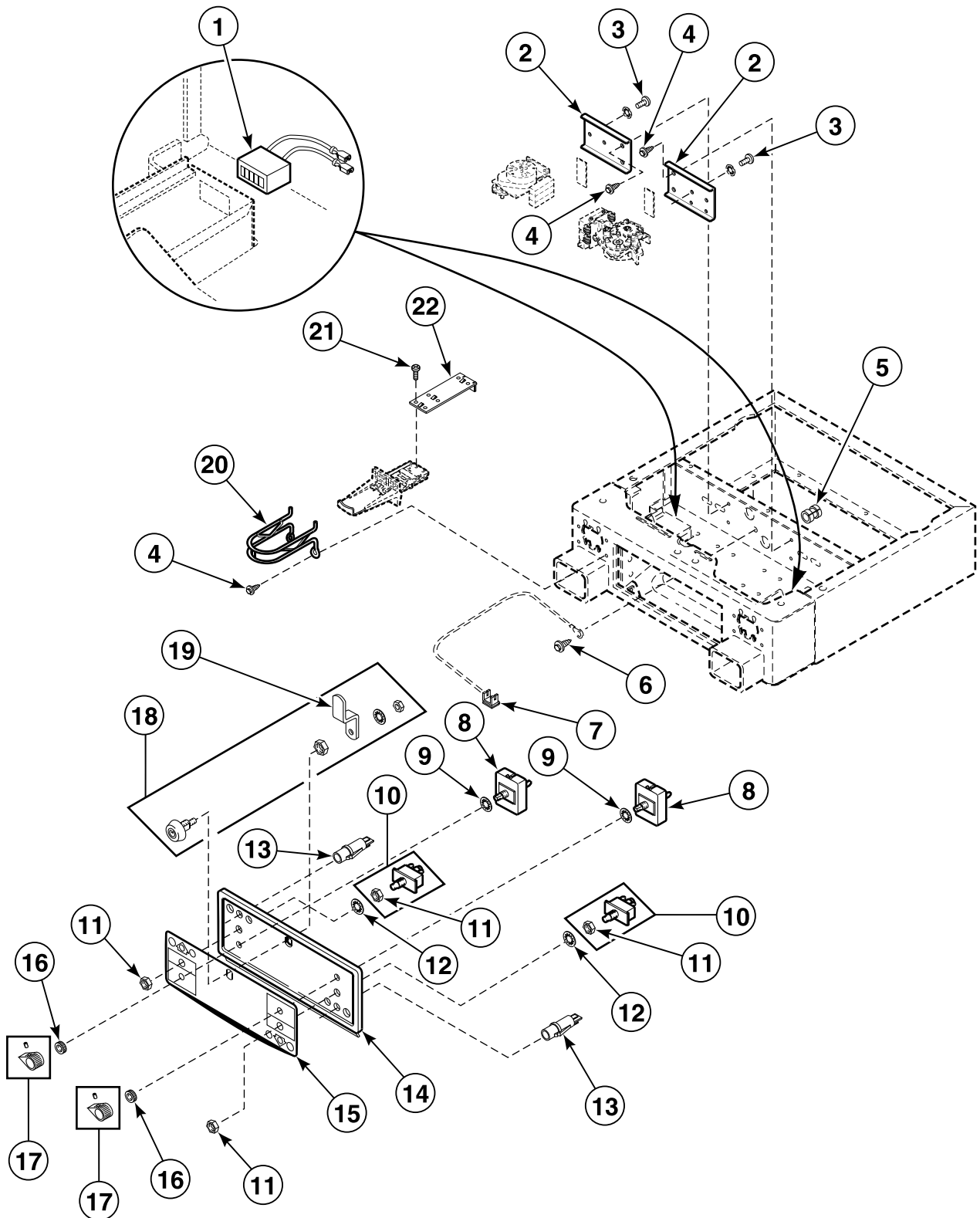
| REF | PART NO. | DESCRIPTION | COMMENTS |
|-----|----------|------------------------------------|--|
| 1 | 52113 | Strain Relief | Models SSG009*A and USG009*A |
| | N/A | Strain Relief | Models SSE007*A, SSE007*A1500 and USE007*A |
| 2 | 510524P | Timer | |
| 3 | 500814 | Timer Overlay | |
| 4 | 27328 | Screw | |
| 5 | 54678 | Timer Knob | |
| 6 | 61512 | Fabric Selector Switch | |
| 7 | 91176 | Washer | |
| 8 | 55882 | Switch Assembly | Includes item 9 |
| 9 | 52947 | Nut | |
| 10 | 25820 | Washer | |
| 11 | 32464 | Light | |
| 12 | 500228W | Control Panel and Bracket Assembly | White |
| | 500228L | Control Panel and Bracket Assembly | Almond |
| 13 | 504590 | Graphic Overlay | Models SSE007*A, SSE007*A1500 and SSG009*A |
| | 502927 | Overlay | Models USE007*A and USG009*A |
| 14 | 24205 | Nut | |
| 15 | 39897 | Switch Knob | |
| 16 | 27260P | Lock Kit | Includes item 17 |
| 17 | 27261 | Lock Cam | |
| 18 | 00161 | Grounding Clip | |
| 19 | 20530 | Screw | |

* Add Letter To Designate Color. L - Almond W - White

N/A = Part no longer available

Control Panel and Controls - Coin Slide Ready

Models HSE117*A, HSE117*C, HSG119*A, HSG119*C, SSE107*A, SSE107*A1500, SSE117*A, SSE117*A1500, SSE307*A, SSE307*A1500, SSG109*A, SSG119*A and SSG309*A



D361P_505028

Control Panel and Controls - Coin Slide Ready

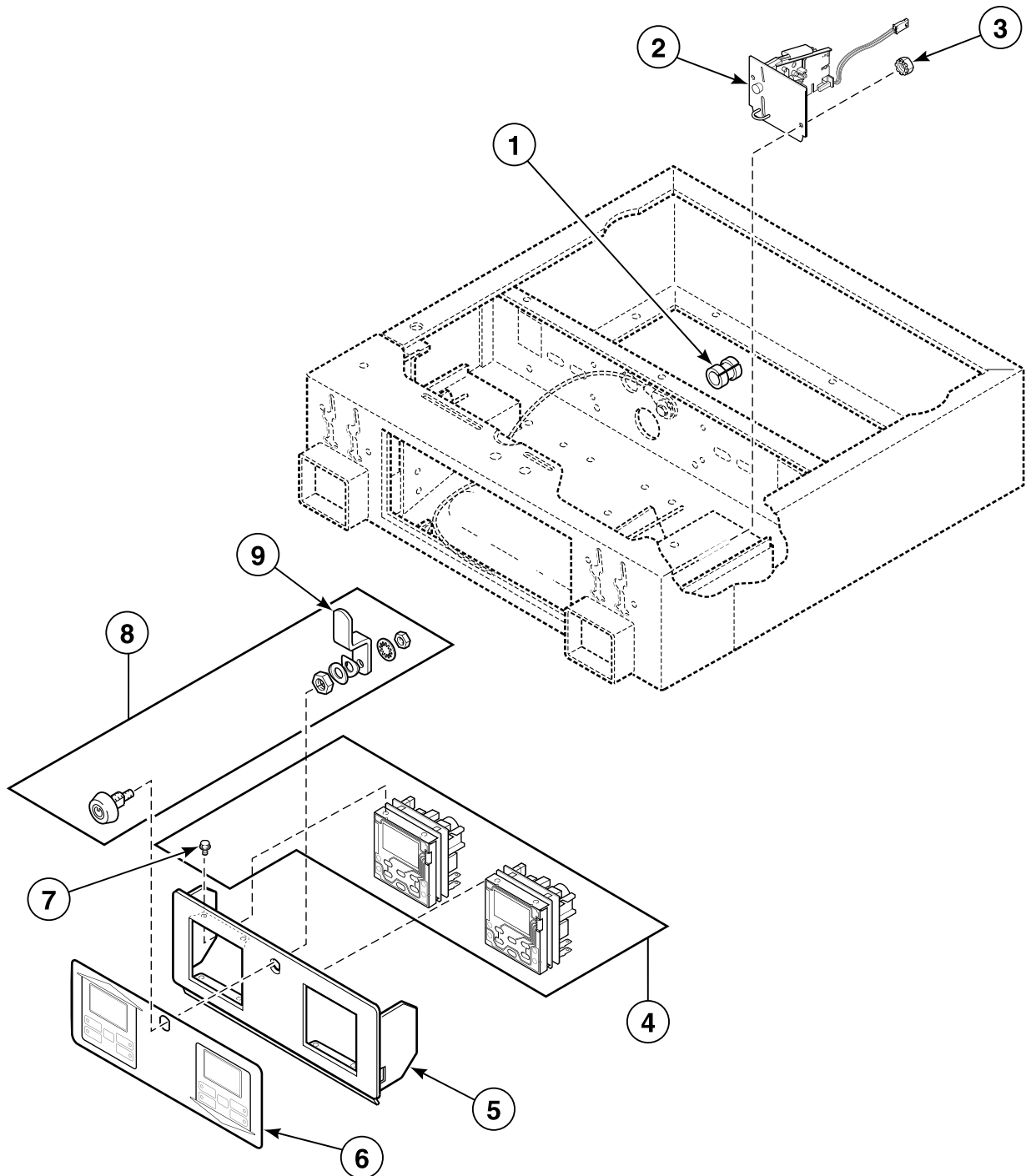
| REF | PART NO. | DESCRIPTION | COMMENTS |
|-----|----------|------------------------------------|--|
| | 760P3 | Stack Dryer Slide Extension Kit | Includes item 22 |
| 1 | 62113P | Counter Kit | Models SSE307*A, SSE307*A1500 and SSG309*A |
| 2 | 503017 | Timer Bracket | |
| 3 | 03203 | Screw | |
| 4 | 503661 | Screw | |
| 5 | 52113 | Strain Relief | Models HSG119*A, HSG119*C, SSG109*A, SSG119*A and SSG309*A |
| | N/A | Strain Relief | Models HSE117*A, HSE117*C, SSE107*A, SSE107*A1500, SSE117*A, SSE117*A1500, SSE307*A and SSE307*A1500 |
| 6 | 20530 | Screw | |
| 7 | 00161 | Grounding Clip | |
| 8 | 61512 | Fabric Selector Switch | |
| 9 | 91176 | Washer | |
| 10 | 55882 | Switch Assembly | Includes item 11 |
| 11 | 52947 | Nut | |
| 12 | 25820 | Washer | |
| 13 | 32464 | Light | |
| 14 | 500228W | Control Panel and Bracket Assembly | White |
| | 500228L | Control Panel and Bracket Assembly | Almond |
| 15 | 504590 | Graphic Overlay | Models SSE107*A, SSE107*A1500, SSE117*A, SSE117*A1500, SSE307*A, SSE307*A1500, SSG109*A, SSG119*A and SSG309*A |
| | 505381 | Overlay | Models HSE117*A, HSE117*C, HSG119*A and HSG119*C |
| 16 | 24205 | Nut | |
| 17 | 39897 | Switch Knob | |
| 18 | 27260P | Lock Kit | Includes item 19 |
| 19 | 27261 | Lock Cam | |
| 20 | 58181 | Coin Slide Guard | |
| 21 | 03950 | Screw | |
| 22 | 503455 | Coin Slide Extension | |

* Add Letter To Designate Color. L - Almond W - White

N/A = Part no longer available

Control Panel and Controls - Coin Drop

Models SSE407*A, SSE407*A1500, SSE407*D, SSE407*D1500, SSE417*A, SSE417*D, SSE507*A, SSE507*A1500, SSE517*A, SSE517*A1500, SSG409*A, SSG409*D, SSG419*A, SSG419*D, SSG509*A and SSG519*A



D351P_505028

Control Panel and Controls - Coin Drop

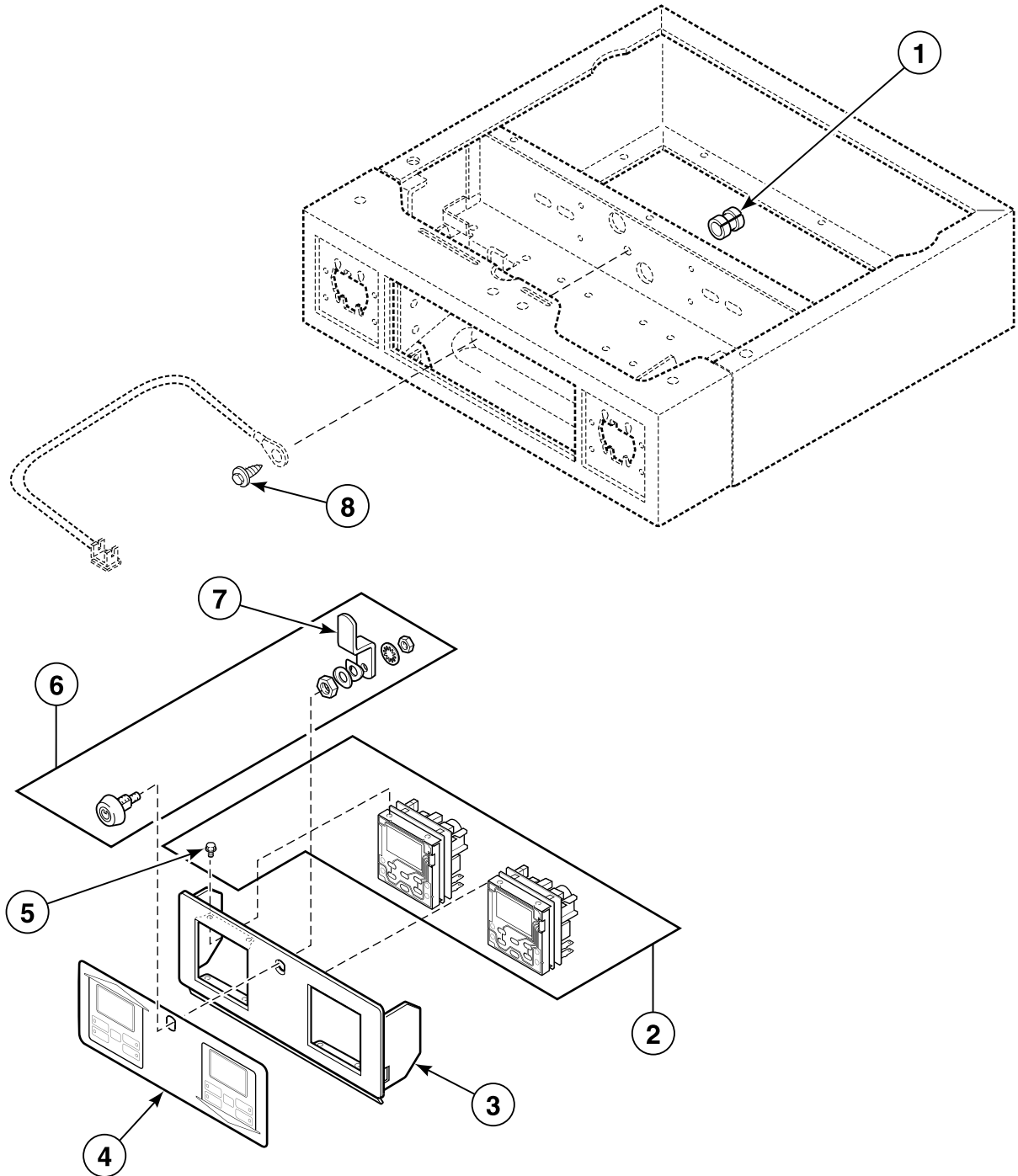
| REF | PART NO. | DESCRIPTION | COMMENTS |
|-----|----------|-----------------|--|
| 1 | 52113 | Strain Relief | Models SSG409*A, SSG409*D, SSG419*A, SSG419*D, SSG509*A and SSG519*A |
| | N/A | Strain Relief | Models SSE407*A, SSE407*A1500, SSE407*D, SSE407*D1500, SSE417*A, SSE417*D, SSE507*A, SSE507*A1500, SSE517*A and SSE517*A1500 |
| 2 | 38479P | Coin Drop | Models SSE507*A, SSE507*A1500, SSE517*A, SSE517*A1500, SSG509*A and SSG519*A |
| 3 | 29786 | Nut | |
| 4 | M414050P | Control Kit | Includes item 7 |
| 5 | N/A | Control Panel | |
| 6 | 504117 | Graphic Overlay | |
| 7 | 501524 | Screw | |
| 8 | 27260P | Lock Kit | Includes item 9 |
| 9 | 27261 | Lock Cam | |

* Add Letter To Designate Color. L - Almond W - White

N/A = Part no longer available

Control Panel and Controls - Card Reader Ready

Models SSE607*C, SSE607*C1500, SSE607*D, SSE607*D1500, SSE617*C, SSE617*D,
SSG609*C, SSG609*D, SSG619*C and SSG619*D



D352P_505028

Control Panel and Controls - Card Reader Ready

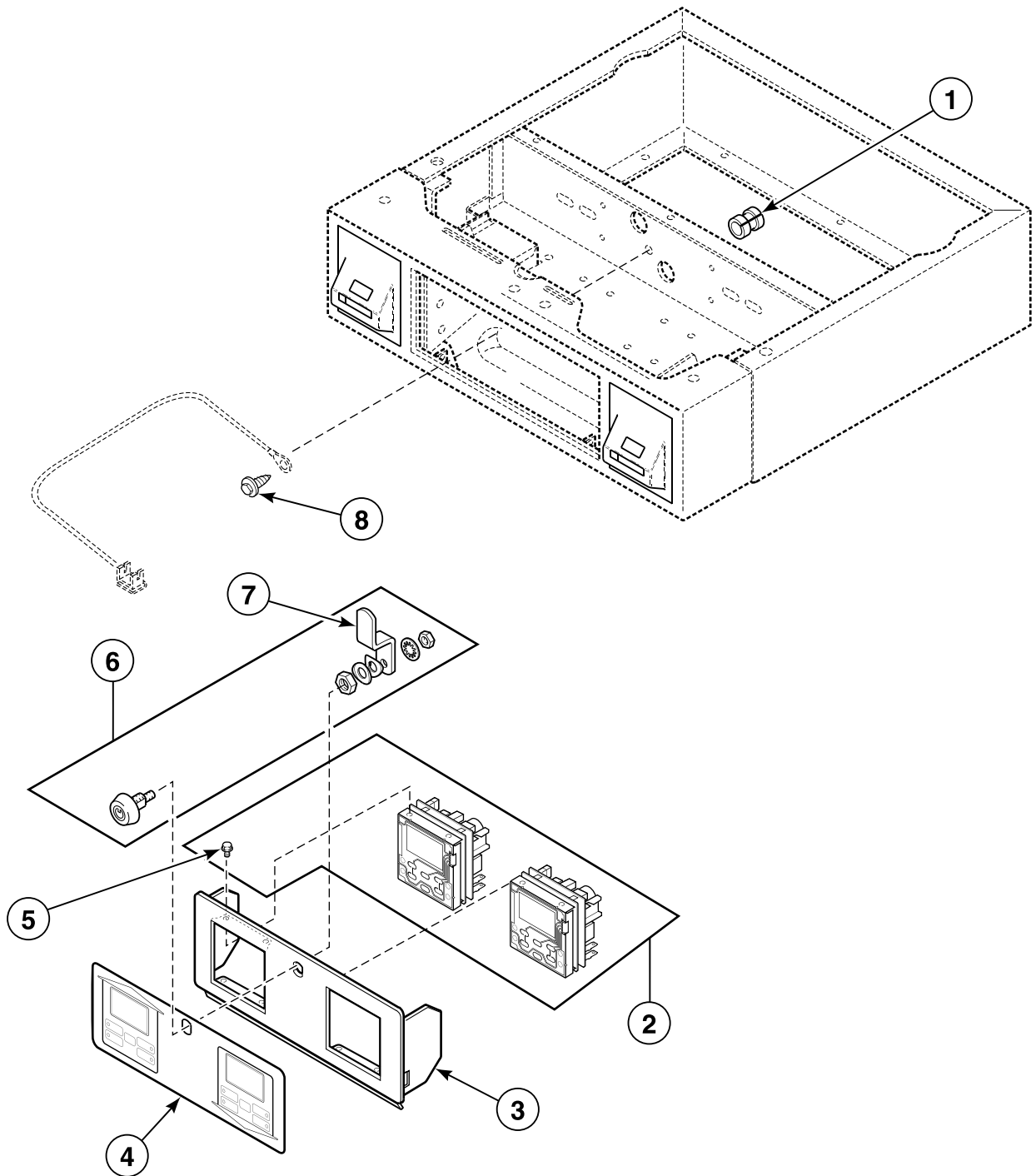
| REF | PART NO. | DESCRIPTION | COMMENTS |
|-----|----------|-----------------|--|
| 1 | 52113 | Strain Relief | Models SSG609*C, SSG609*D, SSG619*C and SSG619*D |
| | N/A | Strain Relief | Models SSE607*C, SSE607*C1500, SSE607*D, SSE607*D1500, SSE617*C and SSE617*D |
| 2 | M414050P | Control Kit | Includes item 5 |
| 3 | N/A | Control Panel | |
| 4 | 504117 | Graphic Overlay | |
| 5 | 501524 | Screw | |
| 6 | 27260P | Lock Kit | Includes item 7 |
| 7 | 27261 | Lock Cam | |
| 8 | 20530 | Screw | |

* Add Letter To Designate Color. L - Almond W - White

N/A = Part no longer available

Control Panel and Controls - Card Reader Installed

Models SSE707*A, SSE717*A, SSG709*A and SSG719*A



D353P_505028

Control Panel and Controls - Card Reader Installed

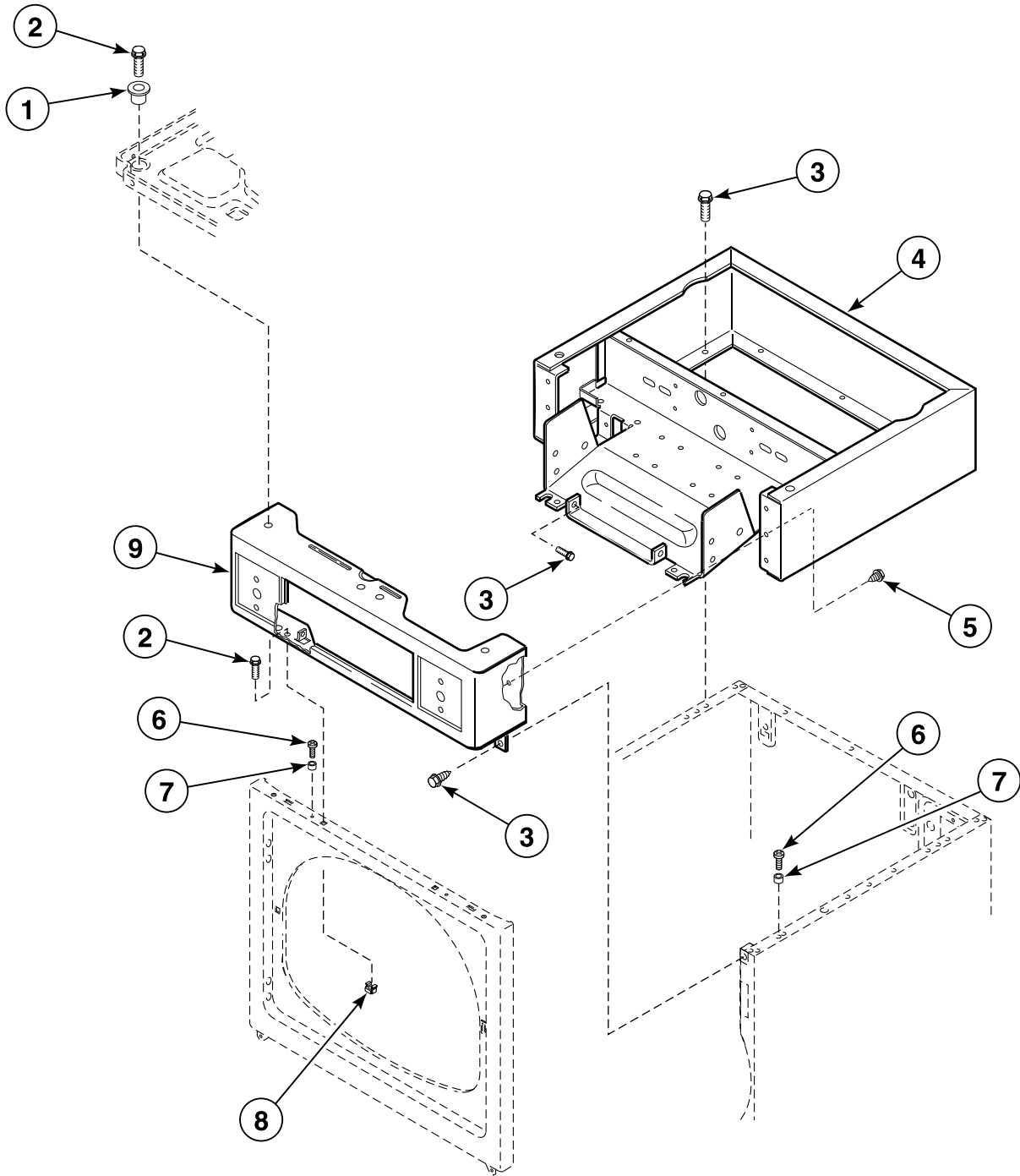
| REF | PART NO. | DESCRIPTION | COMMENTS |
|-----|----------|-----------------|------------------------------|
| 1 | 52113 | Strain Relief | Models SSG709*A and SSG719*A |
| | N/A | Strain Relief | Models SSE707*A and SSE717*A |
| 2 | M414050P | Control Kit | Includes item 5 |
| 3 | N/A | Control Panel | |
| 4 | 504117 | Graphic Overlay | |
| 5 | 501524 | Screw | |
| 6 | 27260P | Lock Kit | Includes item 7 |
| 7 | 27261 | Lock Cam | |
| 8 | 20530 | Screw | |

* Add Letter To Designate Color. L - Almond W - White

N/A = Part no longer available

Control Cabinet - Nonmetered

Models SSE007*A, SSE007*A1500, SSG009*A, USE007*A and USG009*A



D332P_505028

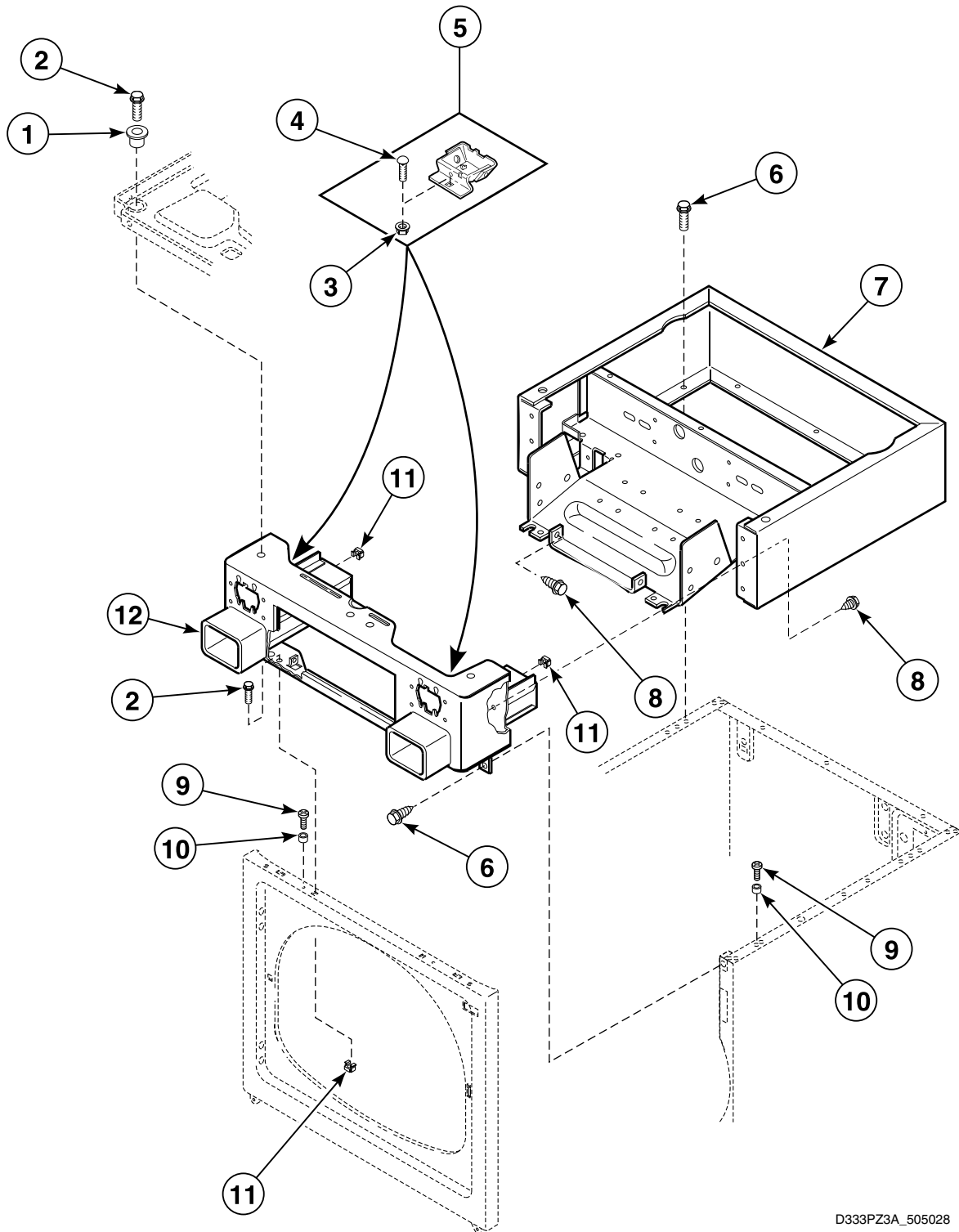
Control Cabinet - Nonmetered

| REF | PART NO. | DESCRIPTION | COMMENTS |
|-----|----------|------------------------------|----------|
| 1 | 501307 | Washer | |
| 2 | 502431 | Screw | |
| 3 | 503661 | Screw | |
| 4 | 505753W | Wrapper and Channel Assembly | White |
| | 505753L | Wrapper and Channel Assembly | Almond |
| 5 | 503688 | Screw | |
| 6 | 39733 | Screw | |
| 7 | 56079 | Panel Locator | |
| 8 | 80077 | Nut | |
| 9 | 500225WP | Security Cabinet Front | White |
| | 500225LP | Security Cabinet Front | Almond |

* Add Letter To Designate Color. L - Almond W - White

Control Cabinet - Coin Slide Ready

Models HSE117*A, HSE117*C, HSG119*A, HSG119*C, SSE107*A, SSE107*A1500, SSE117*A, SSE117*A1500, SSE307*A, SSE307*A1500, SSG109*A, SSG119*A and SSG309*A



D333PZ3A_505028

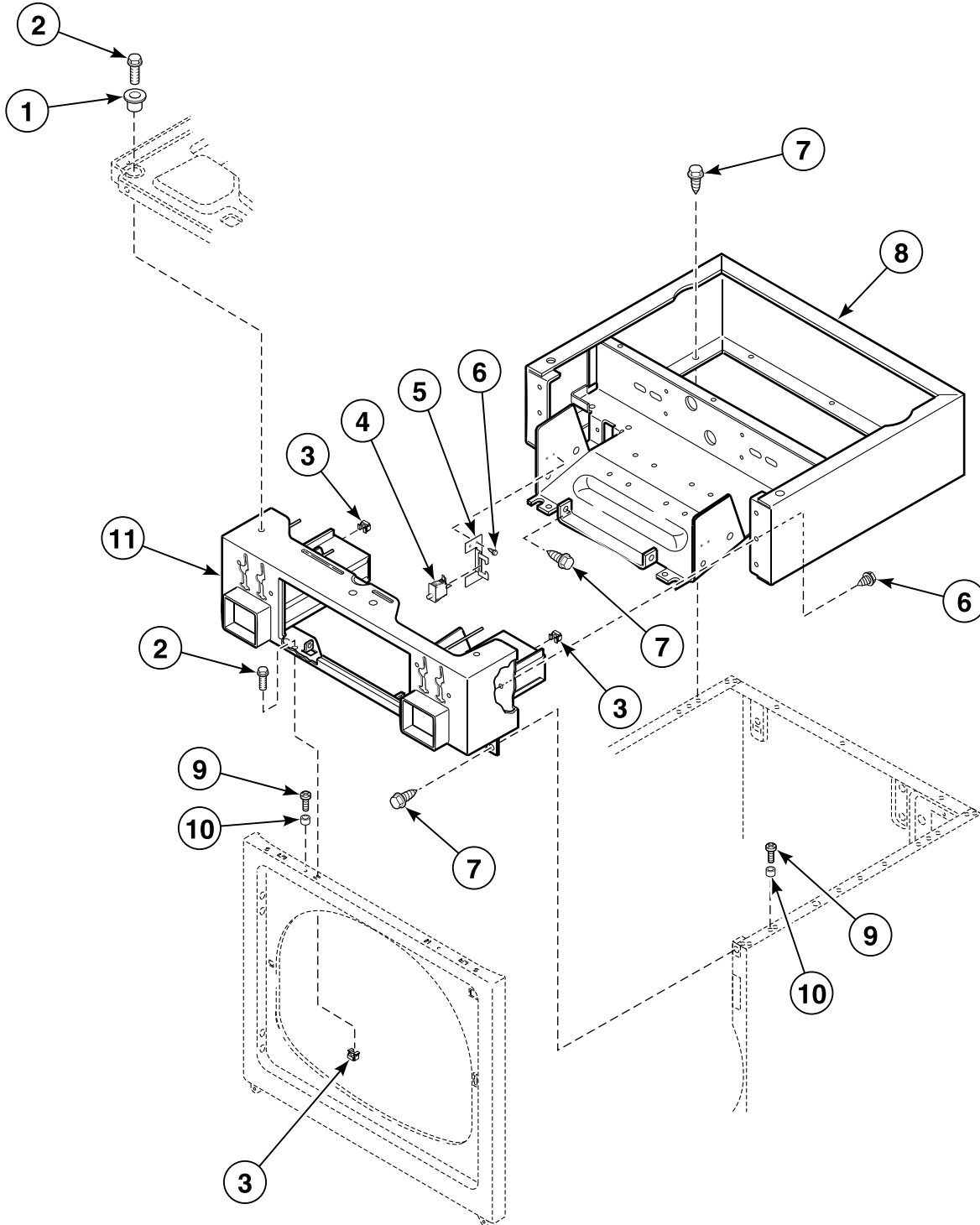
Control Cabinet - Coin Slide Ready

| REF | PART NO. | DESCRIPTION | COMMENTS |
|-----|----------|---------------------------------|------------------------|
| 1 | 501307 | Washer | |
| 2 | 502431 | Screw | |
| 3 | 29796 | Nut | |
| 4 | 29651 | Bolt | |
| 5 | 523P3 | Coin Funnel Kit | Includes items 3 and 4 |
| 6 | 503661 | Screw | |
| 7 | 505753W | Wrapper and Channel Assembly | White |
| | 505753L | Wrapper and Channel Assembly | Almond |
| 8 | 503688 | Screw | |
| 9 | 39733 | Screw | |
| 10 | 56079 | Panel Locator | |
| 11 | 80077 | Nut | |
| 12 | 511522WP | Security Cabinet Front Assembly | White |
| | 511522LP | Security Cabinet Front Assembly | Almond |

* Add Letter To Designate Color. L - Almond W - White

Control Cabinet - Coin Drop

Models SSE407*A, SSE407*A1500, SSE407*D, SSE407*D1500, SSE417*A, SSE417*D, SSE507*A, SSE507*A1500, SSE517*A, SSE517*A1500, SSG409*A, SSG409*D, SSG419*A, SSG419*D, SSG509*A and SSG519*A



D354P_505028

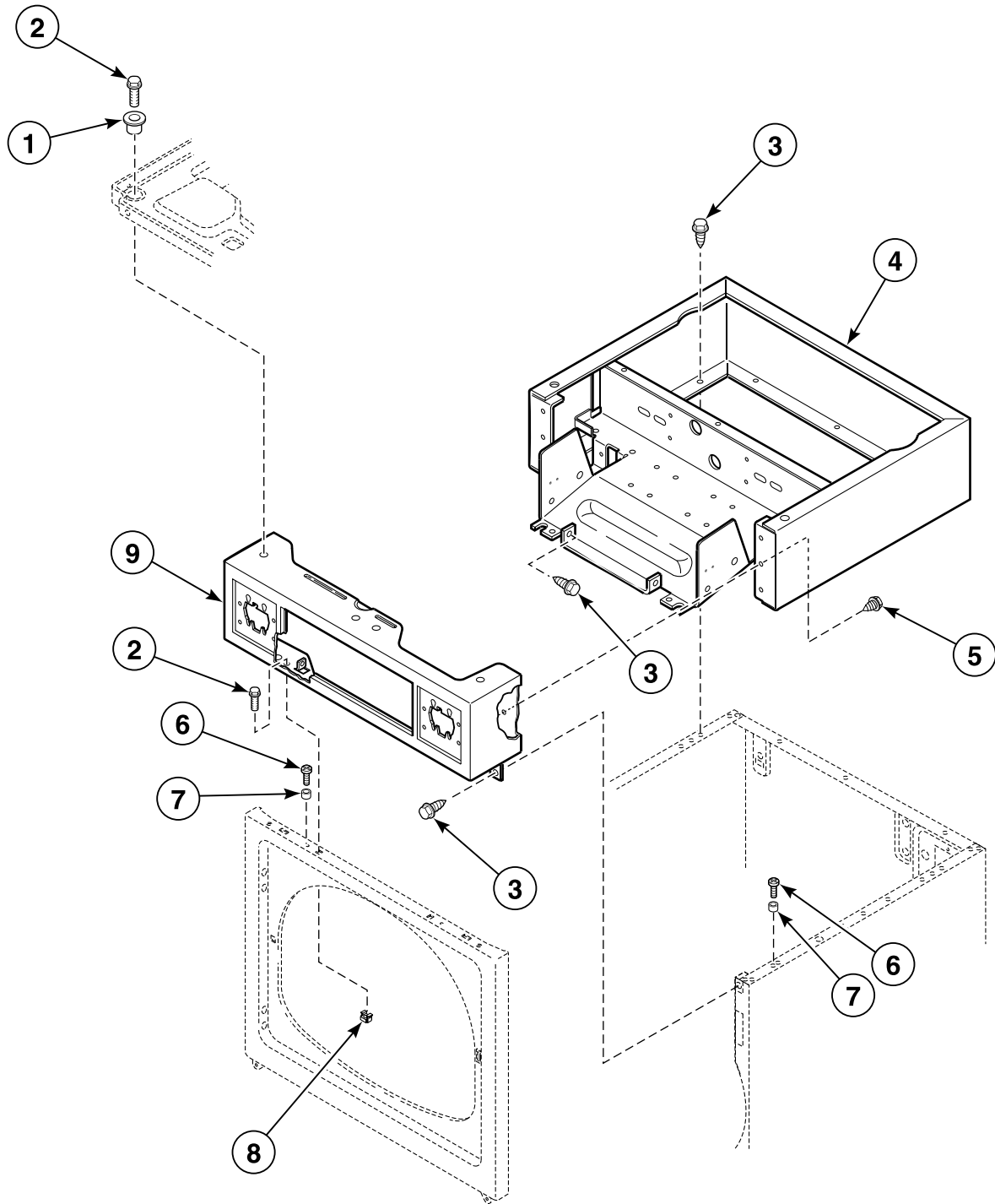
Control Cabinet - Coin Drop

| REF | PART NO. | DESCRIPTION | COMMENTS |
|-----|----------|---------------------------------|----------|
| 1 | 501307 | Washer | |
| 2 | 502431 | Screw | |
| 3 | 80077 | Nut | |
| 4 | 504570 | Switch | |
| 5 | 38087 | Door Switch Bracket | |
| 6 | 503688 | Screw | |
| 7 | 503661 | Screw | |
| 8 | 505753W | Wrapper and Channel Assembly | White |
| | 505753L | Wrapper and Channel Assembly | Almond |
| 9 | 39733 | Screw | |
| 10 | 56079 | Panel Locator | |
| 11 | 511632WP | Security Cabinet Front Assembly | White |

* Add Letter To Designate Color. L - Almond W - White

Control Cabinet - Card Reader Ready

Models SSE607*C, SSE607*C1500, SSE607*D, SSE607*D1500, SSE617*C, SSE617*D,
SSG609*C, SSG609*D, SSG619*C and SSG619*D



D355P_505028

Control Cabinet - Card Reader Ready

| REF | PART NO. | DESCRIPTION | COMMENTS |
|-----|----------|---------------------------------|----------|
| 1 | 501307 | Washer | |
| 2 | 502431 | Screw | |
| 3 | 503661 | Screw | |
| 4 | 505753W | Wrapper and Channel Assembly | White |
| | 505753L | Wrapper and Channel Assembly | Almond |
| 5 | 503688 | Screw | |
| 6 | 39733 | Screw | |
| 7 | 56079 | Panel Locator | |
| 8 | 80077 | Nut | |
| 9 | 505227W | Security Cabinet Front Assembly | White |
| | 505227L | Security Cabinet Front Assembly | Almond |

* Add Letter To Designate Color. L - Almond W - White

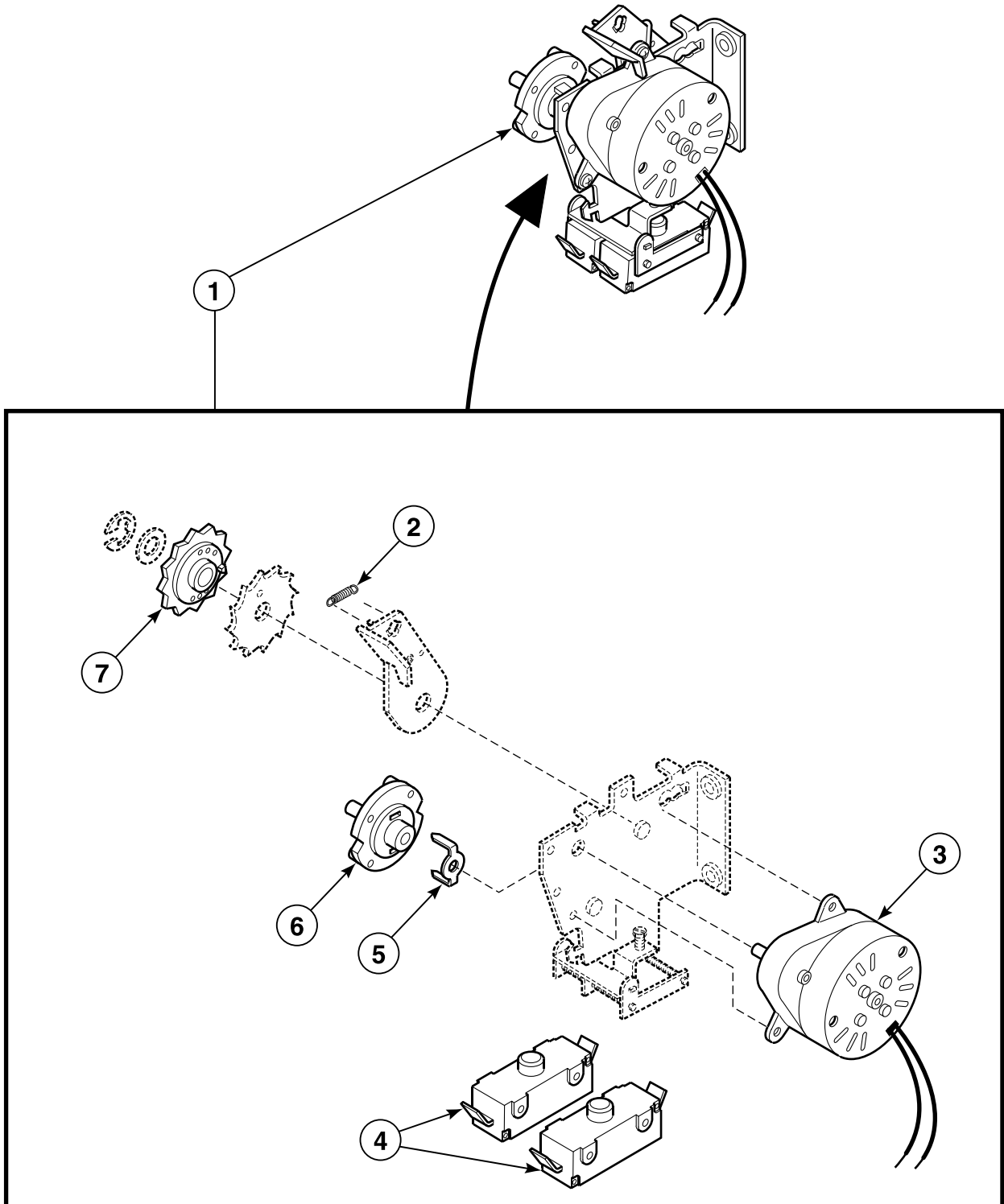
Control Cabinet - Card Reader Installed

| REF | PART NO. | DESCRIPTION | COMMENTS |
|-----|----------|---------------------------------|--|
| 1 | 501307 | Washer | |
| 2 | 502431 | Screw | |
| 3 | 512473 | Card Reader | |
| 4 | 512505 | Bolt | |
| 5 | 512501 | Harness | |
| 6 | 875P3 | Card Reader Kit | Includes items 3-5, 15 and 16 |
| 7 | 503661 | Screw | |
| 8 | 505753W | Wrapper and Channel Assembly | White |
| | 505753L | Wrapper and Channel Assembly | Almond |
| 9 | 503688 | Screw | |
| 10 | 39733 | Screw | |
| 11 | 56079 | Panel Locator | |
| 12 | 80077 | Nut | |
| 13 | 38192 | Card Reader Instruction Overlay | |
| 14 | 503428W | Security Cabinet Front Assembly | White; For use with 39685 Card Reader |
| | 505227W | Security Cabinet Front Assembly | White; For use with 875P3 Card Reader Kit |
| | 505227L | Security Cabinet Front Assembly | Almond; For use with 875P3 Card Reader Kit |
| 15 | 512499P | Programming Card | |
| 16 | 512496 | Power Supply | |

* Add Letter To Designate Color. L - Almond W - White

2 Switch Timer

Models HSE117*A, HSE117*C, HSG119*A, HSG119*C, SSE107*A, SSE107*A1500,
SSE117*A, SSE117*A1500, SSG109*A and SSG119*A



D362P_505028

2 Switch Timer

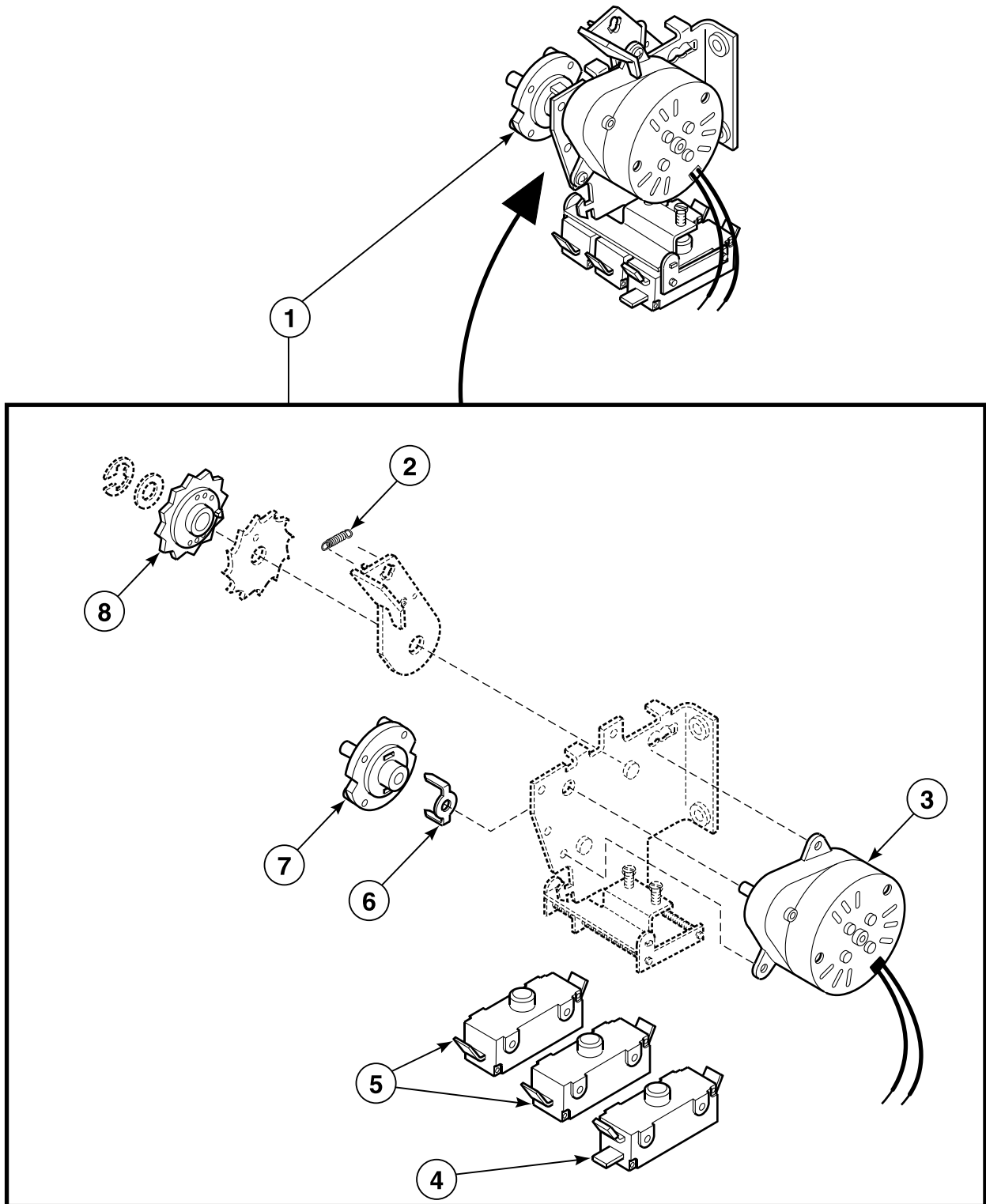
| REF | PART NO. | DESCRIPTION | COMMENTS |
|-----|----------|-----------------------------|------------------|
| 1 | 510628P | Accumulator Replacement Kit | |
| 2 | 53244 | Pawl Spring | |
| 3 | 512017P | Timer Motor | |
| 4 | N/A | Switch | |
| 5 | M400754 | Coin Meter Drive | |
| 6 | 53240 | Timing Cam | 60 minute; 3 pin |
| | 53241 | Timing Cam | 45 minute; 4 pin |
| | 53242 | Timing Cam | 30 minute; 6 pin |
| | 53243 | Timing Cam | 20 minute; 9 pin |
| 7 | 53239 | Ratchet Wheel | |

* Add Letter To Designate Color. L - Almond W - White

N/A = Part no longer available

3 Switch Timer

Models SSE307*A, SSE307*A1500 and SSG309*A



D363P_505028

3 Switch Timer

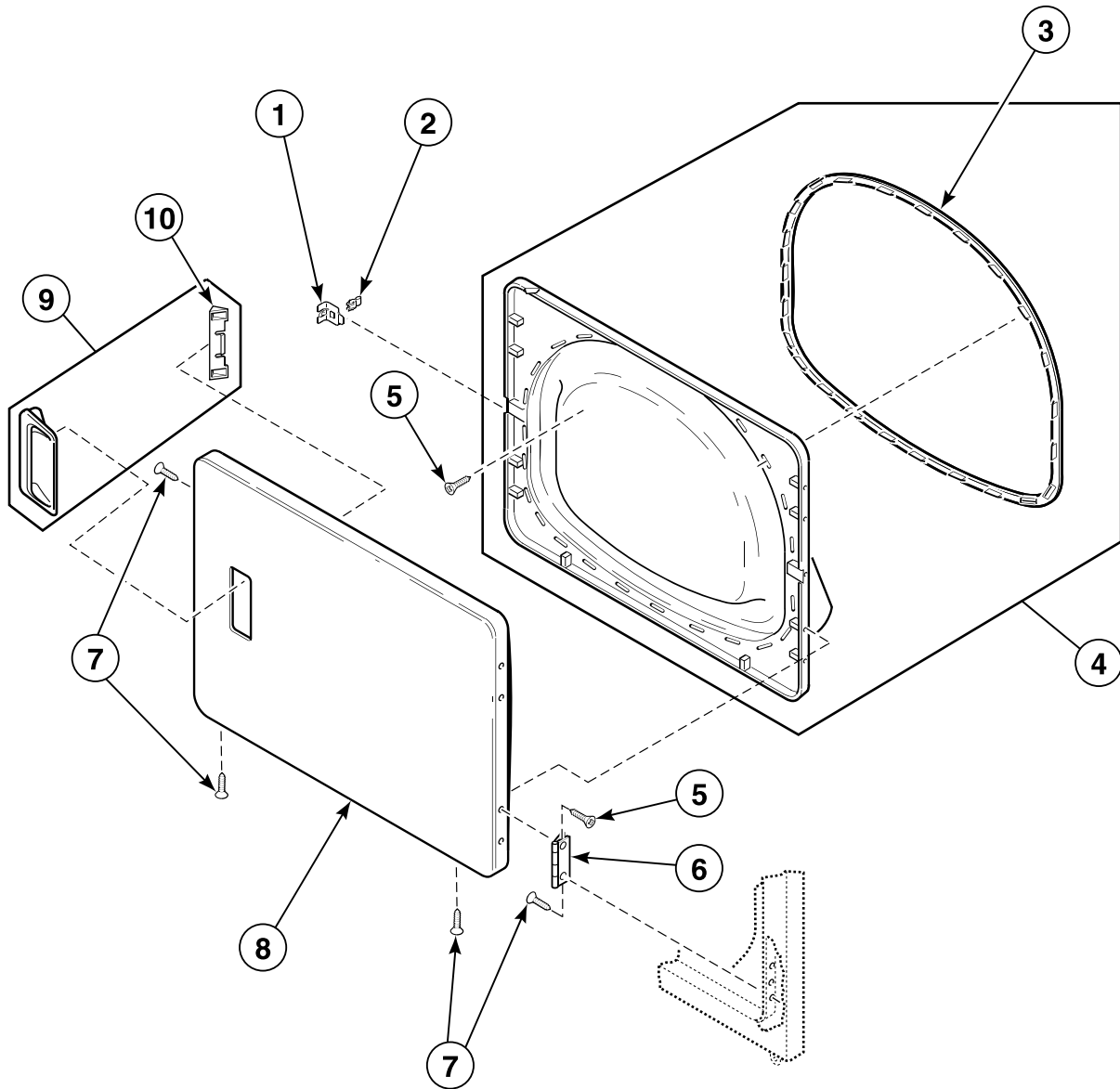
| REF | PART NO. | DESCRIPTION | COMMENTS |
|-----|----------|-----------------------------|------------------|
| 1 | 510630P | Accumulator Replacement Kit | |
| 2 | 53244 | Pawl Spring | |
| 3 | 512017P | Timer Motor | |
| 4 | 61468 | Snap Switch | |
| 5 | N/A | Switch | |
| 6 | M400754 | Coin Meter Drive | |
| 7 | 53240 | Timing Cam | 60 minute; 3 pin |
| | 53241 | Timing Cam | 45 minute; 4 pin |
| | 53242 | Timing Cam | 30 minute; 6 pin |
| | 53243 | Timing Cam | 20 minute; 9 pin |
| 8 | 53239 | Ratchet Wheel | |

* Add Letter To Designate Color. L - Almond W - White

N/A = Part no longer available

Loading Door without Window

Models SSE007*A, SSE007*A1500, SSE107*A, SSE107*A1500, SSE307*A, SSE307*A1500, SSE407*A, SSE407*A1500, SSE407*D, SSE407*D1500, SSE507*A, SSE507*A1500, SSE607*C, SSE607*C1500, SSE607*D, SSE607*D1500, SSE707*A, SSG009*A, SSG109*A, SSG309*A, SSG409*A, SSG409*D, SSG509*A, SSG609*C, SSG609*D, SSG709*A, USE007*A and USG009*A



DRY1737P_505028

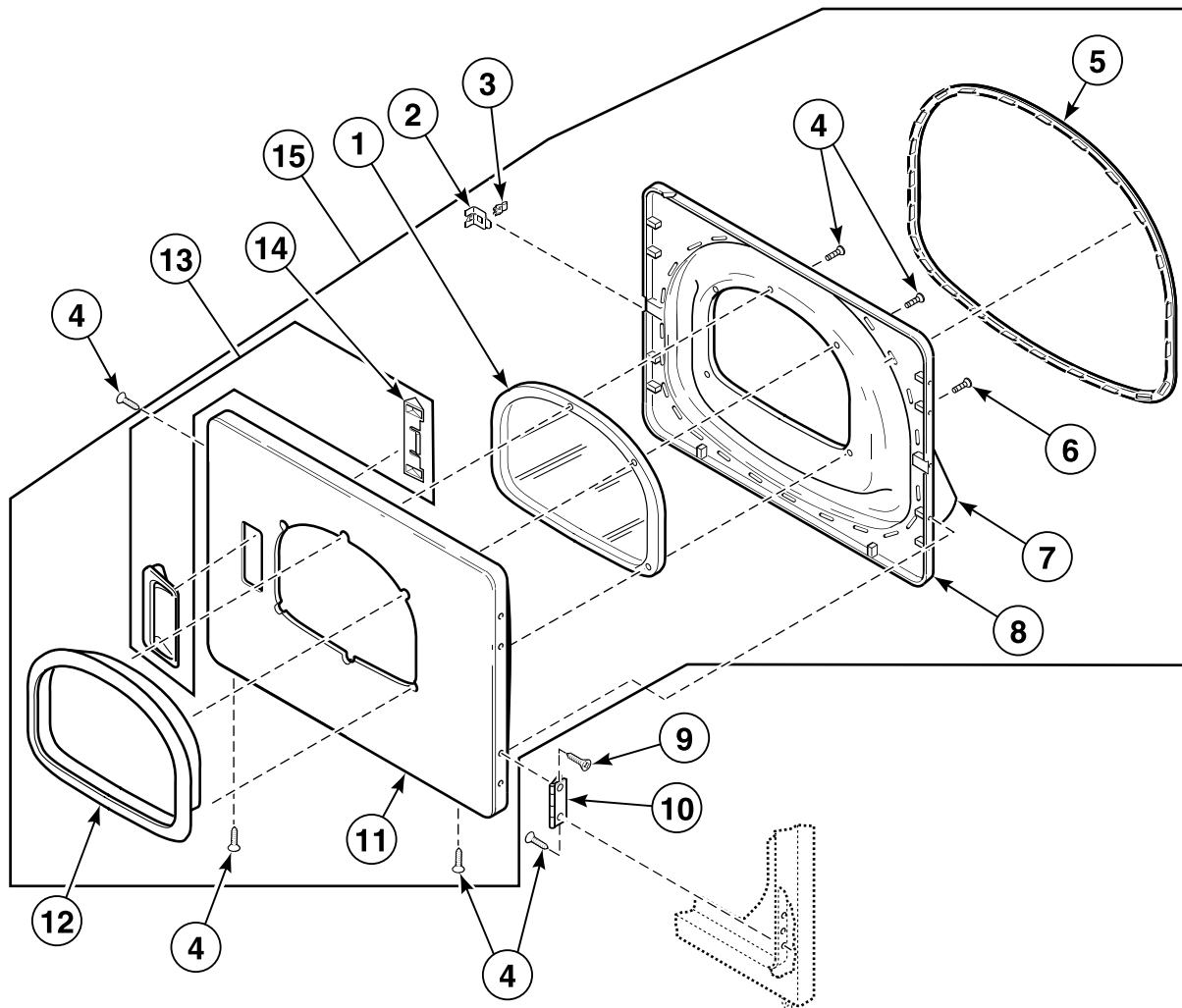
Loading Door without Window

| REF | PART NO. | DESCRIPTION | COMMENTS |
|-----|----------|--------------------------------|--------------------------|
| 1 | 510127 | Door Strike Mount | |
| 2 | 510181 | Door Strike | |
| 3 | 510147P | Liner Door Seal | |
| 4 | 510163WP | Liner, Seal and Grill Assembly | Includes item 3 |
| 5 | 505295 | Screw | |
| 6 | 511036 | Hinge | |
| 7 | 500226 | Screw | |
| 8 | 510013WP | Dryer Door | White |
| | 510013LP | Dryer Door | Almond |
| 9 | 510103WP | Door Pull and Wedge Kit | Includes item 10; White |
| | 510103LP | Door Pull and Wedge Kit | Includes item 10; Almond |
| 10 | 510129 | Door Handle Wedge | |

* Add Letter To Designate Color. L - Almond W - White

Loading Door with Window

Models HSE117*A, HSE117*C, HSG119*A, HSG119*C, SSE117*A, SSE117*A1500, SSE417*A, SSE417*D, SSE517*A, SSE517*A1500, SSE617*C, SSE617*D, SSE717*A, SSG119*A, SSG419*A, SSG419*D, SSG519*A, SSG619*C, SSG619*D and SSG719*A



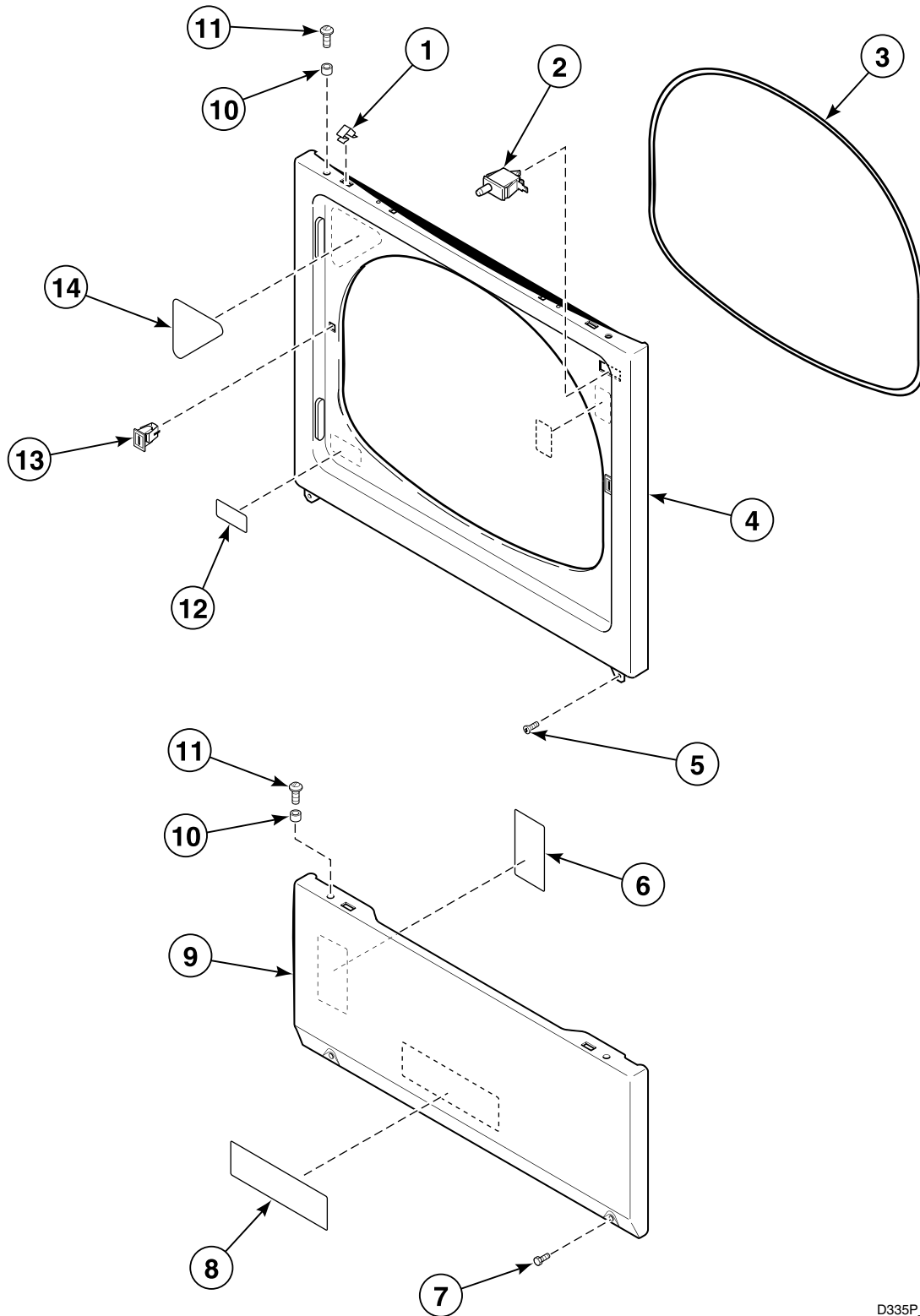
D357P_505028

Loading Door with Window

| REF | PART NO. | DESCRIPTION | COMMENTS |
|-----|----------|-------------------------|--------------------------------------|
| 1 | 503982 | Dryer Door Window | |
| 2 | 510127 | Door Strike Mount | |
| 3 | 510181 | Door Strike | |
| 4 | 500226 | Screw | |
| 5 | 510147P | Liner Door Seal | |
| 6 | 505870 | Screw | |
| 7 | 503870W | Door Liner Grill | |
| 8 | 510098W | Liner and Seal Assembly | Includes item 5 |
| 9 | 505295 | Screw | |
| 10 | 511036 | Hinge | |
| 11 | 510082WP | Dryer Door | White |
| | 510082LP | Dryer Door | Almond |
| 12 | 503981W | Window Trim | White |
| | 503981L | Window Trim | Almond |
| 13 | 510103WP | Door Pull and Wedge Kit | Includes item 14; White |
| | 510103LP | Door Pull and Wedge Kit | Includes item 14; Almond |
| 14 | 510129 | Door Handle Wedge | |
| 15 | 511636WP | Door and Liner Assembly | White; Includes items 1-8 and 11-14 |
| | 511636LP | Door and Liner Assembly | Almond; Includes items 1-8 and 11-14 |

* Add Letter To Designate Color. L - Almond W - White

Access Panel, Front Panel and Seal



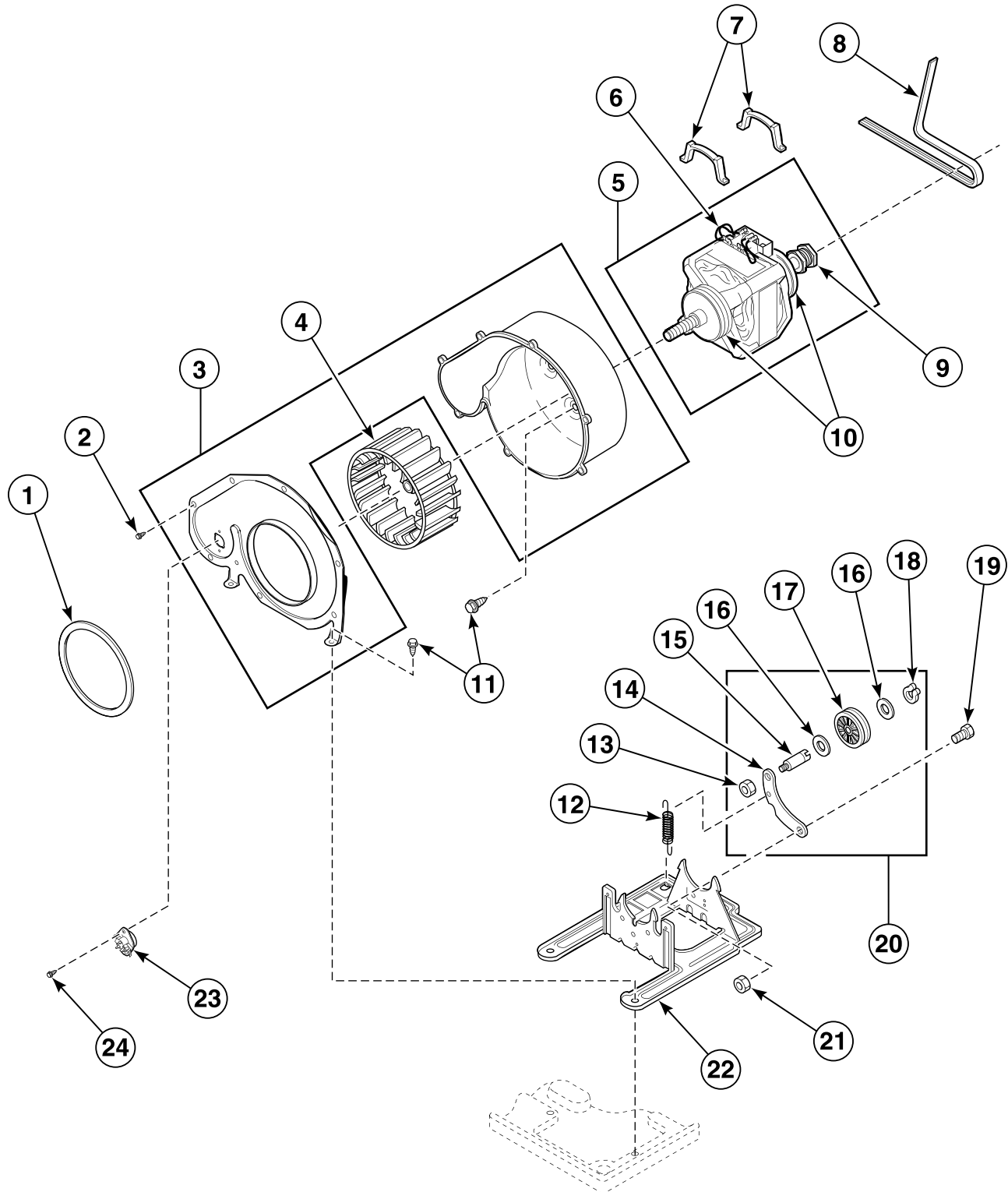
D335P_505028

Access Panel, Front Panel and Seal

| REF | PART NO. | DESCRIPTION | COMMENTS |
|-----------|----------|----------------------------|--|
| | 282P4 | Torx Bit | Use with 62853 Screw |
| | 24161 | Bit Holder | Use with 62853 Screw |
| 1 | 28835 | Speed Clip | Upper dryer |
| 2 | 504570 | Switch | |
| 3 | 511056 | Front Panel Seal | |
| 4 | 510066WP | Front Panel | White |
| | 510066LP | Front Panel | Almond |
| 5 | 503661 | Screw | |
| 6 | 502791 | Venting Instruction Label | Gas models |
| 7 | 33562 | Screw | |
| | 62853 | Screw | Optional for added security |
| 8 | 500498 | Instructions for Use Label | Models SSE007*A, SSE007*A1500, SSG009*A, USE007*A and USG009*A |
| 9 | 510069WP | Access Panel | White |
| | 510069LP | Access Panel | Almond |
| 10 | 56079 | Panel Locator | |
| 11 | 39733 | Screw | |
| 12 | 502804 | Clean Lint Label | |
| 13 | 510177 | Door Catch Assembly | |
| 14 | 500281 | Warning/Caution Label | |

* Add Letter To Designate Color. L - Almond W - White

Motor, Exhaust Fan and Belt



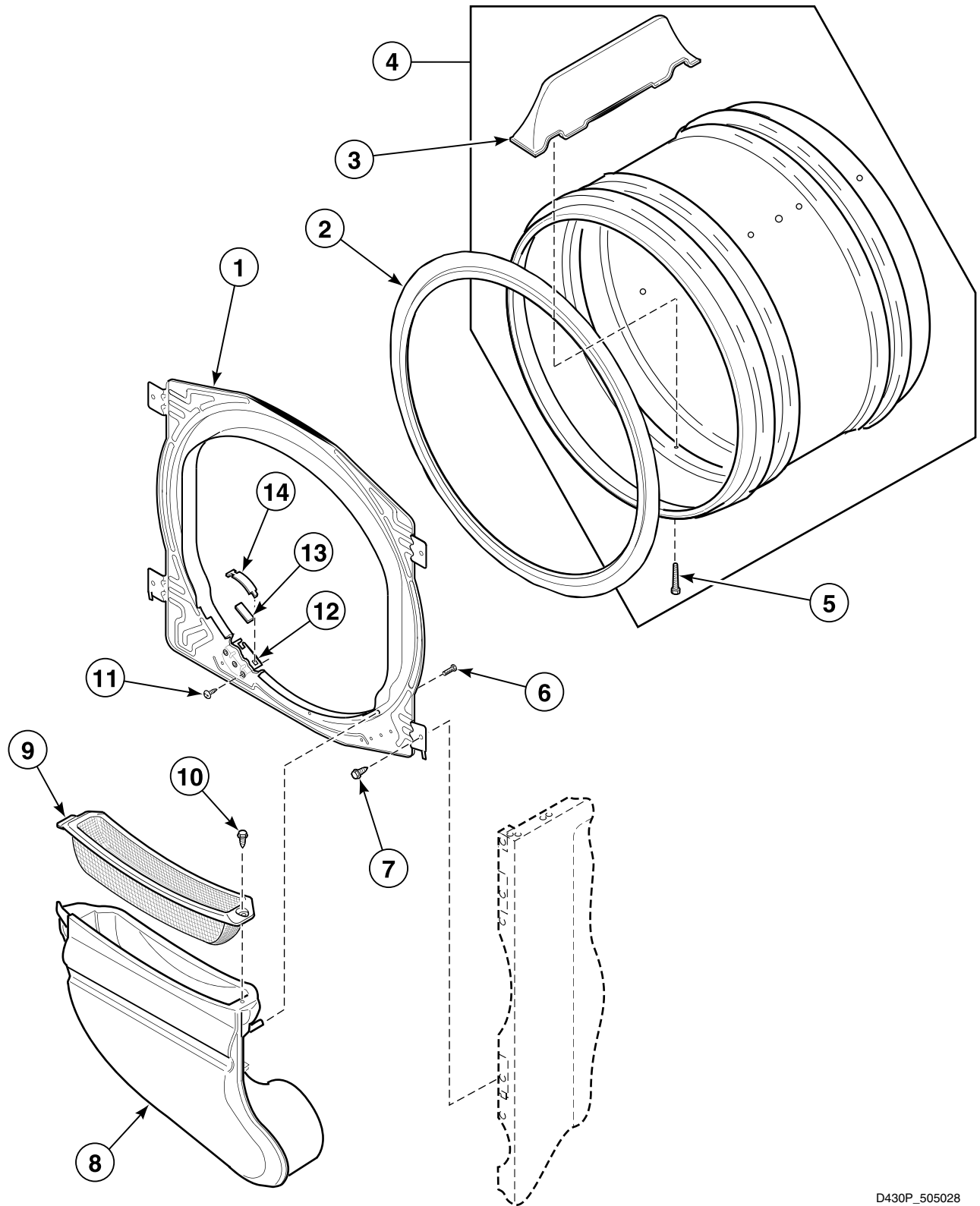
D320P_505028

Motor, Exhaust Fan and Belt

| REF | PART NO. | DESCRIPTION | COMMENTS |
|-----|----------|----------------------------------|---|
| | 510717P | Blower and Fan Kit | Includes items 1-7 and 9-22 |
| 1 | 510238P | Blower Housing Seal | |
| 2 | 31260 | Screw | |
| 3 | 511969P | Blower Housing and Cover Kit | Includes 7 of item 2 |
| 4 | 510139P | Blower Fan Assembly | |
| 5 | 511629P | Motor and Pulley Assembly | Includes items 6, 9 and 10 |
| 6 | 501218P | Motor Switch Kit | Does not include thermal protector |
| 7 | 510180 | Motor Mount Clamp | |
| 8 | 511255P | Cylinder Belt | |
| 9 | 500011 | Motor Pulley | |
| 10 | 590P3 | Motor Hub Ring Kit | |
| 11 | 503661 | Screw | |
| 12 | 510185 | Idler Spring | |
| 13 | 56156 | Nut | |
| 14 | 510133 | Idler Lever | |
| 15 | 56461P | Shaft | |
| 16 | 52549 | Washer | |
| 17 | 510142P | Idler Wheel and Bearing Assembly | |
| 18 | 23748 | Retaining Ring | |
| 19 | 500824 | Screw | |
| 20 | 510158 | Idler Lever and Wheel Assembly | Includes items 13-16 and 18 |
| 21 | 52566 | Nut | |
| 22 | 510060 | Motor Mount | |
| 23 | 504515 | Thermostat | Green; Models HSE117*A, HSE117*C, HSG119*A, HSG119*C, SSE007*A, SSE007*A1500, SSE107*A, SSE107*A1500, SSE117*A, SSE117*A1500, SSE307*A, SSE307*A1500, SSG009*A, SSG109*A, SSG119*A, SSG309*A, USE007*A and USG009*A |
| | 510523 | Thermistor Assembly | Black; Models SSE407*A, SSE407*A1500, SSE407*D, SSE407*D1500, SSE417*A, SSE417*D, SSE507*A, SSE507*A1500, SSE517*A, SSE517*A1500, SSE607*C, SSE607*C1500, SSE607*D, SSE607*D1500, SSE617*C, SSE617*D, SSE707*A, SSE717*A, SSG409*A, SSG409*D, SSG419*A, SSG419*D, SSG509*A, SSG519*A, SSG609*C, SSG609*D, SSG619*C, SSG619*D, SSG709*A and SSG719*A |
| 24 | 33561 | Screw | Use with 510523 Thermistor Assembly |

* Add Letter To Designate Color. L - Almond W - White

Front Bulkhead, Air Duct, Felt Seal and Cylinder



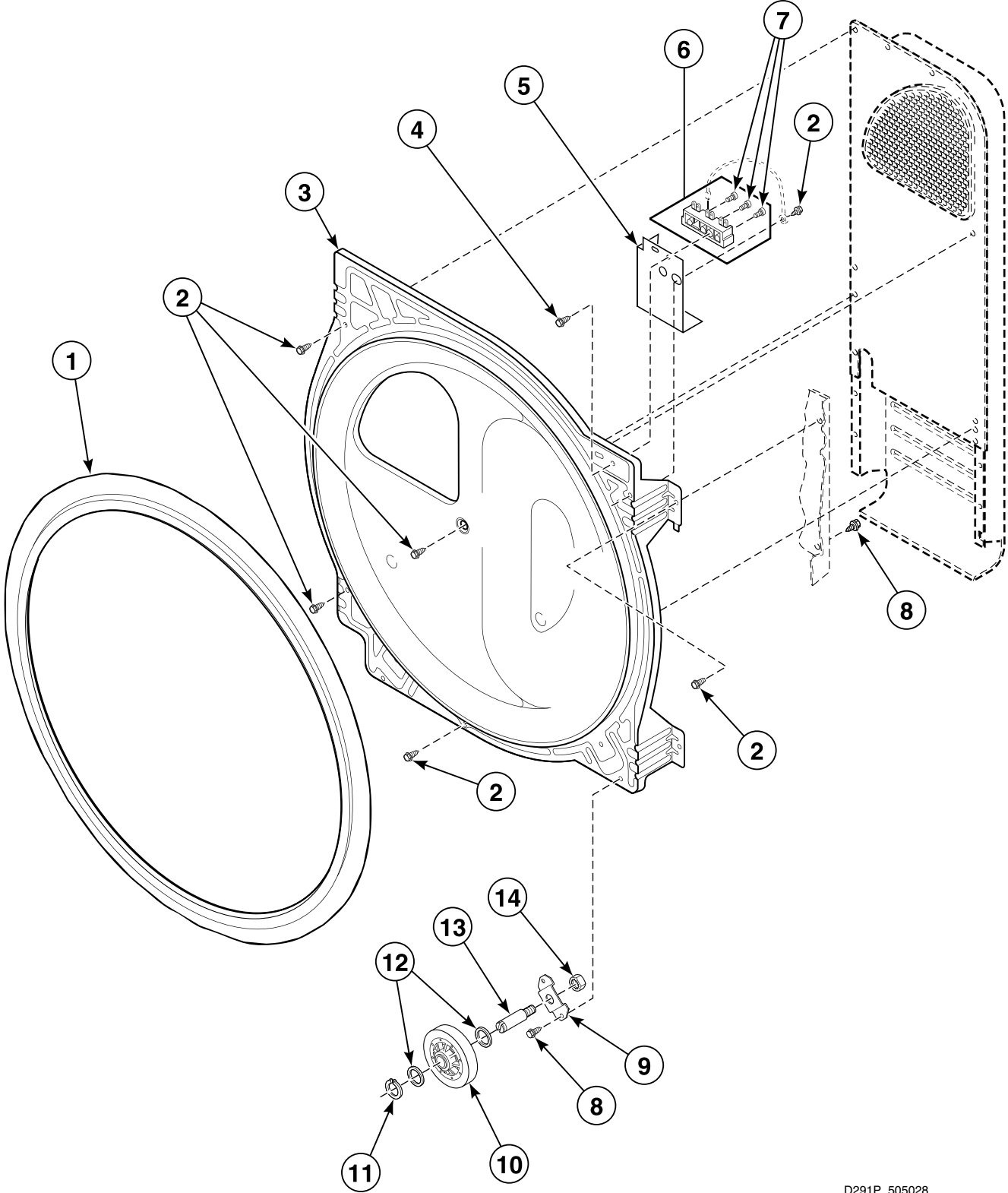
D430P_505028

Front Bulkhead, Air Duct, Felt Seal and Cylinder

| REF | PART NO. | DESCRIPTION | COMMENTS |
|-----|----------|-------------------------|--|
| | 511637 | Adhesive | |
| 1 | 510266P | Front Bulkhead Assembly | |
| 2 | 510207P | Cylinder Seal Assembly | |
| 3 | 503703P | Cylinder Baffle | |
| 4 | 510265P | Cylinder Assembly | Includes (3) of item 3 and (6) of item 5 |
| 5 | 62588 | Screw | |
| 6 | 500226 | Screw | |
| 7 | 503688 | Screw | |
| 8 | 510151 | Air Duct Assembly | |
| 9 | 503980 | Lint Filter | |
| 10 | 501285 | Screw | |
| 11 | 70058501 | Pop Rivet | |
| 12 | 510145 | Cylinder Glide Bracket | |
| 13 | 510189 | Felt Pad | |
| 14 | 510187 | Cylinder Glide | 2 required per side |

* Add Letter To Designate Color. L - Almond W - White

Rear Bulkhead, Felt Seal, Cylinder Roller and Terminal Block



D291P_505028

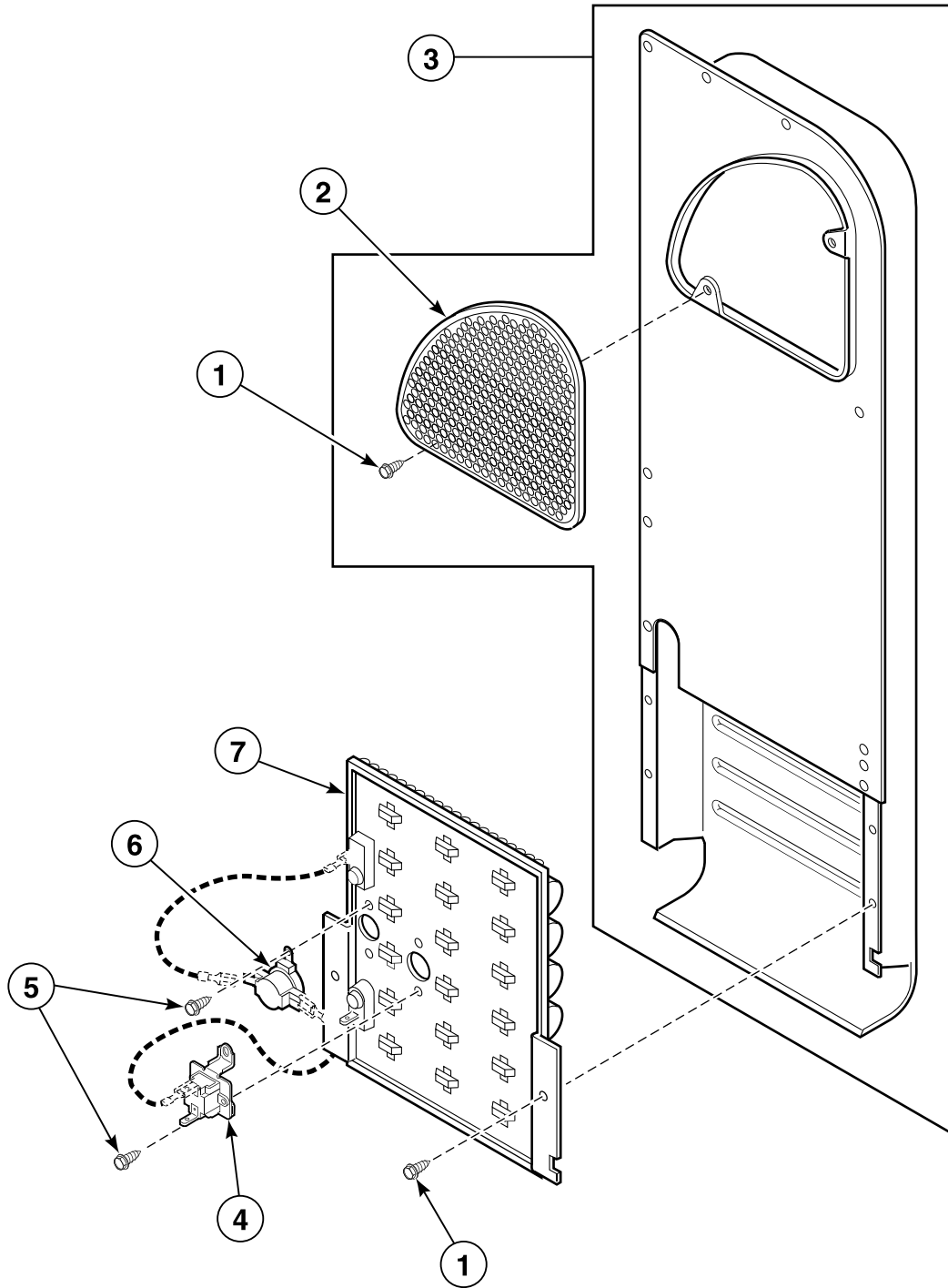
Rear Bulkhead, Felt Seal, Cylinder Roller and Terminal Block

| REF | PART NO. | DESCRIPTION | COMMENTS |
|-----|----------|-------------------------|---------------------------------------|
| | 511637 | Adhesive | |
| 1 | 510207P | Cylinder Seal Assembly | |
| 2 | 503661 | Screw | |
| 3 | 511082P | Rear Bulkhead Assembly | |
| 4 | 501285 | Screw | |
| 5 | 510237 | Terminal Block Shield | Electric models |
| 6 | 510190P | Terminal Block Assembly | Electric models; Includes 3 of item 7 |
| 7 | 61199 | Screw | |
| 8 | 503688 | Screw | |
| 9 | 510100 | Cylinder Roller Bracket | |
| 10 | 510708P | Cylinder Roller | |
| 11 | 23748 | Retaining Ring | |
| 12 | 52549 | Washer | |
| 13 | 56461P | Shaft | |
| 14 | 56156 | Nut | |

* Add Letter To Designate Color. L - Almond W - White

Heater Duct and Element Assembly

Electric Models



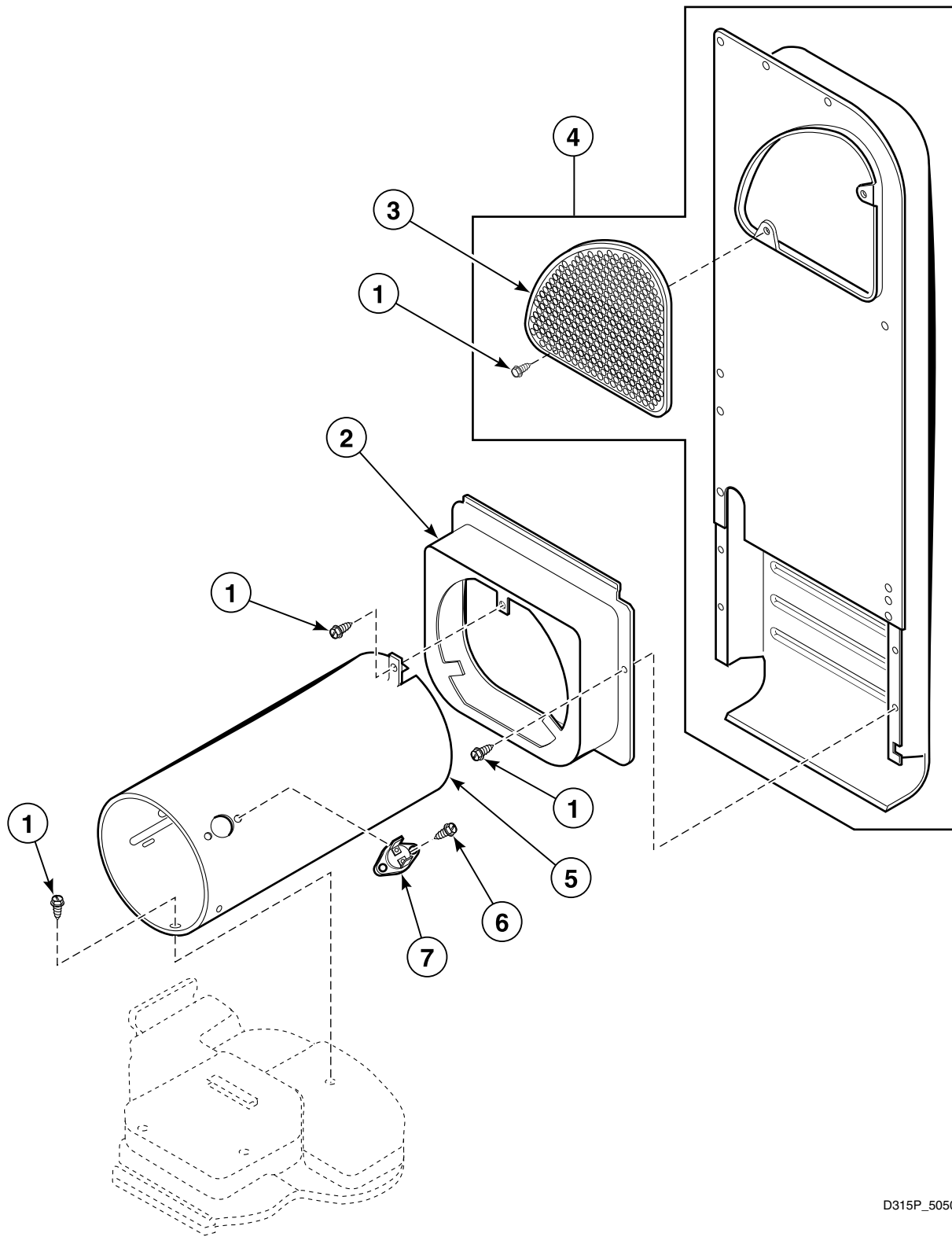
D350P_505028

Heater Duct and Element Assembly

| REF | PART NO. | DESCRIPTION | COMMENTS |
|-----|----------|--------------------------------|-----------------------------------|
| 1 | 503688 | Screw | |
| 2 | 500820 | Outlet Cover | |
| 3 | 510025P | Heater Duct and Screw Assembly | Includes item 2 and (2) of item 1 |
| 4 | 511412 | Thermal Fuse Assembly | |
| 5 | 23222 | Screw | |
| 6 | 510701 | Limit Thermostat | |
| 7 | 510329P | Heater Assembly | Orange |
| | 61928 | Heater Kit Assembly | 208 Volt; Includes items 4-6 |

Heater Duct Assembly

Gas Models



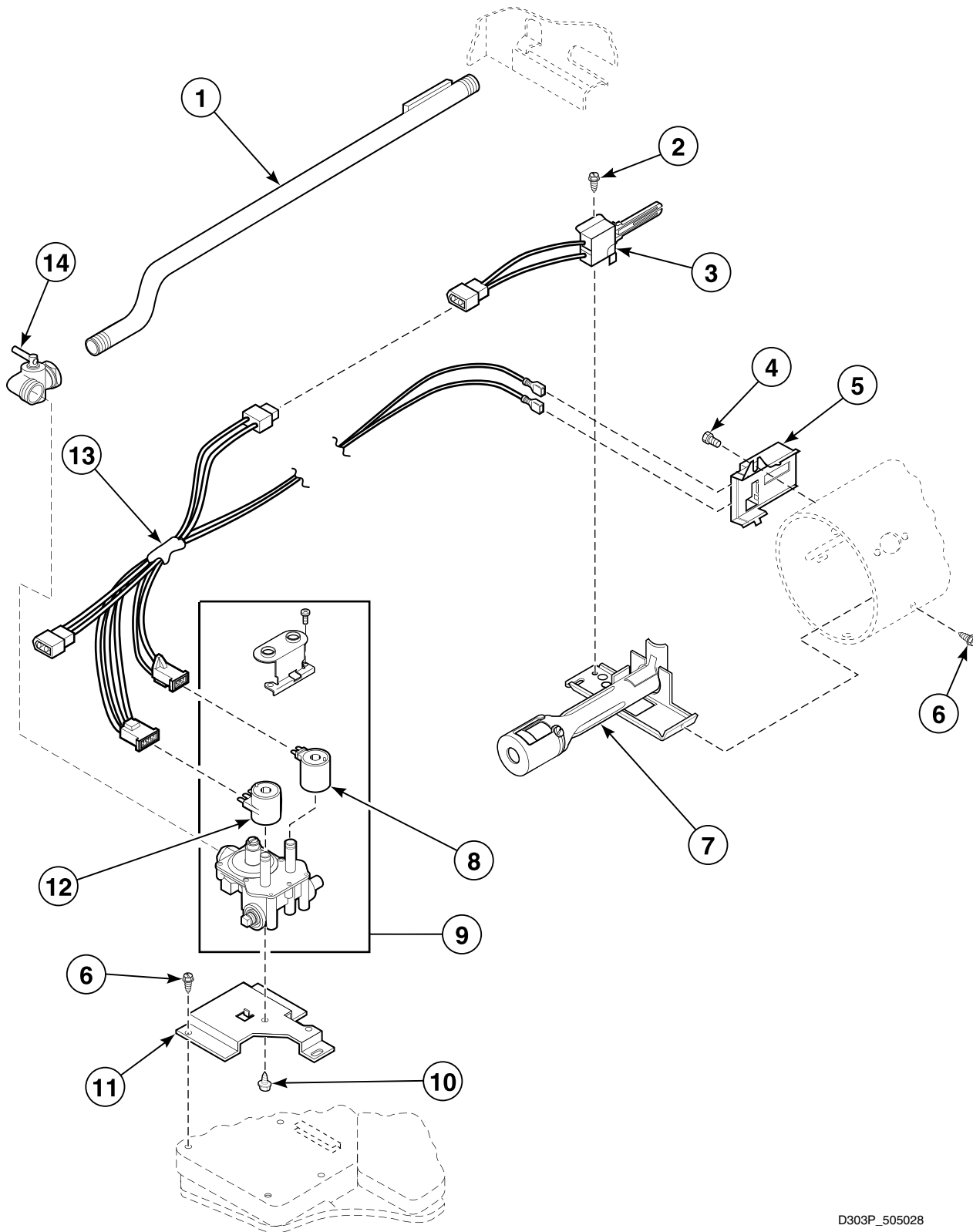
D315P_505028

Heater Duct Assembly

| REF | PART NO. | DESCRIPTION | COMMENTS |
|-----|----------|--------------------------------|-----------------------------------|
| 1 | 503688 | Screw | |
| 2 | 510101 | Heat Duct Shroud | |
| 3 | 500820 | Outlet Cover | |
| 4 | 510025P | Heater Duct and Screw Assembly | Includes item 3 and (2) of item 1 |
| 5 | 510131 | Combustion Duct | |
| 6 | 51782 | Screw | |
| 7 | 510702 | Limit Thermostat | Black |

Gas Valve, Igniter and Gas Conversion Kits

Gas Models

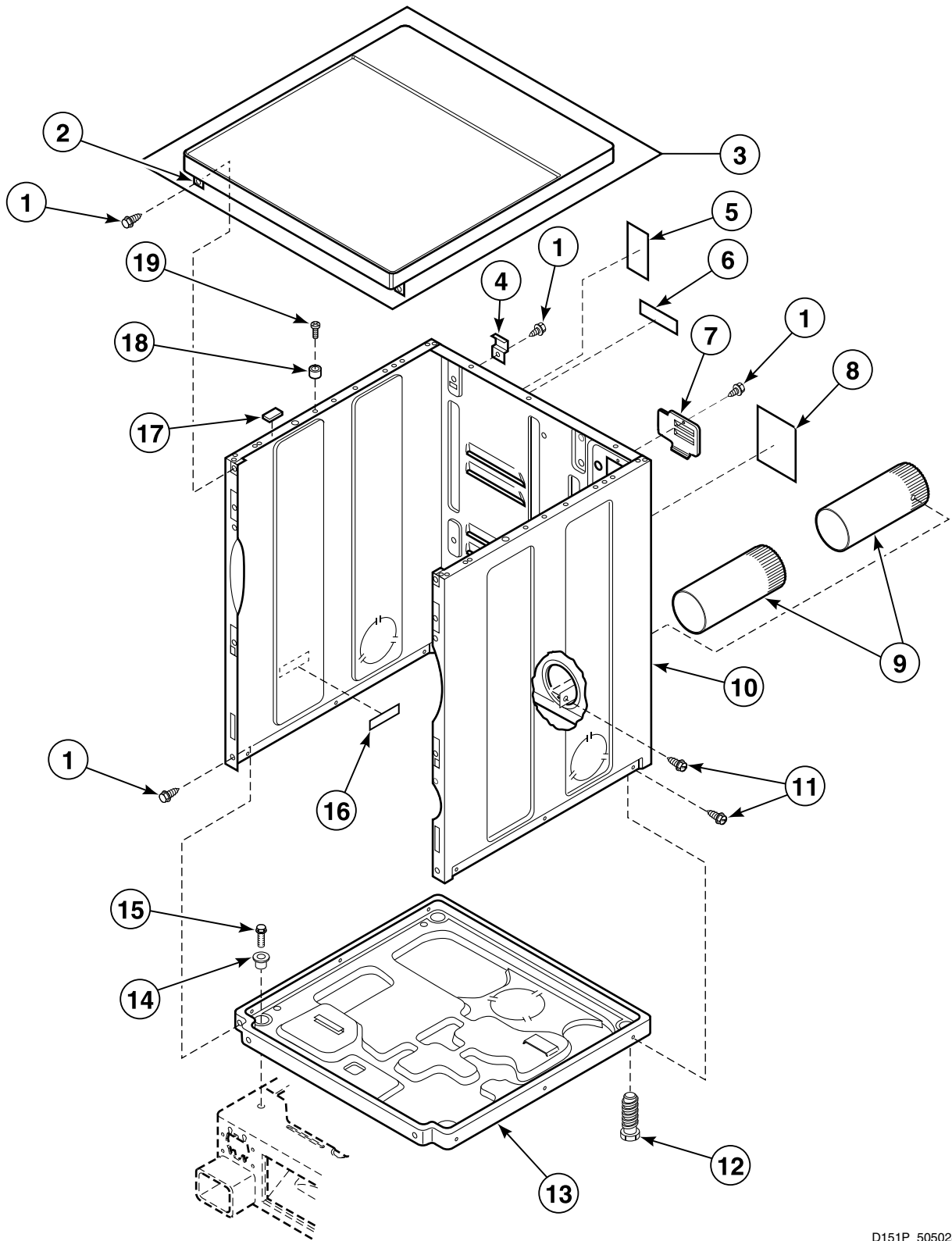


D303P_505028

Gas Valve, Igniter and Gas Conversion Kits

| REF | PART NO. | DESCRIPTION | COMMENTS |
|-----------|----------|---------------------------------|--|
| | 458P3 | L.P. Conversion Kit | Used to convert dryers from Natural Gas (N.G.) or Mixed Gas to Liquid Petroleum Gas (L.P.) |
| | 459P3 | N.G. Conversion Kit | Used to convert dryers from L.P. to N.G. or Mixed Gas |
| 1 | 510204 | Lead-In Pipe Assembly | |
| 2 | 51782 | Screw | |
| 3 | 510184P | Igniter and Bracket Assembly | |
| 4 | 23222 | Screw | |
| 5 | 510213 | Sensor | |
| 6 | 503688 | Screw | |
| 7 | 510149P | Burner Assembly | |
| 8 | 58804B | Secondary Coil | |
| 9 | 60353P | Gas Valve Assembly | |
| 10 | 56124 | Screw | |
| 11 | 510128 | Gas Valve Mounting Bracket | |
| 12 | 58804A | Booster and Holding Coil | |
| 13 | 510530 | Gas Valve Wire Harness Assembly | |
| 14 | 510205 | Elbow Shut-Off Valve | |

Cabinet, Exhaust Duct and Base - Upper Dryer

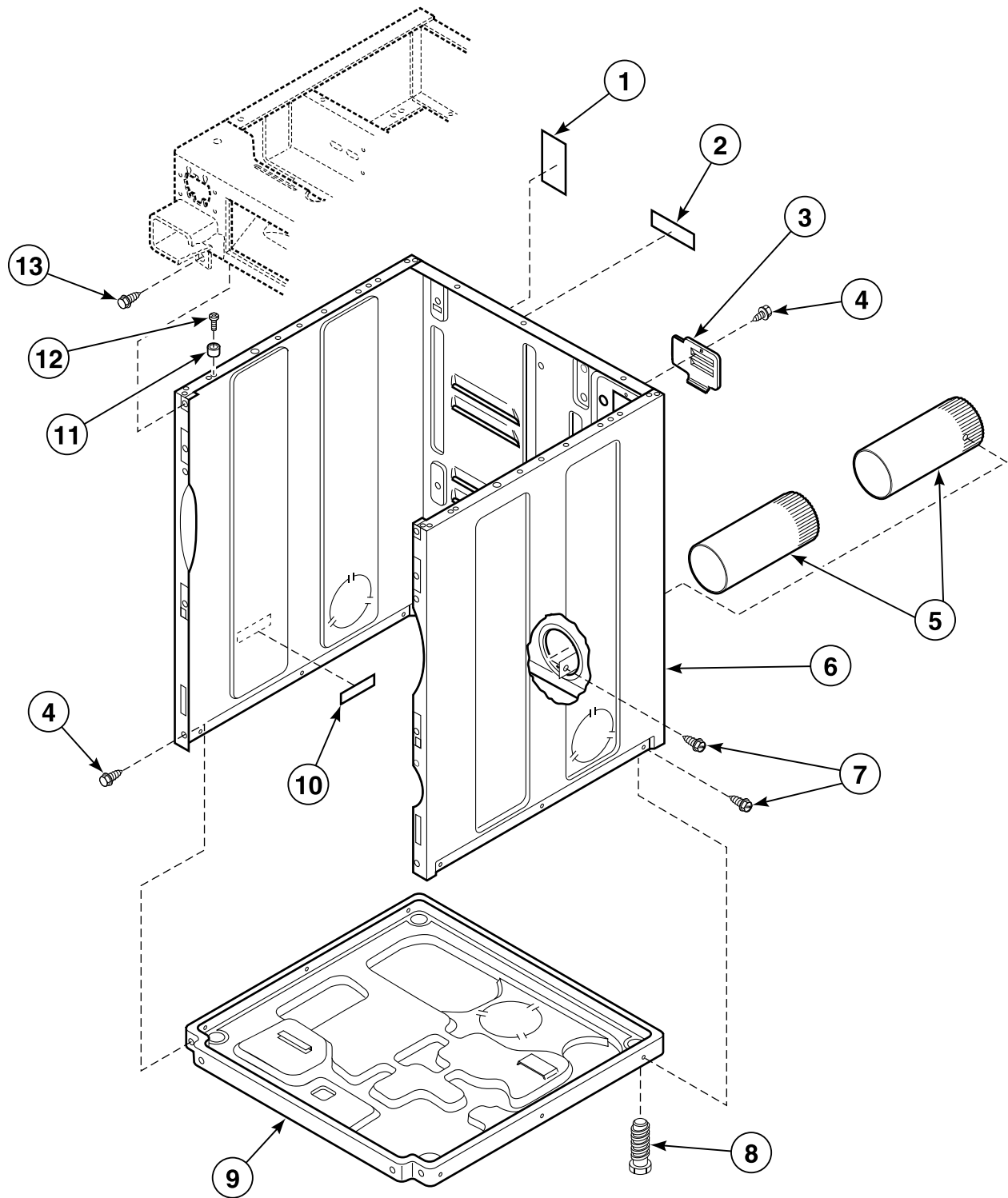


D151P_505028

Cabinet, Exhaust Duct and Base - Upper Dryer

| REF | PART NO. | DESCRIPTION | COMMENTS |
|-----|----------|--------------------------------|---|
| | 521P3 | Flexible Venting Kit | |
| | 528P3 | Directional Exhaust Kit | Used to vent dryer out the sides or bottom |
| | 58786 | Damper | Use with a 4 inch diameter vertical duct system |
| 1 | 503661 | Screw | |
| 2 | 510146 | Bracket | |
| 3 | 510032WP | Top Kit | Includes 2 of item 2; White |
| | 510032LP | Top Kit | Includes 2 of item 2; Almond |
| 4 | 510136 | Top Hinge | |
| 5 | 511004 | Gas Clearance Label | Gas models |
| 6 | 505281 | Disconnect Power Warning Label | |
| 7 | 510903 | Access Panel Plate | |
| 8 | 511005 | Electric Clearance Label | Electric models |
| 9 | 510137 | Exhaust Duct | |
| 10 | 727P3W | Panel Kit | White |
| | 727P3L | Panel Kit | Almond |
| 11 | 503688 | Screw | |
| 12 | 510135 | Leveling Leg | Rear |
| 13 | 510084 | Dryer Base | |
| 14 | 501307 | Washer | |
| 15 | 502431 | Screw | |
| 16 | 61294 | Fuse Notice Label | Electric models |
| 17 | 56128 | Bumper Pad | |
| 18 | 56079 | Panel Locator | |
| 19 | 39733 | Screw | |

Cabinet, Exhaust Duct and Base - Lower Dryer



DRY1747P_505028

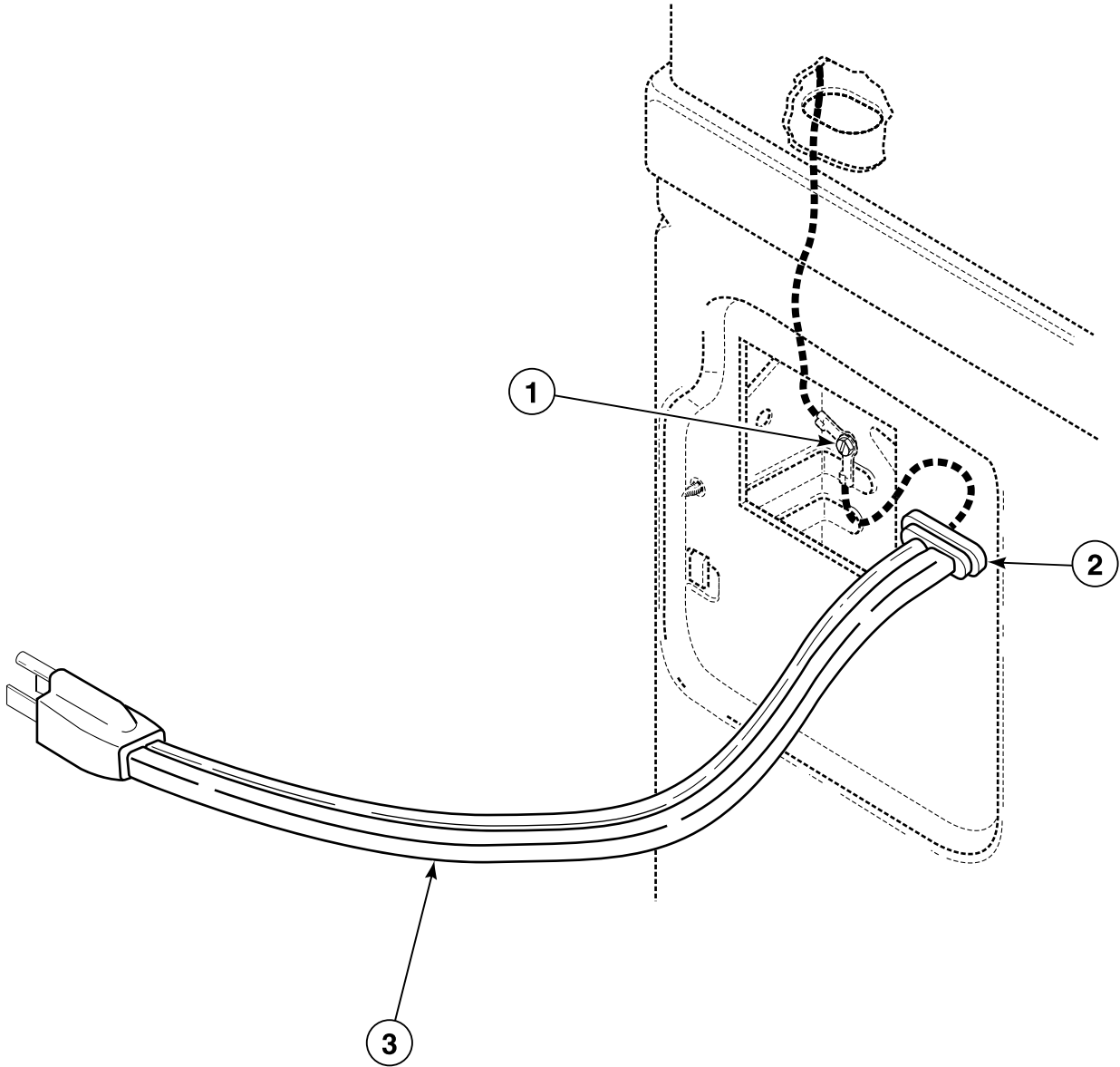
Cabinet, Exhaust Duct and Base - Lower Dryer

| REF | PART NO. | DESCRIPTION | COMMENTS |
|-----|----------|-------------------------|---|
| | 521P3 | Flexible Venting Kit | |
| | 526P3 | Hold Down Kit | For mobile home installations |
| | 528P3 | Directional Exhaust Kit | Used to vent dryer out the sides or bottom |
| | 58786 | Damper | Use with a 4 inch diameter vertical duct system |
| 1 | 511004 | Gas Clearance Label | Gas models |
| 2 | N/A | Label | |
| 3 | 510903 | Access Panel Plate | |
| 4 | 503661 | Screw | |
| 5 | 510137 | Exhaust Duct | |
| 6 | 727P3W | Panel Kit | White |
| | 727P3L | Panel Kit | Almond |
| 7 | 503688 | Screw | |
| 8 | 510135 | Leveling Leg | |
| 9 | 510084 | Dryer Base | |
| 10 | 61294 | Fuse Notice Label | Electric models |
| 11 | 56079 | Panel Locator | |
| 12 | 39733 | Screw | |
| 13 | 33562 | Screw | |

N/A = Part no longer available

Lead-In Cord

Gas Models

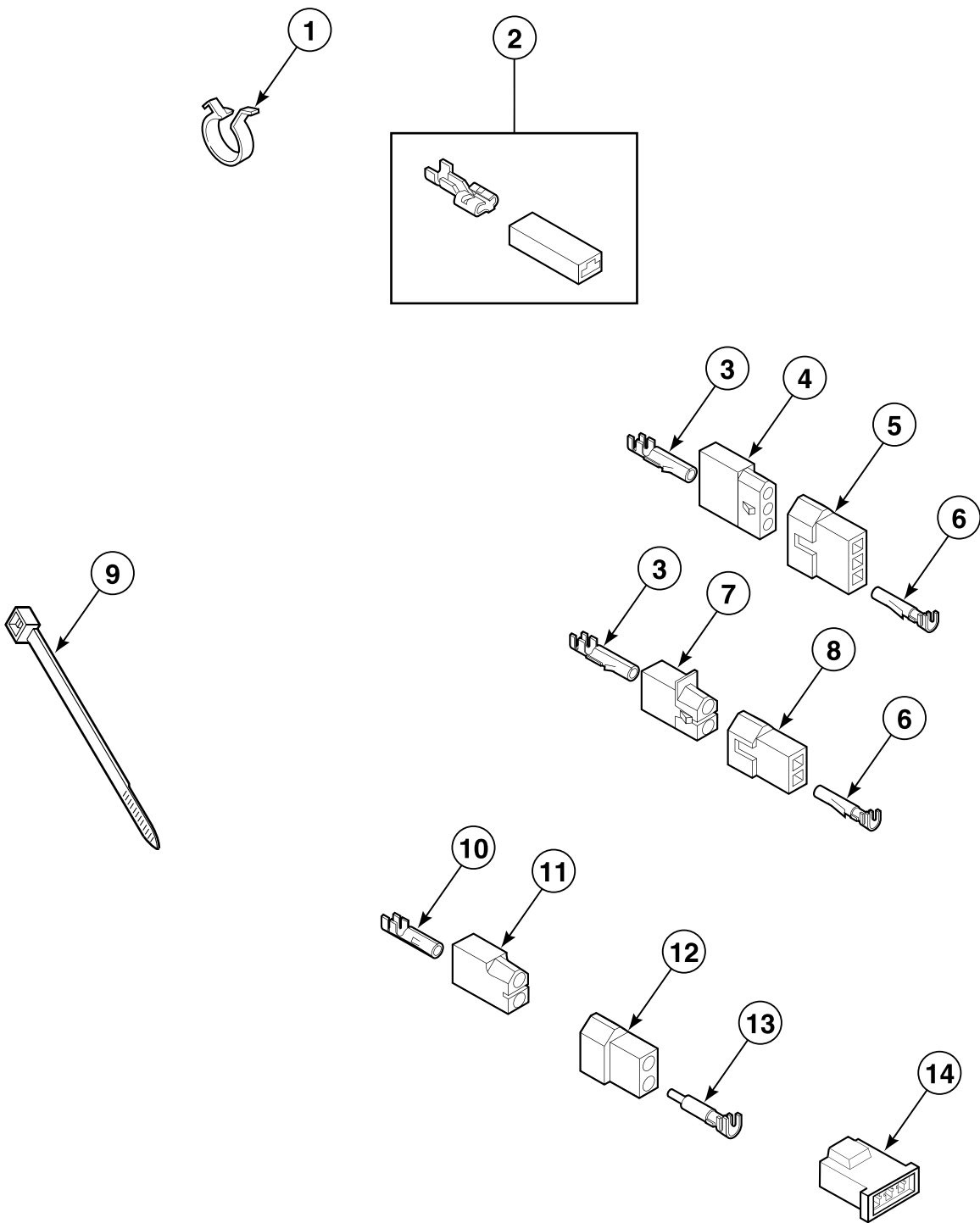


D298P_505028

Lead-In Cord

| REF | PART NO. | DESCRIPTION | COMMENTS |
|-----|----------|---------------|----------|
| 1 | 20530 | Screw | |
| 2 | 38384 | Strain Relief | |
| 3 | 59308 | Lead-In Cord | |

Terminal Block and Terminals

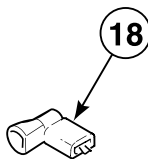
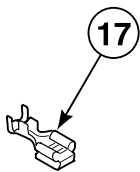
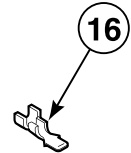
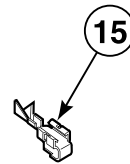
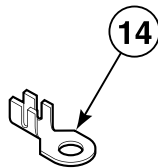
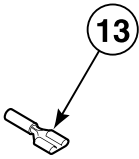
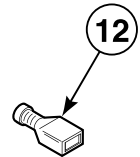
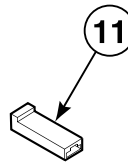
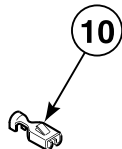
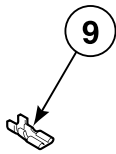
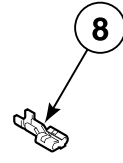
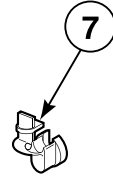
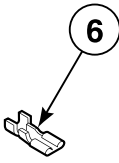
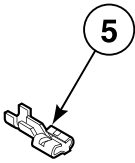
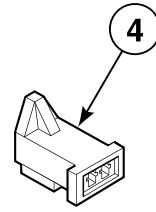
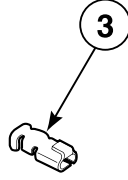
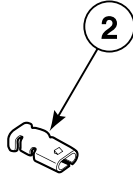
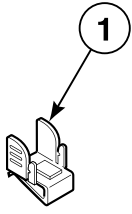


DRY1746P_505028

Terminal Block and Terminals

| REF | PART NO. | DESCRIPTION | COMMENTS |
|-----|----------|----------------------|---|
| 1 | 504034 | Wire Clip | |
| 2 | 00360 | Ultra Pod Terminal | (1) 12 gauge wire or (2) 18 gauge wires |
| 3 | 00117 | Female Pin Terminal | |
| 4 | 23039 | 3 Circuit Receptacle | |
| 5 | 23040 | Plug | 3 circuit |
| 6 | 00116 | Male Pin Terminal | |
| 7 | 56451 | 2 Circuit Receptacle | |
| 8 | 56448 | 2 Circuit Plug | |
| 9 | 55881 | Harness Strap | |
| 10 | 00130 | Female Pin Terminal | |
| 11 | 56265 | 2 Circuit Receptacle | |
| 12 | 56266 | 2 Circuit Plug | |
| 13 | 00127 | Male Pin Terminal | |
| 14 | 58800 | 3 Circuit Connector | |

Terminals



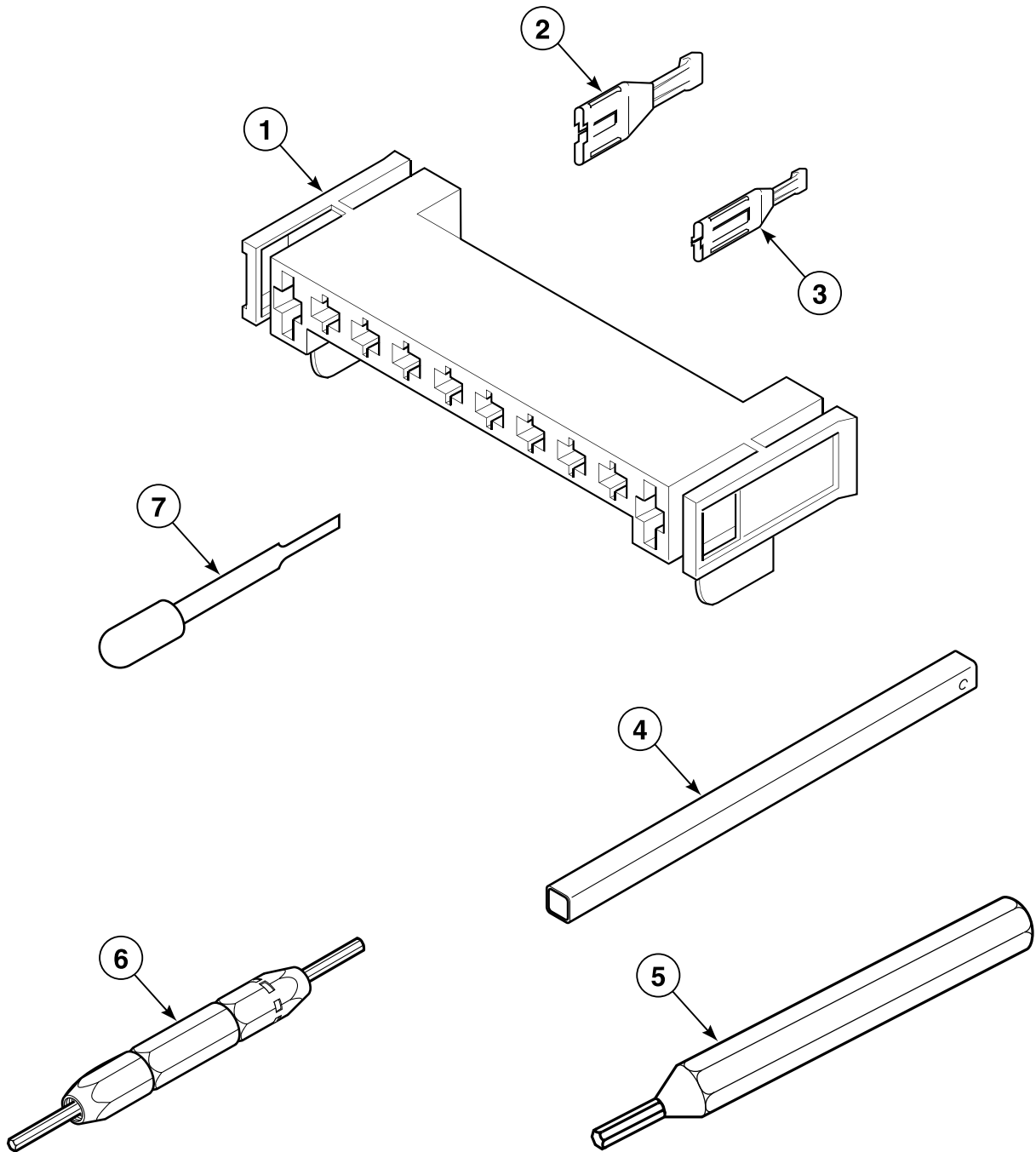
D322P_505028

Terminals

| REF | PART NO. | DESCRIPTION | COMMENTS |
|-----|----------|------------------------------|---|
| 1 | 00161 | Grounding Clip | |
| 2 | 00189 | Female Spade Terminal | |
| 3 | 00361 | Female Piggyback Terminal | |
| 4 | 58799 | 2 Circuit Connector | |
| 5 | 00223 | Female Spade Terminal | 1/4 inch; (1) 18 gauge wire |
| | 00121 | Female Spade Terminal | 1/4 inch; (2) 18 gauge wires or (1) 12 gauge wire |
| | 00245 | Spade Terminal | 1/4 inch; (1) 22 gauge wire |
| 6 | 00124 | Female Spade Terminal | 3/16 inch; (1) 18 gauge wire; .020 tab |
| | 00156 | Female Spade Terminal | 3/16 inch; Thermostat wire; .032 tab |
| | N/A | Female Spade Terminal | 3/16 inch; (2) 18 gauge wires ; .020 tab |
| 7 | 38384 | Strain Relief | |
| 8 | N/A | Terminal | |
| 9 | 00347 | Terminal | |
| 10 | 00115 | Female Spade Terminal | 1/4 inch; (1) 18 gauge wire |
| | 00321 | Female Spade Terminal | 1/4 inch; (2) 18 gauge wires or (1) 12 gauge wire |
| 11 | 90789 | Receptacle Housing | |
| 12 | 00359 | Ultra Pod Terminal | 1/4 inch |
| | 00165 | Insulated Female Terminal | 3/16 inch |
| 13 | N/A | Pre-Insulated Spade Terminal | 1/4 inch; 18 gauge wire |
| | 00215 | Pre-Insulated Spade Terminal | 1/4 inch; 12 gauge wire |
| 14 | 00110 | Ring Terminal | (1) 18 gauge wire |
| | 00111 | Ring Terminal | (2) 18 gauge wires or (1) 12 gauge wire |
| 15 | 00114 | Female Spade Terminal | 1/4 inch; Double connector |
| 16 | 00139 | Male Tab Terminal | 1/4 inch; (2) 18 gauge wires or (1) 12 gauge wire |
| 17 | 00344 | Female Tab Terminal | |
| 18 | 00345 | Flag Insulated Terminal | |

N/A = Part no longer available

Terminals and Terminal Extractor Tools



D319P_505028

Terminals and Terminal Extractor Tools

| REF | PART NO. | DESCRIPTION | COMMENTS |
|-----|----------|-------------------------|--------------------------------------|
| 1 | 500338 | 10 Position Housing | 10 circuit |
| 2 | 00255 | Female Terminal | 1/4 inch; (1) 12 gauge wire |
| | 00256 | Female Terminal | 1/4 inch; (1) or (2) 18 gauge wires |
| 3 | 00188 | Female Terminal | For 1 or 2 wire applications |
| 4 | 310P4 | Ratchet Extension Tool | 1/4 inch; For coin drop installation |
| 5 | 128P4 | Extractor Tool | For use on gas dryer terminals |
| 6 | 190P4 | Extractor Tool | For use on electric dryer terminals |
| 7 | 283P4 | Terminal Extractor Tool | For use on Molex connectors |

Burner Orifice Spuds

| PART NO. | DESCRIPTION | COMMENTS |
|----------|---------------|--|
| 503785 | L.P. Orifice | Liquid Petroleum Gas (L.P.); No. 54; 25,000 Btu rating, 3,500-7,499 feet |
| 58755 | L.P. Orifice | L.P.; No. 55; 25,000 Btu rating, 7,500 - 10,999 feet |
| 503786 | L.P. Orifice | L.P.; No. 56; 25,000 Btu rating, 11,000 feet and higher |
| 503776 | N.G. Orifice | Natural Gas (N.G.); No. 41; 25,000 Btu rating, 2,000-2,999 feet |
| 510517 | N.G. Orifice | N.G.; No. 42; 25,000 Btu rating, 3,000-5,499 feet |
| 503778 | N.G. Orifice | N.G.; No. 43; 25,000 Btu rating, 5,500-6,999 feet |
| 58719 | Screw Orifice | N.G.; No. 44; 25,000 Btu rating, 7,000-8,999 feet |
| N/A | N.G. Orifice | N.G.; No. 45; 25,000 Btu rating, 9,000-10,499 feet |
| N/A | N.G. Orifice | N.G.; No. 46; 25,000 Btu rating, 10,500 feet and higher |

N/A = Part no longer available

Wire Harnesses and Wires

| PART NO. | DESCRIPTION | COMMENTS |
|----------|--|--|
| N/A | Wire Harness Assembly | Lower; Models HSG119*A, HSG119*C, SSG109*A, SSG119*A and SSG309*A |
| 510410P | Wire Harness Assembly | Lower; Models SSE407*A, SSE407*A1500, SSE407*D, SSE407*D1500, SSE417*A, SSE417*D, SSE507*A, SSE507*A1500, SSE517*A, SSE517*A1500, SSE607*C, SSE607*C1500, SSE607*D, SSE607*D1500, SSE617*C, SSE617*D, SSE707*A and SSE717*A |
| 510411P | Wire Harness Assembly | Lower; Models SSG409*A, SSG409*D, SSG419*A, SSG419*D, SSG509*A, SSG519*A, SSG609*C, SSG609*D, SSG619*C, SSG619*D, SSG709*A, SSG719*A and USG009*A |
| 510414P | Wire Harness Assembly | Lower; Models HSE117*A, HSE117*C, SSE107*A, SSE107*A1500, SSE117*A, SSE117*A1500, SSE307*A and SSE307*A1500 |
| 510415 | Wire Harness Assembly | Lower; Model SSG009*A |
| 510416P | Wire Harness Assembly | Lower; Models SSE007*A, SSE007*A1500 and USE007*A |
| N/A | Card Reader Wire Harness Assembly | Connects card reader to controls (2 per stacked unit); Models SSE607*C, SSE607*C1500, SSE607*D, SSE607*D1500, SSE617*C, SSE617*D, SSG609*C, SSG609*D, SSG619*C and SSG619*D |
| 38191 | Card Reader Wire Harness Assembly | Connects card reader to controls (2 per stacked unit); Models SSE707*A, SSE717*A, SSG709*A and SSG719*A |
| 501374 | Security Cabinet Wire Harness Assembly | Connects upper unit to center section (1 per stacked unit); Models SSG409*A, SSG409*D, SSG419*A, SSG419*D, SSG509*A, SSG519*A, SSG609*C, SSG609*D, SSG619*C, SSG619*D, SSG709*A and SSG719*A |
| 501378P | Security Cabinet Harness Assembly | Connects upper unit to center section (1 per stacked unit); Models SSE407*A, SSE407*A1500, SSE407*D, SSE407*D1500, SSE417*A, SSE417*D, SSE507*A, SSE507*A1500, SSE517*A, SSE517*A1500, SSE607*C, SSE607*C1500, SSE607*D, SSE607*D1500, SSE617*C, SSE617*D, SSE707*A and SSE717*A |
| 510654 | Security Cabinet Wire Harness Assembly | Connects upper unit to center section (1 per stacked unit); Models SSE007*A, SSE007*A1500 and USE007*A |
| 39955P | Meter Case Wire Harness Kit | Connects timer, coin drop or card reader to controls (2 per stacked unit); Models SSE407*A, SSE407*A1500, SSE407*D, SSE407*D1500, SSE417*A, SSE417*D, SSE507*A, SSE507*A1500, SSE517*A and SSE517*A1500 |
| 510534P | Harness Replacement Kit | Connects timer, coin drop or card reader to controls (2 per stacked unit); Models HSE117*A, HSE117*C, HSG119*A, HSG119*C, SSE107*A, SSE107*A1500, SSE117*A, SSE117*A1500, SSG109*A, SSG119*A, SSG309*A, SSG409*A, SSG409*D, SSG419*A, SSG419*D, SSG509*A and SSG519*A |

* Add Letter To Designate Color. L - Almond W - White

N/A = Part no longer available

NOTE: Individual wires are not available separately. Order complete wire harness or order wire by the foot. When applying terminals to wires it is recommended that the terminals be soldered to the wires.

Wire Harnesses and Wires

| PART NO. | DESCRIPTION | COMMENTS |
|----------|-----------------------------|--|
| 510637P | Harness Replacement Kit | Connects upper unit to center section (1 per stacked unit); Models HSG119*A, HSG119*C, SSG109*A, SSG119*A and SSG309*A |
| 510661P | Harness Replacement Kit | Connects timer, coin drop or card reader to controls (2 per stacked unit); Models SSE307*A and SSE307*A1500 |
| 510662P | Harness Replacement Kit | Connects upper unit to center section (1 per stacked unit); Models HSE117*A, HSE117*C, SSE107*A, SSE107*A1500, SSE117*A, SSE117*A1500, SSE307*A and SSE307*A1500 |
| 500827P | Wire Harness Assembly | Upper; Models HSG119*A, HSG119*C and SSG119*A |
| 510408P | Upper Wire Harness Assembly | Models SSE407*A, SSE407*A1500, SSE407*D, SSE407*D1500, SSE417*A, SSE417*D, SSE507*A, SSE507*A1500, SSE517*A, SSE517*A1500, SSE607*C, SSE607*C1500, SSE607*D, SSE607*D1500, SSE617*C, SSE617*D, SSE707*A and SSE717*A |
| 510412P | Wire Harness Assembly | Upper; Models HSE117*A, HSE117*C, SSE007*A, SSE007*A1500, SSE107*A, SSE107*A1500, SSE117*A, SSE117*A1500, SSE307*A, SSE307*A1500 and USE007*A |
| 510413P | Wire Harness Assembly | Upper; Models SSG009*A and USG009*A |
| 510417P | Wire Harness Assembly | Upper; Models SSG109*A, SSG309*A, SSG409*A, SSG409*D, SSG419*A, SSG419*D, SSG509*A, SSG519*A, SSG609*C, SSG609*D, SSG619*C, SSG619*D, SSG709*A and SSG719*A |
| 510655P | Upper Wire Harness Assembly | Connects upper unit to center section (1 per stacked unit); Models SSG009*A and USG009*A |
| 45001 | 18 Gauge Wire | Black; Order by the foot; Order terminals and connectors as required |
| 45380 | 12 Gauge Wire | Orange; Order by the foot; Order terminals and connectors as required |

* Add Letter To Designate Color. L - Almond W - White

N/A = Part no longer available

NOTE: Individual wires are not available separately. Order complete wire harness or order wire by the foot. When applying terminals to wires it is recommended that the terminals be soldered to the wires.

Parts Index

A

| | |
|-----------------------------|--------|
| Access Panel | |
| 510069LP | 33 |
| 510069WP | 33 |
| Access Panel Plate | |
| 510903 | 47, 49 |
| Accumulator Replacement Kit | |
| 510628P | 25 |
| 510630P | 27 |
| Adhesive | |
| 511637 | 37, 39 |
| Air Duct Assembly | |
| 510151 | 37 |

B

| | |
|------------------------------|----|
| Bit Holder | |
| 24161 | 33 |
| Blower and Fan Kit | |
| 510717P | 35 |
| Blower Fan Assembly | |
| 510139P | 35 |
| Blower Housing and Cover Kit | |
| 511969P | 35 |
| Blower Housing Seal | |
| 510238P | 35 |
| Bolt | |
| 29651 | 17 |
| 512505 | 23 |
| Booster and Holding Coil | |
| 58804A | 45 |
| Bracket | |
| 510146 | 47 |
| Bumper Pad | |
| 56128 | 47 |
| Burner Assembly | |
| 510149P | 45 |

C

| | |
|-----------------------------------|--------|
| Card Reader | |
| 512473 | 23 |
| Card Reader Instruction Overlay | |
| 38192 | 23 |
| Card Reader Kit | |
| 875P3 | 23 |
| Card Reader Wire Harness Assembly | |
| 38191 | 59 |
| Clean Lint Label | |
| 502804 | 33 |
| Coin Drop | |
| 38479P | 9 |
| Coin Funnel Kit | |
| 523P3 | 17 |
| Coin Meter Drive | |
| M400754 | 25, 27 |

| | |
|------------------------------------|-----------|
| Coin Slide Extension | |
| 503455 | 7 |
| Coin Slide Guard | |
| 58181 | 7 |
| Combustion Duct | |
| 510131 | 43 |
| Connector, 2 Circuit | |
| 58799 | 55 |
| Connector, 3 Circuit | |
| 58800 | 53 |
| Control Kit | |
| M414050P | 9, 11, 13 |
| Control Panel and Bracket Assembly | |
| 500228L | 5, 7 |
| 500228W | 5, 7 |
| Counter Kit | |
| 62113P | 7 |
| Cylinder Assembly | |
| 510265P | 37 |
| Cylinder Baffle | |
| 503703P | 37 |
| Cylinder Belt | |
| 511255P | 35 |
| Cylinder Glide | |
| 510187 | 37 |
| Cylinder Glide Bracket | |
| 510145 | 37 |
| Cylinder Roller | |
| 510708P | 39 |
| Cylinder Roller Bracket | |
| 510100 | 39 |
| Cylinder Seal Assembly | |
| 510207P | 37, 39 |

D

| | |
|--------------------------------|--------|
| Directional Exhaust Kit | |
| 503661 | 47, 49 |
| Disconnect Power Warning Label | |
| 505281 | 47 |
| Door and Liner Assembly | |
| 511636LP | 31 |
| 511636WP | 31 |
| Door Catch Assembly | |
| 510177 | 33 |
| Door Handle Wedge | |
| 510129 | 29, 31 |
| Door Liner Grill | |
| 503870W | 31 |
| Door Pull and Wedge Kit | |
| 510103LP | 29, 31 |
| 510103WP | 29, 31 |
| Door Strike | |
| 510181 | 29, 31 |
| Door Strike Mount | |
| 510127 | 29, 31 |
| Door Switch Bracket | |
| 38087 | 19 |

N/A items do not appear in index.

| | |
|-------------------|--------|
| Dryer Base | |
| 510084 | 47, 49 |
| Dryer Door | |
| 510013LP | 29 |
| 510013WP | 29 |
| 510082LP | 31 |
| 510082WP | 31 |
| Dryer Door Window | |
| 503982 | 31 |

E

| | |
|--------------------------|--------|
| Elbow Shut-Off Valve | |
| 510205 | 45 |
| Electric Clearance Label | |
| 511005 | 47 |
| Exhaust Duct | |
| 510137 | 47, 49 |
| Extractor Tool | |
| 128P4 | 57 |
| 190P4 | 57 |

F

| | |
|---------------------------|--------|
| Fabric Selector Switch | |
| 61512 | 5, 7 |
| Felt Pad | |
| 510189 | 37 |
| Female Piggyback Terminal | |
| 00361 | 55 |
| Female Pin Terminal | |
| 00117 | 53 |
| 00130 | 53 |
| Female Spade Terminal | |
| 00114 | 55 |
| 00115 | 55 |
| 00121 | 55 |
| 00124 | 55 |
| 00156 | 55 |
| 00189 | 55 |
| 00223 | 55 |
| 00321 | 55 |
| Female Tab Terminal | |
| 00344 | 55 |
| Female Terminal | |
| 00188 | 57 |
| 00255 | 57 |
| 00256 | 57 |
| Flag Insulated Terminal | |
| 00345 | 55 |
| Flexible Venting Kit | |
| 503661 | 47, 49 |
| Front Bulkhead Assembly | |
| 510266P | 37 |
| Front Panel | |
| 510066LP | 33 |
| 510066WP | 33 |
| Front Panel Seal | |
| 511056 | 33 |
| Fuse Notice Label | |
| 61294 | 47, 49 |

G

| | |
|---------------------------------|-----------|
| Gas Clearance Label | |
| 511004 | 47, 49 |
| Gas Valve Assembly | |
| 60353P | 45 |
| Gas Valve Mounting Bracket | |
| 510128 | 45 |
| Gas Valve Wire Harness Assembly | |
| 510530 | 45 |
| Graphic Overlay | |
| 504117 | 9, 11, 13 |
| 504590 | 5, 7 |
| Grounding Clip | |
| 00161 | 5, 7, 55 |

H

| | |
|--------------------------------|--------|
| Harness | |
| 512501 | 23 |
| Harness Replacement Kit | |
| 510534P | 59 |
| 510637P | 60 |
| 510661P | 60 |
| 510662P | 60 |
| Harness Strap | |
| 55881 | 53 |
| Heat Duct Shroud | |
| 510101 | 43 |
| Heater Assembly | |
| 510329P | 41 |
| Heater Duct and Screw Assembly | |
| 510025P | 41, 43 |
| Heater Kit Assembly | |
| 61928 | 41 |
| Hinge | |
| 511036 | 29, 31 |
| Hold Down Kit | |
| 526P3 | 49 |
| Housing, 10 Position | |
| 500338 | 57 |

I

| | |
|----------------------------------|----|
| Idler Lever | |
| 510133 | 35 |
| Idler Lever and Wheel Assembly | |
| 510158 | 35 |
| Idler Spring | |
| 510185 | 35 |
| Idler Wheel and Bearing Assembly | |
| 510142P | 35 |
| Igniter and Bracket Assembly | |
| 510184P | 45 |
| Instructions for Use Label | |
| 500498 | 33 |
| Insulated Female Terminal | |
| 00165 | 55 |

N/A items do not appear in index.

L

| | |
|--------------------------------|-----------------|
| Lead-In Cord | |
| 59308 | 51 |
| Lead-In Pipe Assembly | |
| 510204 | 45 |
| Leveling Leg | |
| 510135 | 47, 49 |
| Light | |
| 32464 | 5, 7 |
| Limit Thermostat | |
| 510701 | 41 |
| 510702 | 43 |
| Liner and Seal Assembly | |
| 510098W | 31 |
| Liner Door Seal | |
| 510147P | 29, 31 |
| Liner, Seal and Grill Assembly | |
| 510163WP | 29 |
| Lint Filter | |
| 503980 | 37 |
| Lock Cam | |
| 27261 | 5, 7, 9, 11, 13 |
| Lock Kit | |
| 27260P | 5, 7, 9, 11, 13 |
| L.P. Conversion Kit | |
| 458P3 | 45 |
| L.P. Orifice | |
| 503785 | 58 |
| 503786 | 58 |
| 58755 | 58 |

M

| | |
|-----------------------------|----|
| Male Pin Terminal | |
| 00116 | 53 |
| 00127 | 53 |
| Male Tab Terminal | |
| 00139 | 55 |
| Meter Case Wire Harness Kit | |
| 39955P | 59 |
| Motor and Pulley Assembly | |
| 511629P | 35 |
| Motor Hub Ring Kit | |
| 590P3 | 35 |
| Motor Mount | |
| 510060 | 35 |
| Motor Mount Clamp | |
| 510180 | 35 |
| Motor Pulley | |
| 500011 | 35 |
| Motor Switch Kit | |
| 501218P | 35 |

N

| | |
|-------------|------|
| Nut | |
| 24205 | 5, 7 |
| 29786 | 9 |
| 29796 | 17 |

| | |
|---------------------|--------------------|
| 52566 | 35 |
| 52947 | 5, 7 |
| 56156 | 35, 39 |
| 80077 | 15, 17, 19, 21, 23 |
| N.G. Conversion Kit | |
| 459P3 | 45 |
| N.G. Orifice | |
| 503776 | 58 |
| 503778 | 58 |
| 510517 | 58 |

O

| | |
|--------------|--------|
| Outlet Cover | |
| 500820 | 41, 43 |
| Overlay | |
| 502927 | 5 |
| 505381 | 7 |

P

| | |
|------------------------------|--------------------------------|
| Panel Kit | |
| 727P3L | 47, 49 |
| 727P3W | 47, 49 |
| Panel Locator | |
| 56079 | 15, 17, 19, 21, 23, 33, 47, 49 |
| Pawl Spring | |
| 53244 | 25, 27 |
| Plug | |
| 23040 | 53 |
| Plug, 2 Circuit | |
| 56266 | 53 |
| 56448 | 53 |
| Pop Rivet | |
| 70058501 | 37 |
| Power Supply | |
| 512496 | 23 |
| Pre-Insulated Spade Terminal | |
| 00215 | 55 |
| Programming Card | |
| 512499P | 23 |

R

| | |
|------------------------|--------|
| Ratchet Extension Tool | |
| 310P4 | 57 |
| Ratchet Wheel | |
| 53239 | 25, 27 |
| Rear Bulkhead Assembly | |
| 511082P | 39 |
| Receptacle Housing | |
| 90789 | 55 |
| Receptacle, 2 Circuit | |
| 56265 | 53 |
| 56451 | 53 |
| Receptacle, 3 Circuit | |
| 23039 | 53 |
| Retaining Ring | |
| 23748 | 35, 39 |

N/A items do not appear in index.

| | |
|---------------|----|
| Ring Terminal | |
| 00110 | 55 |
| 00111 | 55 |

S

| | |
|--|--|
| Screw | |
| 03203 | 7 |
| 03950 | 7 |
| 20530 | 5, 7, 11, 13, 51 |
| 23222 | 41, 45 |
| 27328 | 5 |
| 31260 | 35 |
| 33561 | 35 |
| 33562 | 33, 49 |
| 39733 | 15, 17, 19, 21, 23, 33, 47, 49 |
| 500226 | 29, 31, 37 |
| 500824 | 35 |
| 501285 | 37, 39 |
| 501524 | 9, 11, 13 |
| 502431 | 15, 17, 19, 21, 23, 47 |
| 503661 | 7, 15, 17, 19, 21, 23, 33, 35, 39, 47, 49 |
| 503688 | 15, 17, 19, 21, 23, 37, 39, 41, 43, 45, 47, 49 |
| 505295 | 29, 31 |
| 505870 | 31 |
| 51782 | 43, 45 |
| 56124 | 45 |
| 61199 | 39 |
| 62588 | 37 |
| 62853 | 33 |
| Screw Orifice | |
| 58719 | 58 |
| Secondary Coil | |
| 58804B | 45 |
| Security Cabinet Front | |
| 500225LP | 15 |
| 500225WP | 15 |
| Security Cabinet Front Assembly | |
| 503428W | 23 |
| 505227L | 21, 23 |
| 505227W | 21, 23 |
| 511522LP | 17 |
| 511522WP | 17 |
| 511632WP | 19 |
| Security Cabinet Harness Assembly | |
| 501378P | 59 |
| Security Cabinet Wire Harness Assembly | |
| 501374 | 59 |
| 510654 | 59 |
| Sensor | |
| 510213 | 45 |
| Shaft | |
| 56461P | 35, 39 |
| Snap Switch | |
| 61468 | 27 |
| Spade Terminal | |
| 00245 | 55 |
| Speed Clip | |
| 28835 | 33 |
| Stack Dryer Slide Extension Kit | |
| 760P3 | 7 |
| Strain Relief | |
| 38384 | 51, 55 |
| 52113 | 5, 7, 9, 11, 13 |

| | |
|-----------------|--------|
| Switch | |
| 504570 | 19, 33 |
| Switch Assembly | |
| 55882 | 5, 7 |
| Switch Knob | |
| 39897 | 5, 7 |

T

| | |
|-------------------------|--------|
| Terminal | |
| 00347 | 55 |
| Terminal Block Assembly | |
| 510190P | 39 |
| Terminal Block Shield | |
| 510237 | 39 |
| Terminal Extractor Tool | |
| 283P4 | 57 |
| Thermal Fuse Assembly | |
| 511412 | 41 |
| Thermistor Assembly | |
| 510523 | 35 |
| Thermostat | |
| 504515 | 35 |
| Timer | |
| 510524P | 5 |
| Timer Bracket | |
| 503017 | 7 |
| Timer Knob | |
| 54678 | 5 |
| Timer Motor | |
| 512017P | 25, 27 |
| Timer Overlay | |
| 500814 | 5 |
| Timing Cam | |
| 53240 | 25, 27 |
| 53241 | 25, 27 |
| 53242 | 25, 27 |
| 53243 | 25, 27 |
| Top Hinge | |
| 510136 | 47 |
| Top Kit | |
| 510032LP | 47 |
| 510032WP | 47 |
| Torx Bit | |
| 282P4 | 33 |

U

| | |
|-----------------------------|----|
| Ultra Pod Terminal | |
| 00359 | 55 |
| 00360 | 53 |
| Upper Wire Harness Assembly | |
| 510408P | 60 |
| 510655P | 60 |

V

| | |
|---------------------------|----|
| Venting Instruction Label | |
| 502791 | 33 |

N/A items do not appear in index.

W

| | |
|------------------------------|------------------------|
| Warning/Caution Label | |
| 500281 | 33 |
| Washer | |
| 25820 | 5, 7 |
| 501307 | 15, 17, 19, 21, 23, 47 |
| 52549 | 35, 39 |
| 91176 | 5, 7 |
| Window Trim | |
| 503981L | 31 |
| 503981W | 31 |
| Wire Clip | |
| 504034 | 53 |
| Wire Harness Assembly | |
| 500827P | 60 |
| 510410P | 59 |
| 510411P | 59 |
| 510412P | 60 |
| 510413P | 60 |
| 510414P | 59 |
| 510415 | 59 |
| 510416P | 59 |
| 510417P | 60 |
| Wire, 12 Gauge | |
| 45380 | 60 |
| Wire, 18 Gauge | |
| 45001 | 60 |
| Wrapper and Channel Assembly | |
| 505753L | 15, 17, 19, 21, 23 |
| 505753W | 15, 17, 19, 21, 23 |
