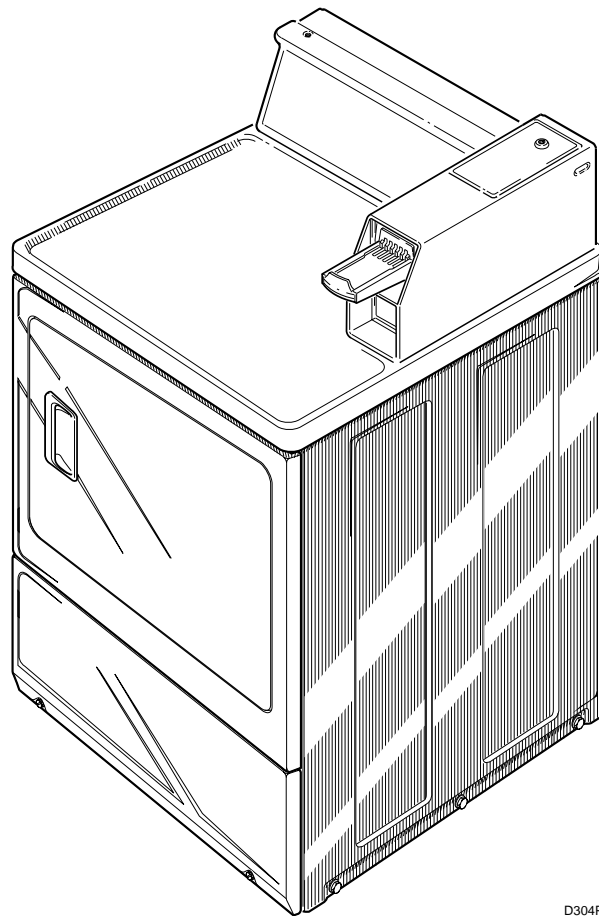


# Dryers

Metered and Nonmetered  
See Page 3 for Model Numbers



D304P

# Table of Contents

Title	Page
Parts Ordering Information .....	2
Nameplate Location .....	2
Model Identification .....	3
Timer (Nonmetered) .....	4
Meter Case (Coin Slide Ready) .....	6
Meter Case (Coin Drop).....	8
Timer Case (Card Reader Ready) .....	10
Security Case (Card Reader) .....	12
Two Switch Timer .....	14
Three Switch Timer.....	16
Control Panel, Control Hood and Controls .....	18
Control Panel, Control Hood and Electronic Control .....	20
Cabinet Top .....	22
Loading Door .....	24
Access Panel, Front Panel and Seal .....	26
Motor, Exhaust Fan and Belt .....	28
Front Bulkhead, Air Duct, Felt Seal and Cylinder .....	30
Rear Bulkhead, Felt Seal, Cylinder Roller and Terminal Block .....	32
Heater Duct and Element Assembly .....	34
Heater Duct Assembly .....	36
Gas Valve, Igniter and Gas Conversion Kits .....	38
Cabinet, Exhaust Duct and Base .....	40
Power Cord .....	42
Terminal Block and Terminals .....	44
Terminals .....	46
Motor Connection Block, Terminal Extractor Tools .....	48
Wire Harnesses and Wires .....	50
Parts Index.....	51

© Copyright 1998, Alliance Laundry Systems LLC

All rights reserved. No part of the contents of this book may be reproduced or transmitted in any form or by any means without the expressed written consent of the publisher.

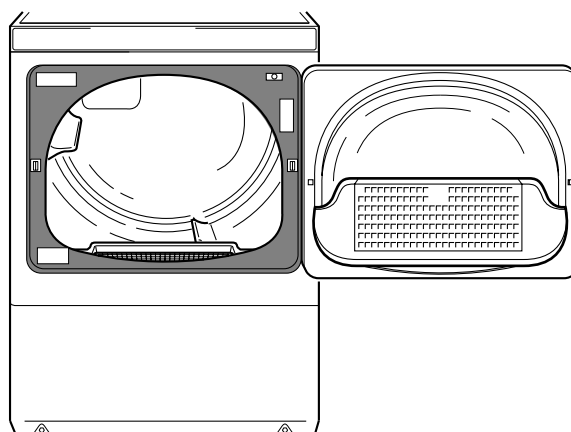
## Parts Ordering Information

If literature or replacement parts are required, contact the source from whom the machine was purchased or contact Alliance Laundry Systems at (920) 748-3950 for the name and address of the nearest authorized parts distributor.

For technical assistance, call (920) 748-3121.

## Nameplate Location

When calling or writing about your product, be sure to mention model and serial numbers. Model and serial numbers are located on nameplate(s) as shown.



D305P

## Model Identification

Information in this manual is applicable to these dryers.

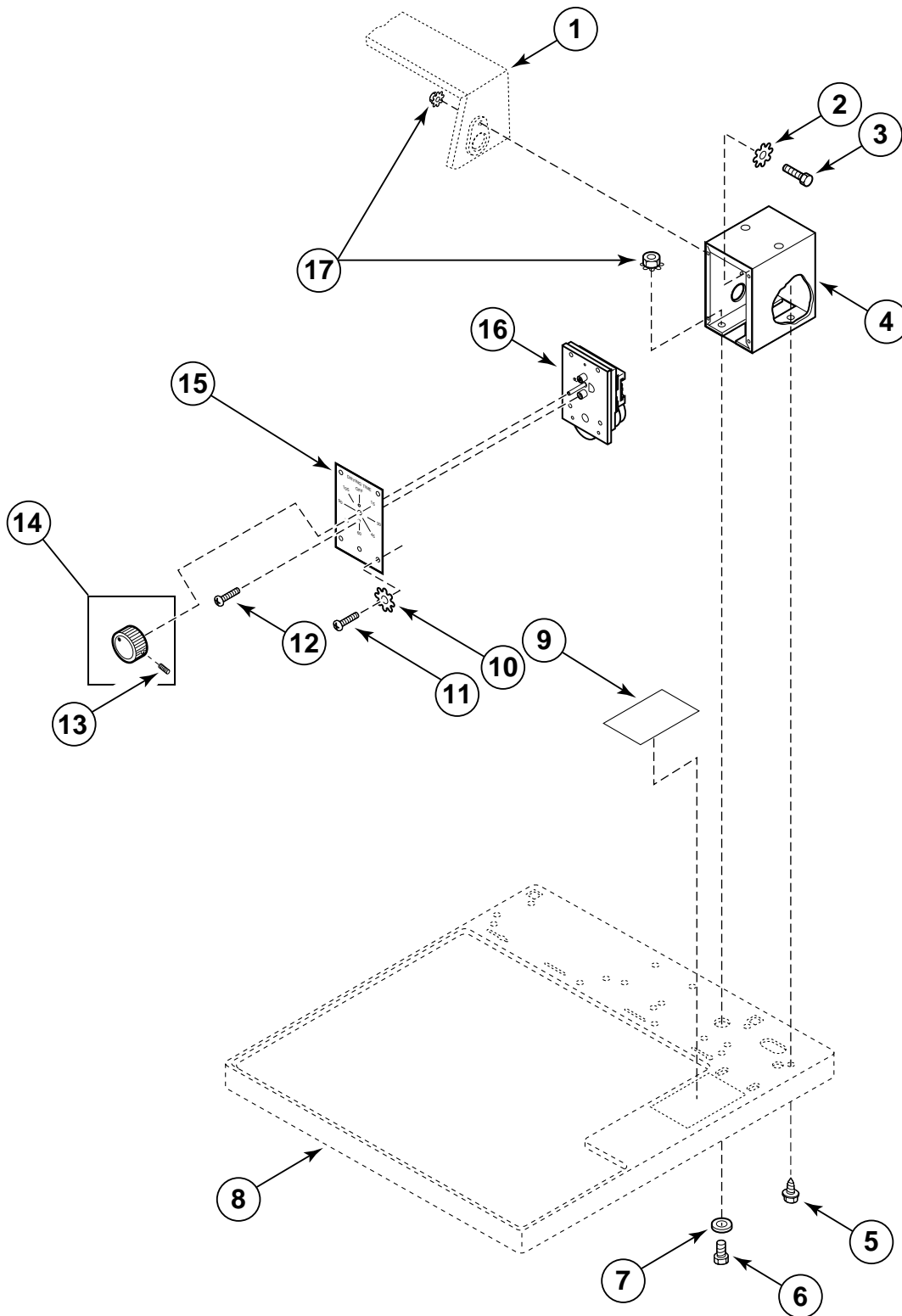
DRYER MODEL	NONMETERED MODEL	METERED MODEL	ELECTRONIC DISPLAY CONTROL	CARD READER READY	CARD READER INSTALLED	ELECTRIC HEAT	GAS HEAT
HDE007*A	X					X	
HDE007*C	X					X	
HDE107*A		X				X	
HDE107*C		X				X	
HDG009*A	X						X
HDG009*C							X
HDG109*A		X					X
HDG109*C		X					X
SDE007*A	X					X	
SDE007*A1500						X	
SDE107*A		X				X	
SDE107*A1500						X	
SDE307*A		X				X	
SDE307*A1500						X	
SDE407*A		X	X			X	
SDE407*A1500						X	
SDE407*D						X	
SDE407*D1500						X	
SDE507*A		X	X			X	
SDE507*A1500						X	
SDE607*A		X		X		X	
SDE607*A1500				X		X	
SDE607*D				X		X	
SDE607*D1500				X		X	
SDE607*C				X		X	
SDE607*C1500				X		X	
SDE707*A		X			X	X	
SDE707*A1500					X	X	
SDG009*A	X						X
SDG109*A		X					X
SDG309*A		X					X
SDG409*A		X					X
SDG409*D							X
SDG509*A		X					X
SDG609*A		X		X			X
SDG609*C				X			X
SDG609*D				X			X
SDG709*A		X			X		X
UDE007*A	X					X	
UDG009*A	X						X

\* Add Letter To Designate Color. L – Almond W – White



# Timer (Nonmetered)

(Models HDE007\*A, HDE007\*C, HDG009\*A, HDG009\*C, SDE007\*A, SDE007\*A1500, UDE007\*A and UDG009\*A)



D124PZ3A

\* Add Letter To Designate Color. L – Almond W – White

## Timer (Nonmetered)

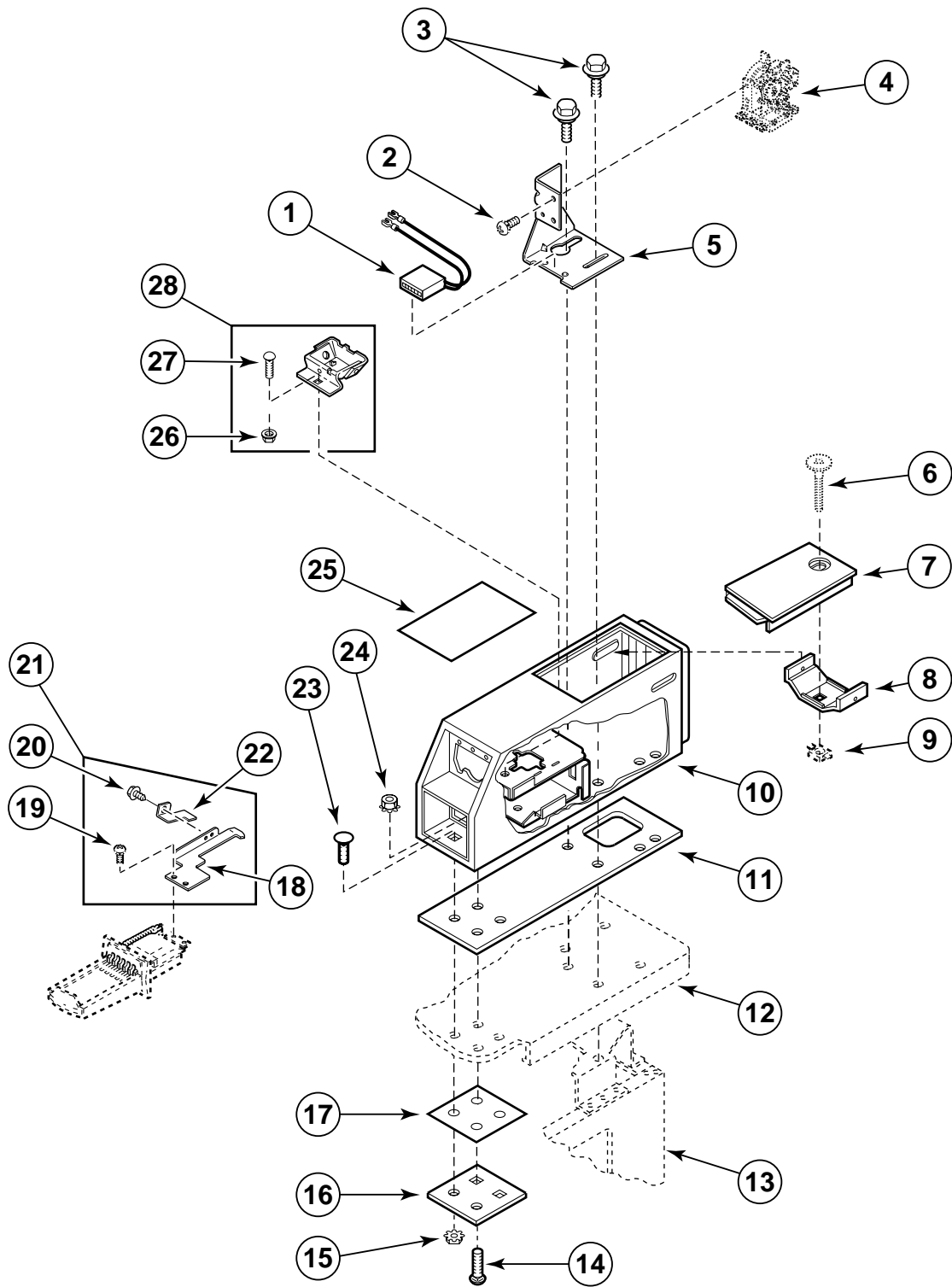
(Models HDE007\*A, HDE007\*C, HDG009\*A, HDG009\*C, SDE007\*A, SDE007\*A1500, UDE007\*A and UDG009\*A)

REF	PART #	DESCRIPTION	COMMENTS
1	502567*	Control Hood	
2	02431	Lockwasher	
3	02916	Cap Screw	
4	37733*	Timer Case	
5	501086	Screw	
6	02916	Cap Screw	
7	20279	Washer	
8	501740*P	Cabinet Top	
9	500490	Label	
10	03815	Lockwasher	
11	51778	Screw	
12	27328	Screw	
13	25285	Set Screw	
14	54678	Timer Knob Assembly	
15	500921*	Timer Plate Assembly	
16	500399	Timer	120 Volt, 60 Hertz
17	29786	Keps Nut	

\* Add Letter To Designate Color. L – Almond W – White

# Meter Case (Coin Slide Ready)

(Models HDE107\*A, HDE107\*C, HDG109\*A, HDG109\*C, SDE107\*A, SDE107\*A1500, SDE307\*A, SDE307\*A1500, SDG109\*A and SDG309\*A)



D318PZ3A

\* Add Letter To Designate Color. L – Almond W – White

## Meter Case (Coin Slide Ready)

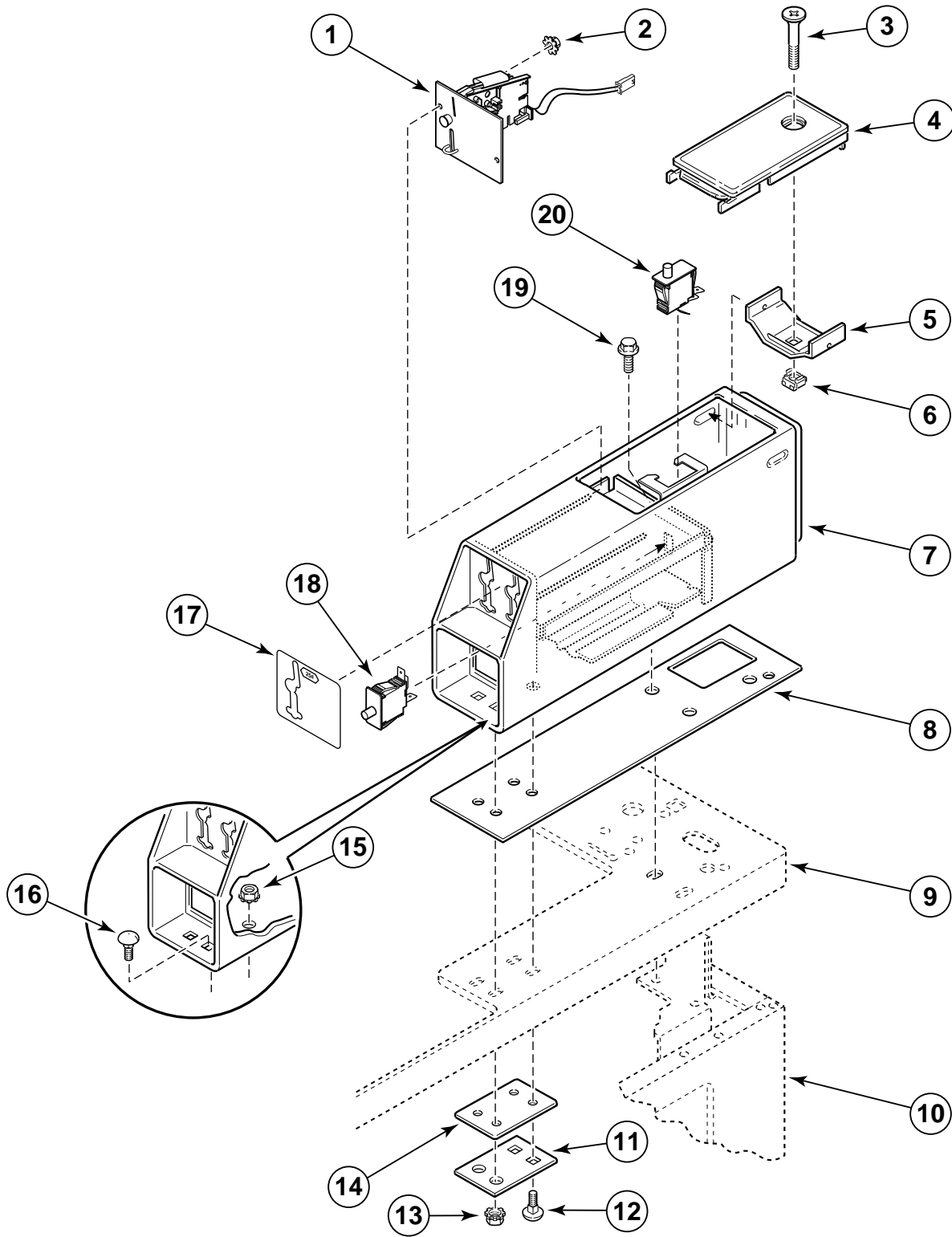
(Models HDE107\*A, HDE107\*C, HDG109\*A, HDG109\*C, SDE107\*A, SDE107\*A1500,  
SDE307\*A, SDE307\*A1500, SDG109\*A and SDG309\*A)

REF	PART #	DESCRIPTION	COMMENTS
1	502113	Counter	Models SDE307*A, SDE307*A1500 and SDG309*A
2	03203	Screw	
3	502431	Shoulder Screw	
4	501757	Timer Assembly	Models HDE107*A, HDE107*C, HDG109*A, HDG109*C, SDE107*A, SDE107*A1500 and SDG109*A
	501756	Timer Assembly	Models SDE307*A, SDE307*A1500 and SDG309*A
5	503315	Timer Bracket	
6	503673	Hex Head Screw	
7	35798*	Service Door	
8	30642	Locking Bracket	
9	30647	Retainer Nut	
10	37315*	Meter Case	Includes 34718 Coin Funnel Kit
11	26354	Meter Case Gasket	
12	501720*P	Cabinet Top	
13	500001*P	Cabinet	
14	02505	Carriage Bolt	
15	29786	Locknut	
16	35525	Bracket	
17	35526	Gasket	
18	503733	Slide Extension	
19	03950	Screw	
20	501086	Screw	
21	553P3	Coin Slide Extension Kit	
22	501796	Coin Slide Modifier	
23	02505	Carriage Bolt	
24	29786	Locknut	
25	500628	Instruction Label	
26	29796	Nut	
27	29651	Bolt	
28	523P3	Coin Funnel Kit	

\* Add Letter To Designate Color. L – Almond W – White

# Meter Case (Coin Drop)

(Models SDE407\*A, SDE407\*A1500, SDE507\*A, SDE507\*A1500, SDG409\*A, SDG409\*D and SDG509\*A)



D267PZ3A

\* Add Letter To Designate Color. L – Almond W – White

# Meter Case (Coin Drop)

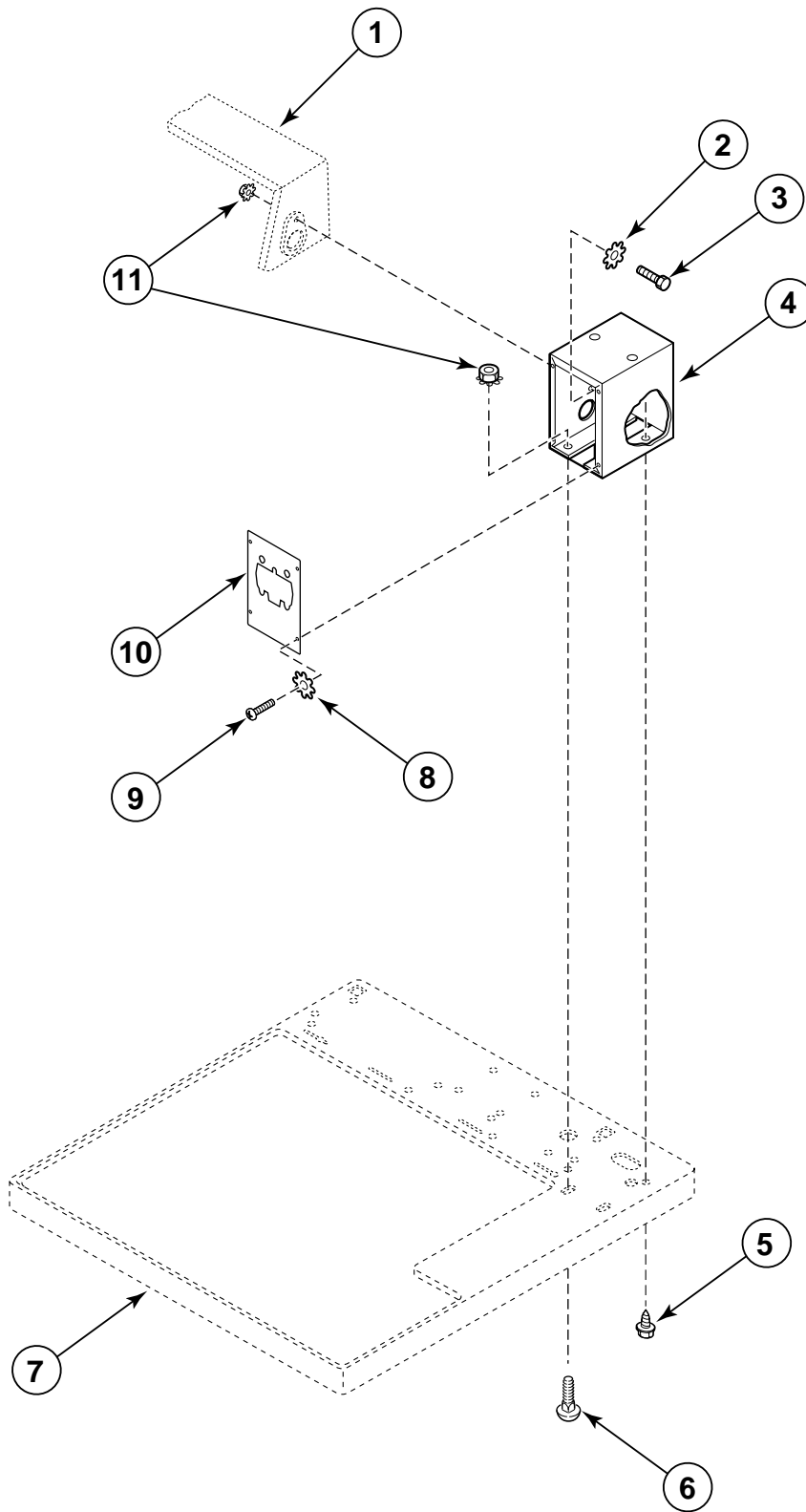
(Models SDE407\*A, SDE407\*A1500, SDE507\*A, SDE507\*A1500, SDG409\*A, SDG409\*D and SDG509\*A)

REF	PART #	DESCRIPTION	COMMENTS
1	38479	Coin Drop Assembly	
2	29786	Locknut	
3	503673	Screw	
4	35798*	Service Door	
5	30642	Locking Bracket	
6	30647	Retainer Nut	
7	38724*	Meter Case	
8	26354	Meter Case Gasket	
9	501720*P	Cabinet Top	
10	500001*P	Cabinet	
11	35525	Bracket	
12	02505	Carriage Bolt	
13	29786	Keps Nut	
14	35526	Gasket	
15	29786	Locknut	
16	02505	Carriage Bolt	
17	38717	Front Overlay	
18	504570	Door Switch	
19	502431	Shoulder Screw	
20	504570	Door Switch	

\* Add Letter To Designate Color. L – Almond W – White

# Timer Case (Card Reader Ready)

SDE607\*A, SDE607\*A1500, SDE607\*D, SDE607\*D1500, SDE607\*C, SDE607\*C1500, SDG609\*A, SDG609\*C and SDG609\*D



D348PZ3A

\* Add Letter To Designate Color. L – Almond W – White

## Timer Case (Card Reader Ready)

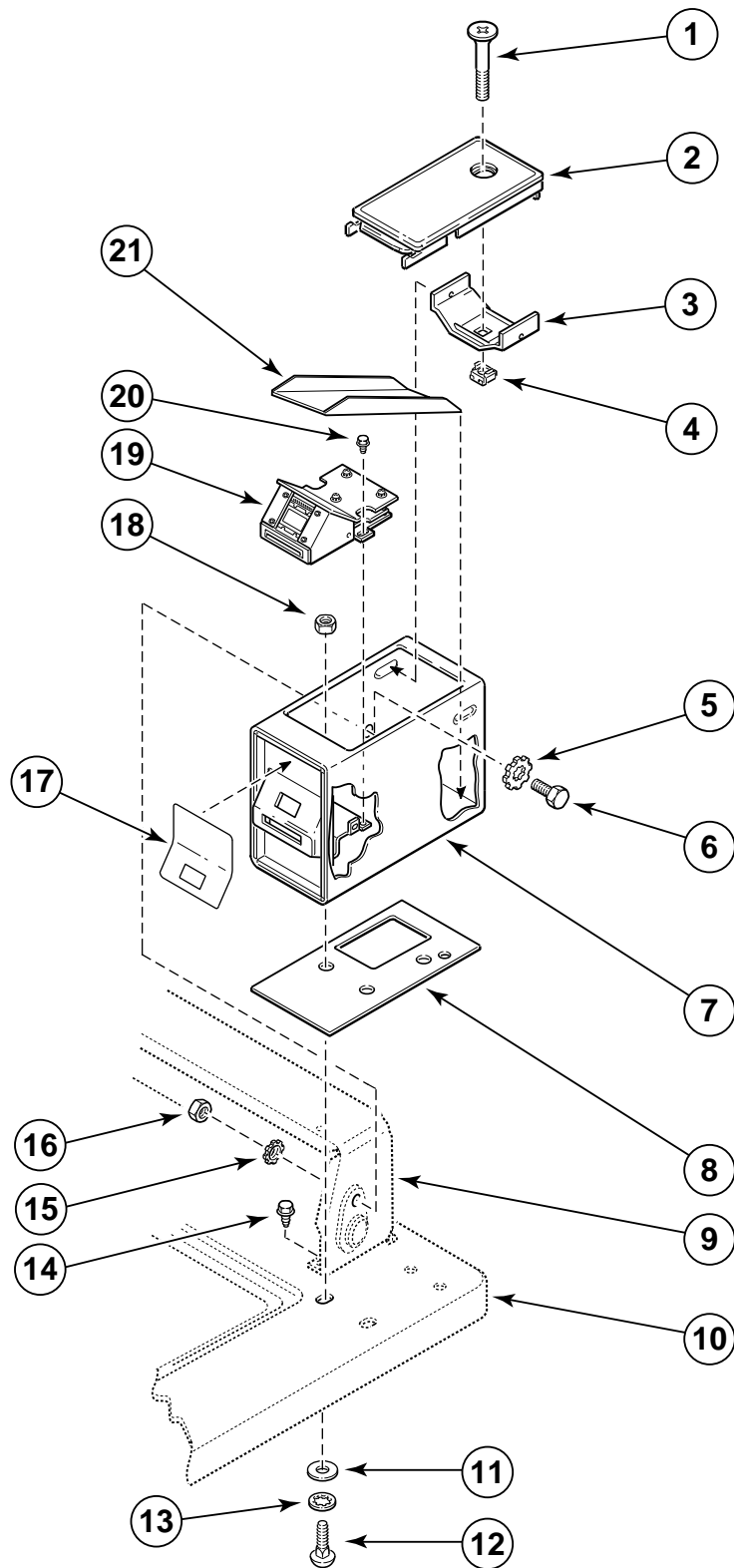
SDE607\*A, SDE607\*A1500, SDE607\*D, SDE607\*D1500, SDE607\*C, SDE607\*C1500, SDG609\*A, SDG609\*C and SDG609\*D

REF	PART #	DESCRIPTION	COMMENTS
1	502567*	Control Hood	
2	02431	Lockwasher	
3	02916	Cap Screw	
4	37733*	Timer Case	
5	501086	Screw	
6	02505	Carriage Bolt	
7	501740*P	Cabinet Top	
8	21734	Lockwasher	
9	51778	Screw	
10	39481	Timer Plate Assembly	
11	29786	Keps Nut	

\* Add Letter To Designate Color. L – Almond W – White

# Security Case (Card Reader)

(Models SDE707\*A, SDE707\*A1500 and SDG709\*A)



D307PZ3A

\* Add Letter To Designate Color. L – Almond W – White

# Security Case (Card Reader)

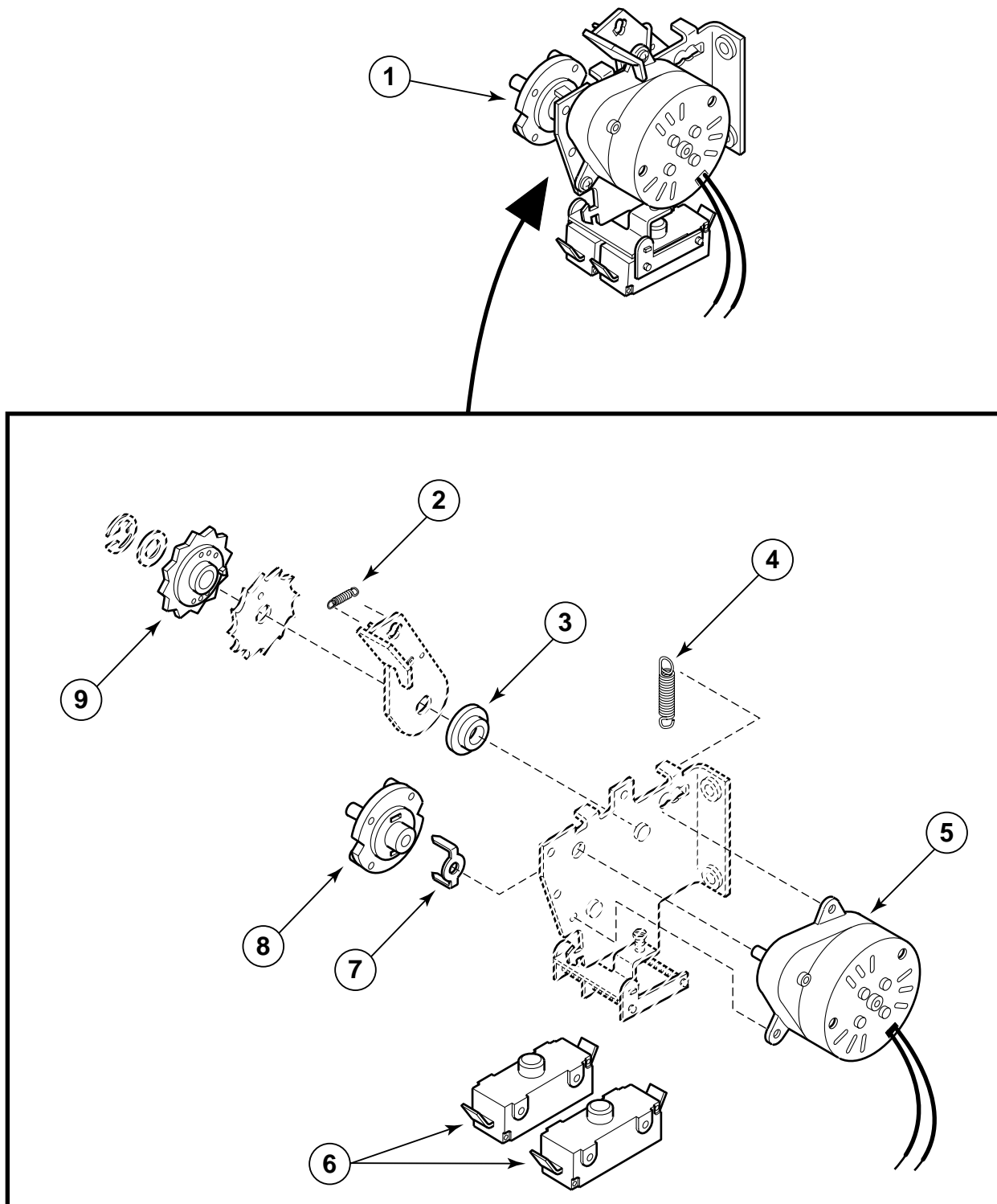
(Models SDE707\*A, SDE707\*A1500 and SDG709\*A)

REF	PART #	DESCRIPTION	COMMENTS
1	503673	Screw	
2	35798*	Service Door	
3	30642	Bracket	
4	30647	Retainer Nut	
5	02431	Lockwasher	
6	02916	Cap Screw	
7	38145*	Security Case	
8	37526	Gasket	
9	502567*	Control Hood	
10	501740*P	Cabinet Top	
11	23225	Vinyl Washer	
12	02505	Carriage Bolt	
13	30627	Washer	
14	23962	Screw	
15	02431	Lockwasher	
16	52566	Locknut	
17	38192	Instructions	
18	29786	Locknut	
19	38194	Card Reader	
20	503661	Screw	
21	38754	Shield	

\* Add Letter To Designate Color. L – Almond W – White

# Two Switch Timer

(Models HDE107\*A, HDE107\*C, HDG109\*A, HDG109\*C, SDE107\*A, SDE107\*A1500 and SDG109\*A)



D308PZ3A

\* Add Letter To Designate Color. L – Almond W – White

# Two Switch Timer

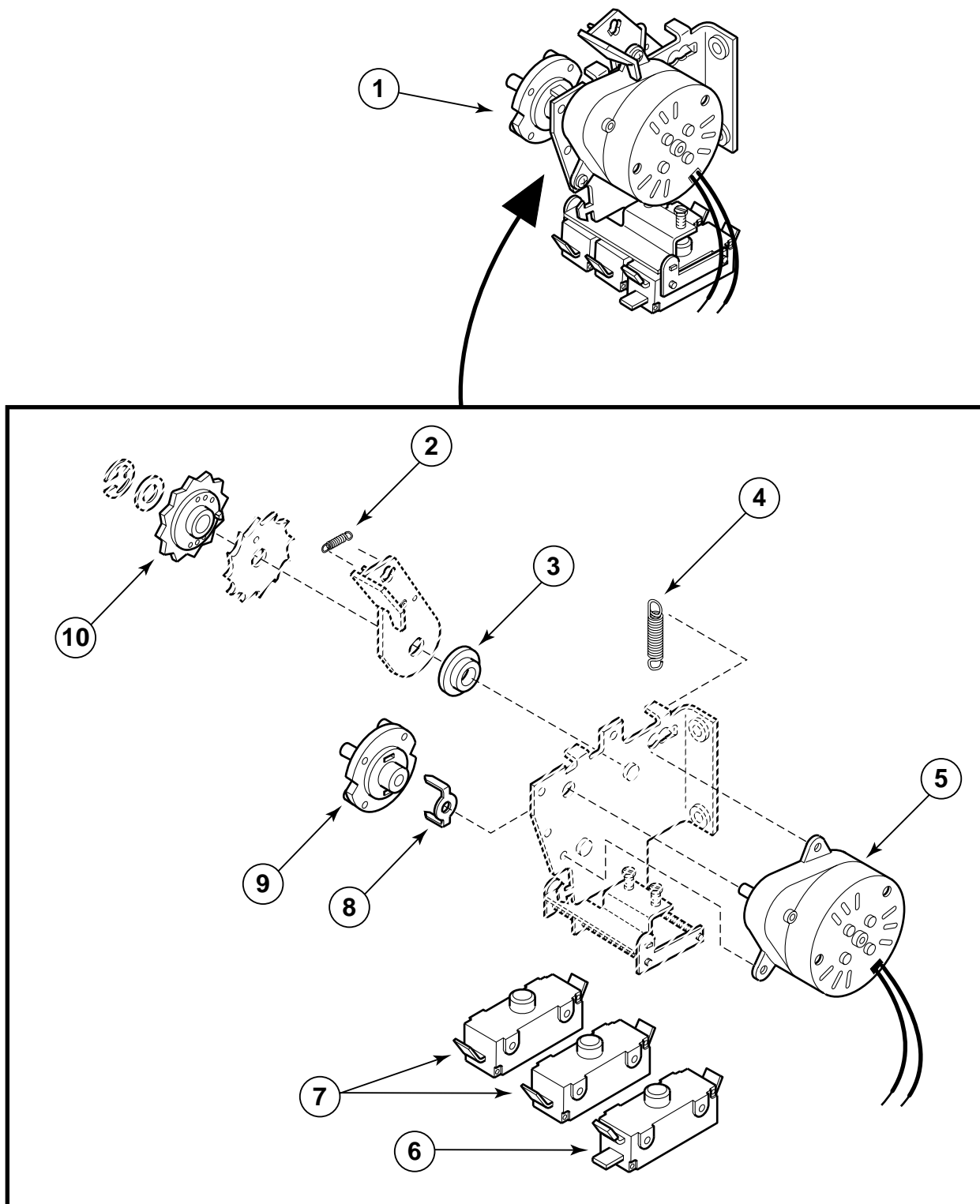
(Models HDE107\*A, HDE107\*C, HDG109\*A, HDG109\*C, SDE107\*A, SDE107\*A1500 and SDG109\*A)

REF	PART #	DESCRIPTION	COMMENTS
1	501757	Timer Assembly	
2	53244	Pawl Spring	
3	53262	Nylon Bushing	
4	53238	Index Spring	
5	53235	Timing Motor	
6	53236	Switch	
7	M400754	Timing Cam Drive	
8	53240	Timing Cam	60 Minute (3 Pins)
	53241	Timing Cam	45 Minute (4 Pins)
	53242	Timing Cam	30 Minute (6 Pins)
	53243	Timing Cam	20 Minute (9 Pins)
9	53239	Ratchet Wheel	

\* Add Letter To Designate Color. L – Almond W – White

# Three Switch Timer

(Models SDE307\*A, SDE307\*A1500 and SDG309\*A)



D309PZ3A

\* Add Letter To Designate Color. L – Almond W – White

# Three Switch Timer

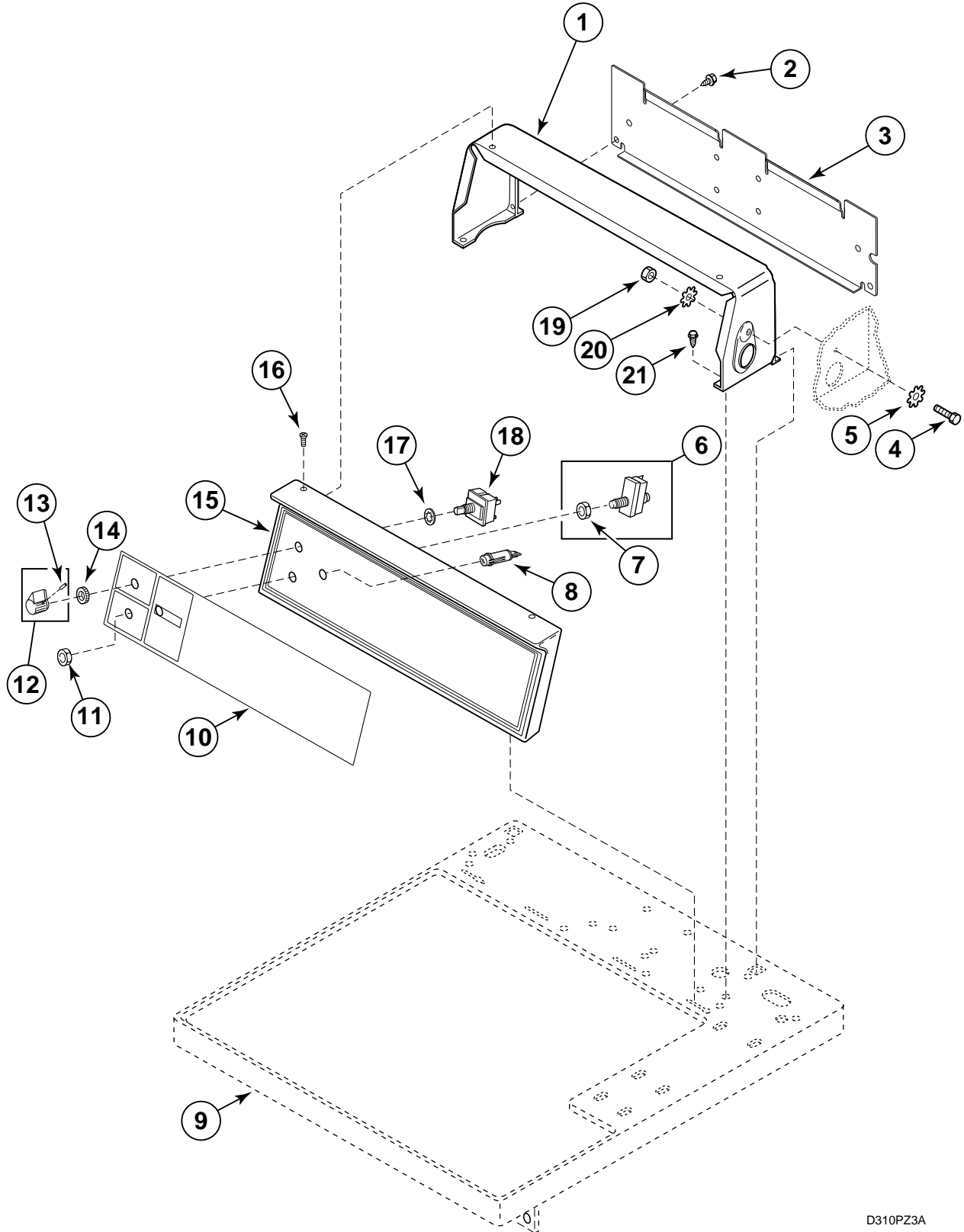
(Models SDE307\*A, SDE307\*A1500 and SDG309\*A)

REF	PART #	DESCRIPTION	COMMENTS
1	501756	Timer Assembly	
2	53244	Pawl Spring	
3	53262	Nylon Bushing	
4	53238	Index Spring	
5	53235	Timing Motor	
6	61468	Switch	
7	53236	Switch	
8	M400754	Timing Cam Drive	
9	53240	Timing Cam	60 Minute (3 Pins)
	53241	Timing Cam	45 Minute (4 Pins)
	53242	Timing Cam	30 Minute (6 Pins)
	53243	Timing Cam	20 Minute (9 Pins)
10	53239	Ratchet Wheel	

\* Add Letter To Designate Color. L – Almond W – White

# Control Panel, Control Hood and Controls

(Models HDE007\*A, HDE007\*C, HDE107\*A, HDE107\*C, HDG009\*A, HDG009\*C, HDG109\*A, HDG109\*C, SDE007\*A, SDE007\*A1500, SDE107\*A, SDE107\*A1500, SDE307\*A, SDE307\*A1500, SDG009\*A, SDG109\*A, SDG309\*A, UDE007\*A and UDG009\*A)



D310PZ3A

\* Add Letter To Designate Color. L – Almond W – White

## Control Panel, Control Hood and Controls

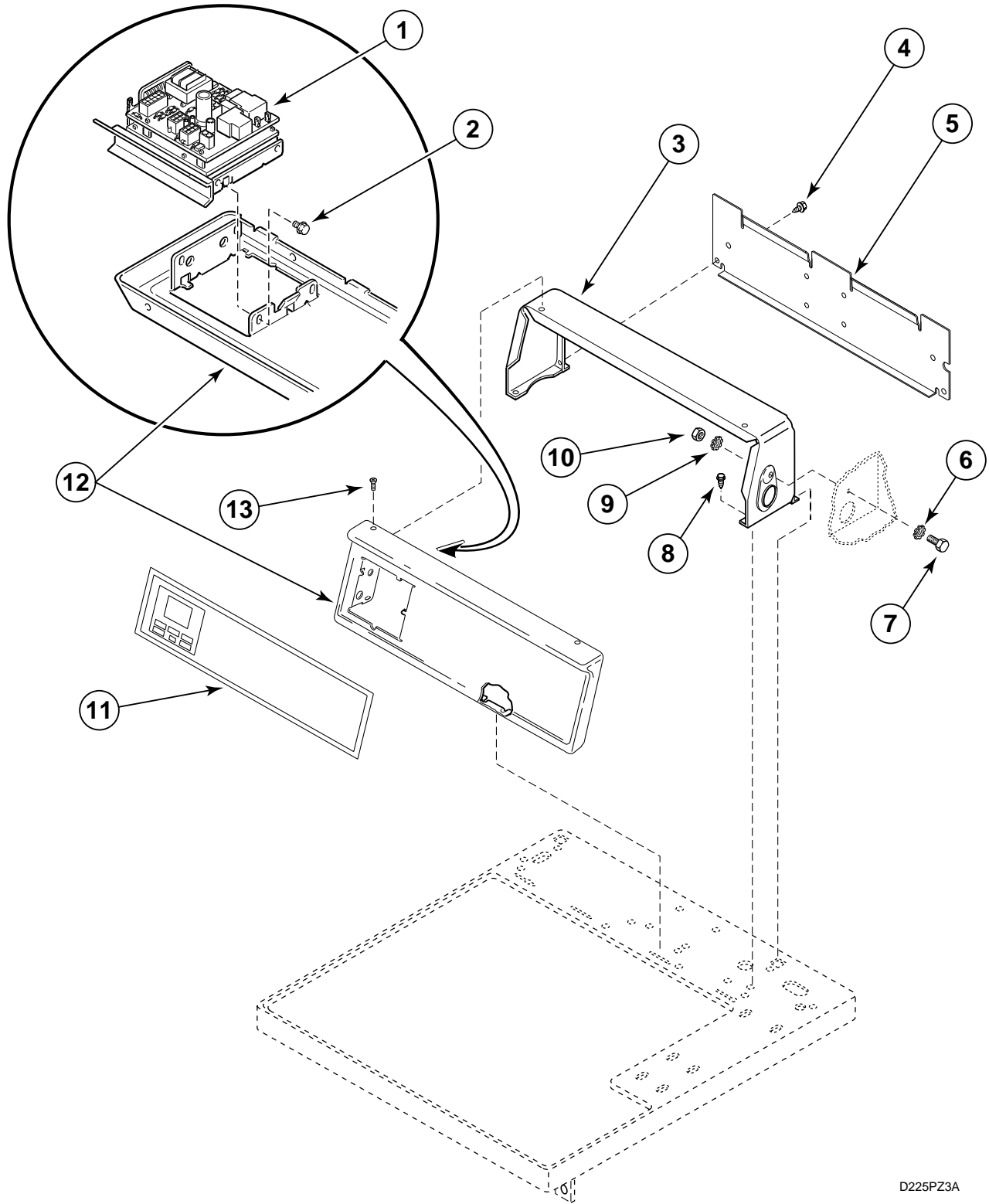
(Models HDE007\*A, HDE007\*C, HDE107\*A, HDE107\*C, HDG009\*A, HDG009\*C, HDG109\*A, HDG109\*C,  
SDE007\*A, SDE007\*A1500, SDE107\*A, SDE107\*A1500, SDE307\*A, SDE307\*A1500, SDG009\*A,  
SDG109\*A, SDG309\*A, UDE007\*A and UDG009\*A)

REF	PART #	DESCRIPTION	COMMENTS
	281P4	Torx Bit	Use with 35528 screw
	24161	Torx Bit Holder	Use with 35528 screw
1	60357*	Control Hood	
2	501086	Screw	
3	62679	Control Hood Rear Panel	
4	02916	Cap Screw	
5	02431	Lockwasher	
6	55882	Push-to-Start Switch Assembly	
7	52947	Nut	
8	32464	Indicator Light	
9	501720*P	Cabinet Top	
10	504594	Graphic Overlay	Models SDE007*A, SDE007*A1500, SDE107*A, SDE107*A1500, SDE307*A, SDE307*A1500, SDG009*A, SDG109*A and SDG309*A
	504591	Graphic Overlay	Models UDE007*A and UDG009*A
	504575	Graphic Overlay	Models HDE007*A, HDE007*C, HDE107*A, HDE107*C, HDG009*A, HDG009*C, HDG109*A AND HDG109*C
11	52947	Nut	Included with 55882 Switch
12	35182	Control Knob Assembly	
13	20310	Set Screw	
14	24205	Knurled Nut	
15	501738*	Control Panel and Bracket Assembly	
16	505295	Phillips Head Screw	
	35528	Torx Head Screw	Optional for added security
17	91176	Lockwasher	
18	61512	Temperature Selector Switch	
19	52566	Nut	
20	02431	Lockwasher	
21	501086	Screw	

\* Add Letter To Designate Color. L – Almond W – White

# Control Panel, Control Hood and Electronic Control

(Models SDE407\*A, SDE407\*A1500, SDE407\*D, SDE407\*D1500, SDE507\*A, SDE507\*A1500, SDE607\*A, SDE607\*A1500, SDE607\*D, SDE607\*D1500, SDE607\*C, SDE607\*C1500, SDE707\*A, SDE707\*A1500, SDG409\*A, SDG409\*D, SDG509\*A, SDG609\*A, SDG609\*C, SDG609\*D and SDG709\*A)



D225PZ3A

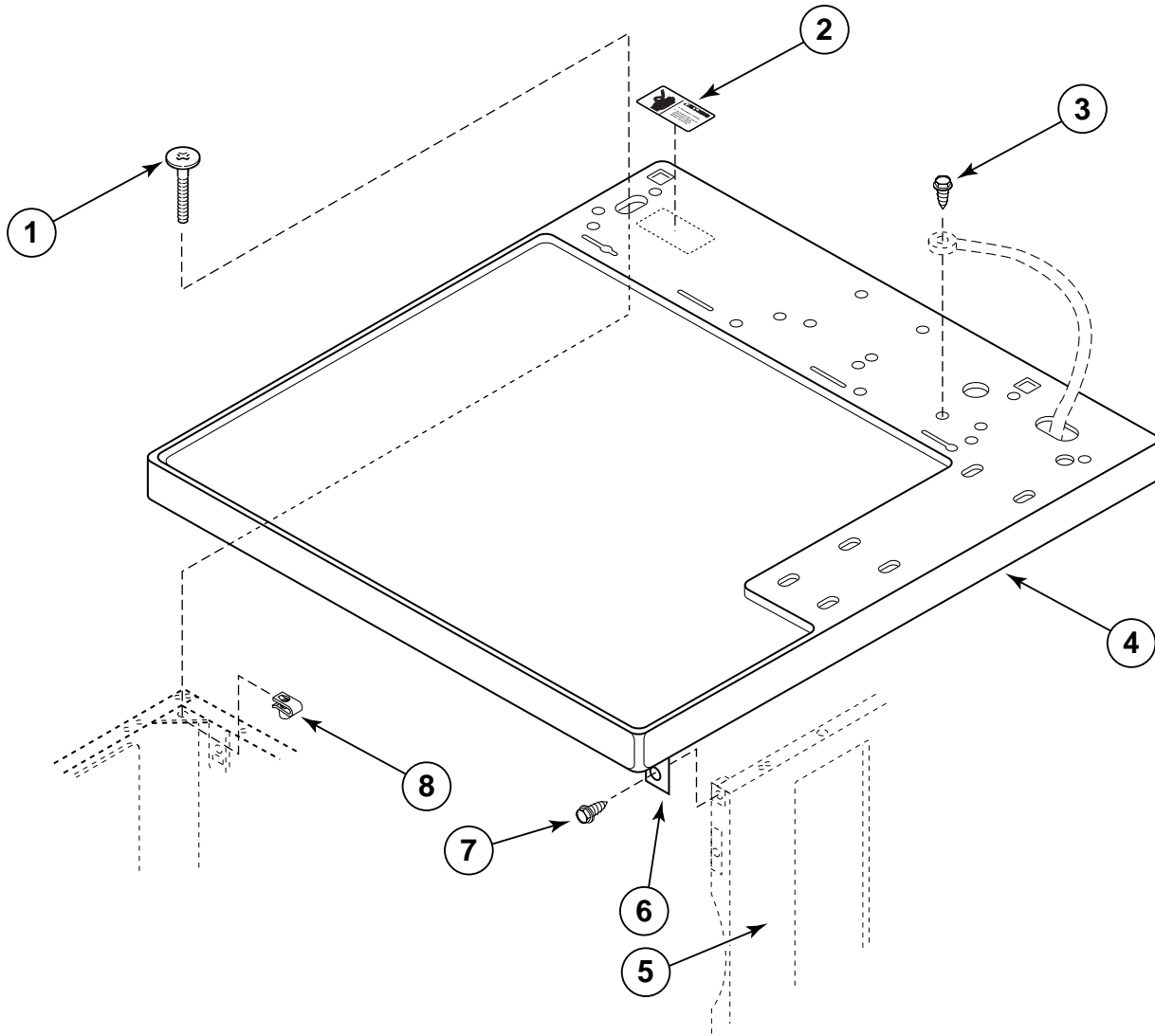
## Control Panel, Control Hood and Electronic Control

(Models SDE407\*A, SDE407\*A1500, SDE407\*D, SDE407\*D1500, SDE507\*A, SDE507\*A1500, SDE607\*A, SDE607\*A1500, SDE607\*D, SDE607\*D1500, SDE607\*C, SDE607\*C1500, SDE707\*A, SDE707\*A1500, SDG409\*A, SDG409\*D, SDG509\*A, SDG609\*A, SDG609\*C, SDG609\*D and SDG709\*A)

REF	PART #	DESCRIPTION	COMMENTS
1	M411878P	Control and Shield	
2	501524	Screw	
3	60357*	Control Hood	
4	501086	Screw	
5	62679	Control Hood Rear Panel	
6	02431	Lockwasher	
7	02916	Cap Screw	
8	501086	Screw	
9	02431	Lockwasher	
10	52566	Nut	
11	504113	Graphic Overlay	
12	501359*	Control Panel	
13	500226	Screw	

\* Add Letter To Designate Color. L – Almond W – White

# Cabinet Top



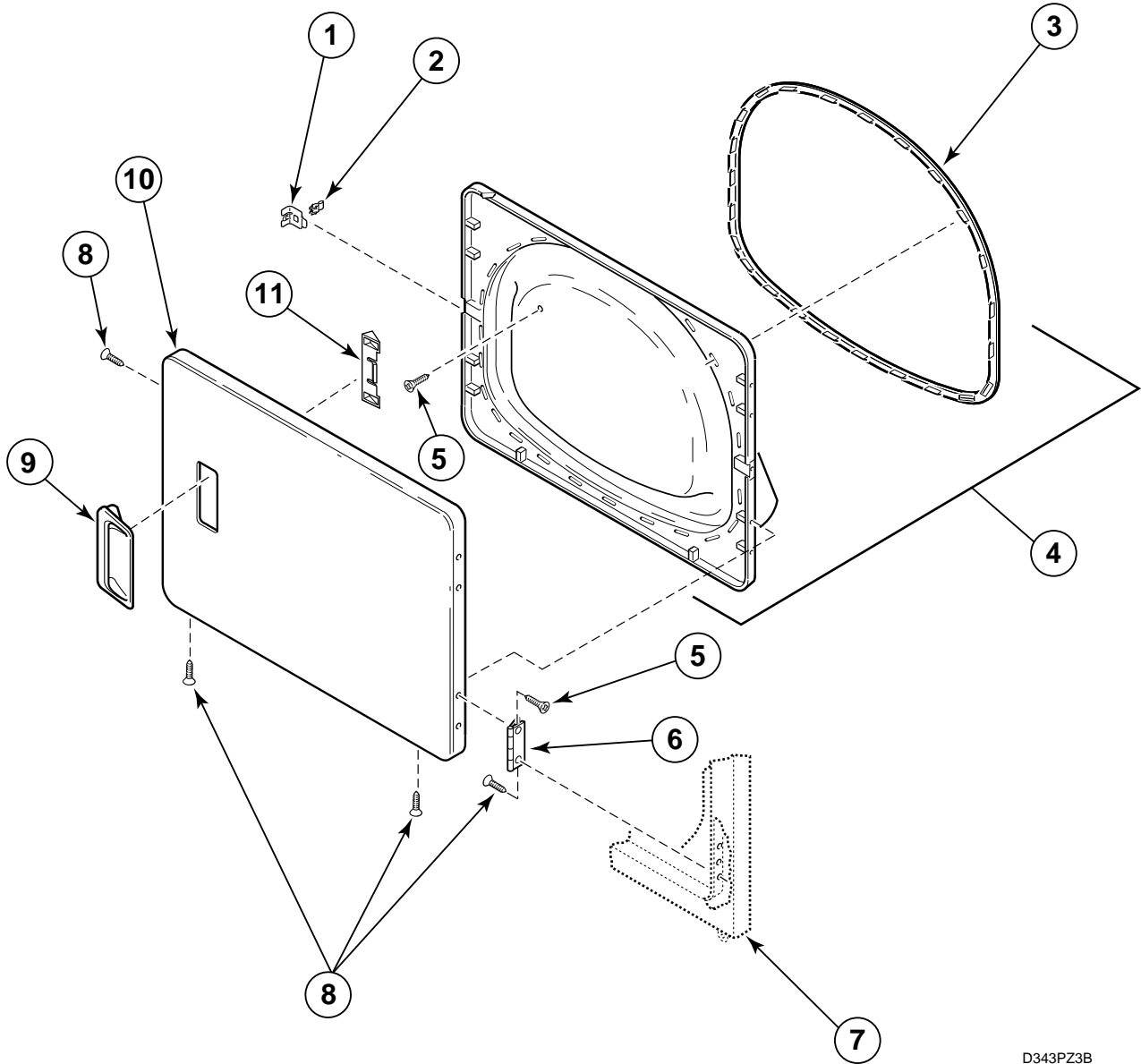
D311PZ3A

# Cabinet Top

REF	PART #	DESCRIPTION	COMMENTS
1	503673	Screw	
2	505485	Label	
3	503688	Screw	
4	501720*P	Cabinet Top	Metered Models
	501740*P	Cabinet Top	Nonmetered Models
5	500001*P	Cabinet	
6	500084	Hold-Down Bracket	
7	503661	Screw	
8	27222	Retainer Nut	Metered Models

\* Add Letter To Designate Color. L – Almond W – White

# Loading Door



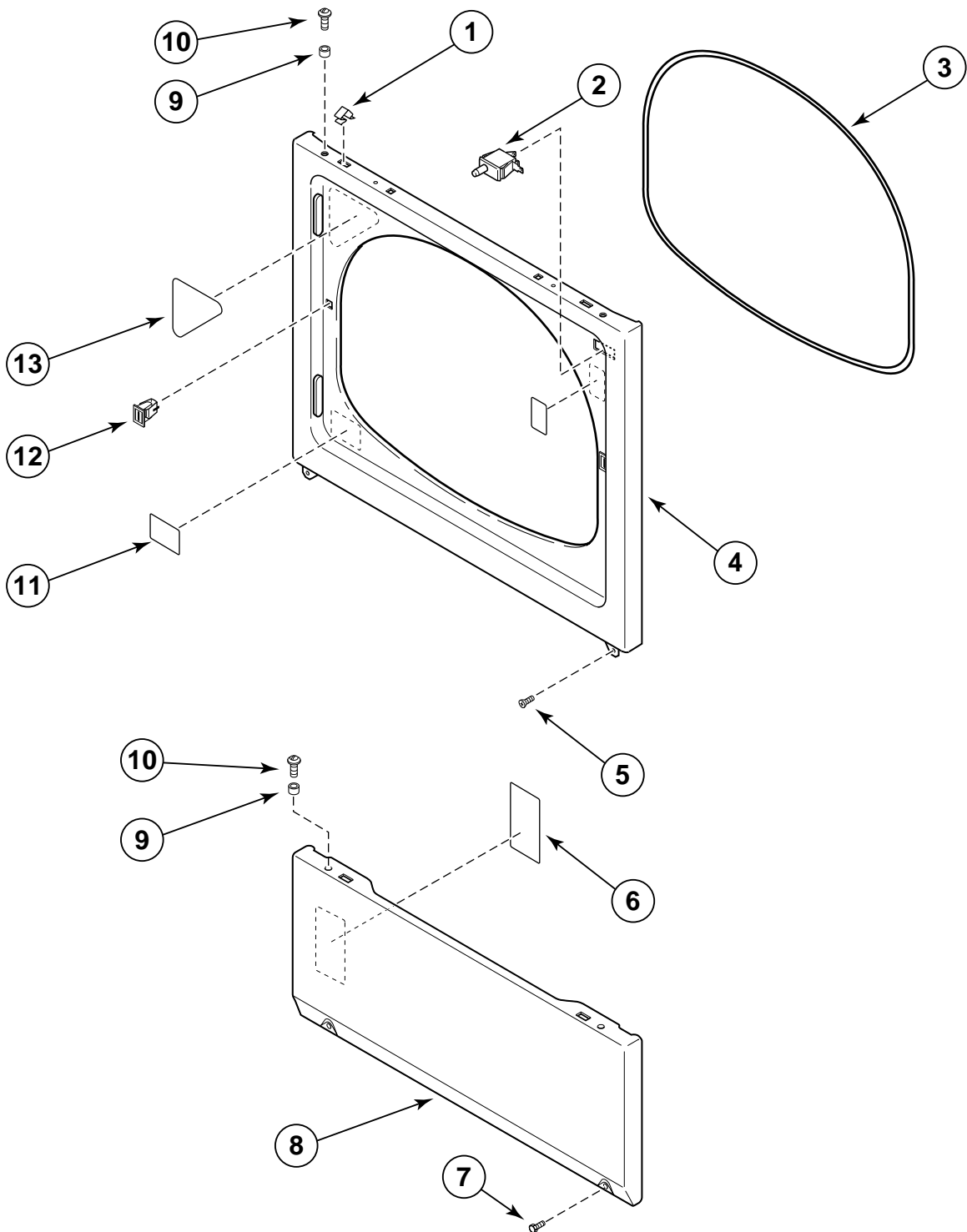
D343PZ3B

# Loading Door

REF	PART #	DESCRIPTION	COMMENTS
1	500223	Door Striker Bracket	
2	500039	Door Striker	
3	503645	Door Seal	
4	504599W	Inner Door Panel and Seal Assembly	
5	505295	Screw	
6	503676	Door Hinge	
7	503656*	Front Panel	
8	500226	Screw	
9	503646*	Door Pull	
10	503654*	Outer Door Panel	
11	505328	Wedge	

\* Add Letter To Designate Color. L – Almond W – White

# Access Panel, Front Panel and Seal



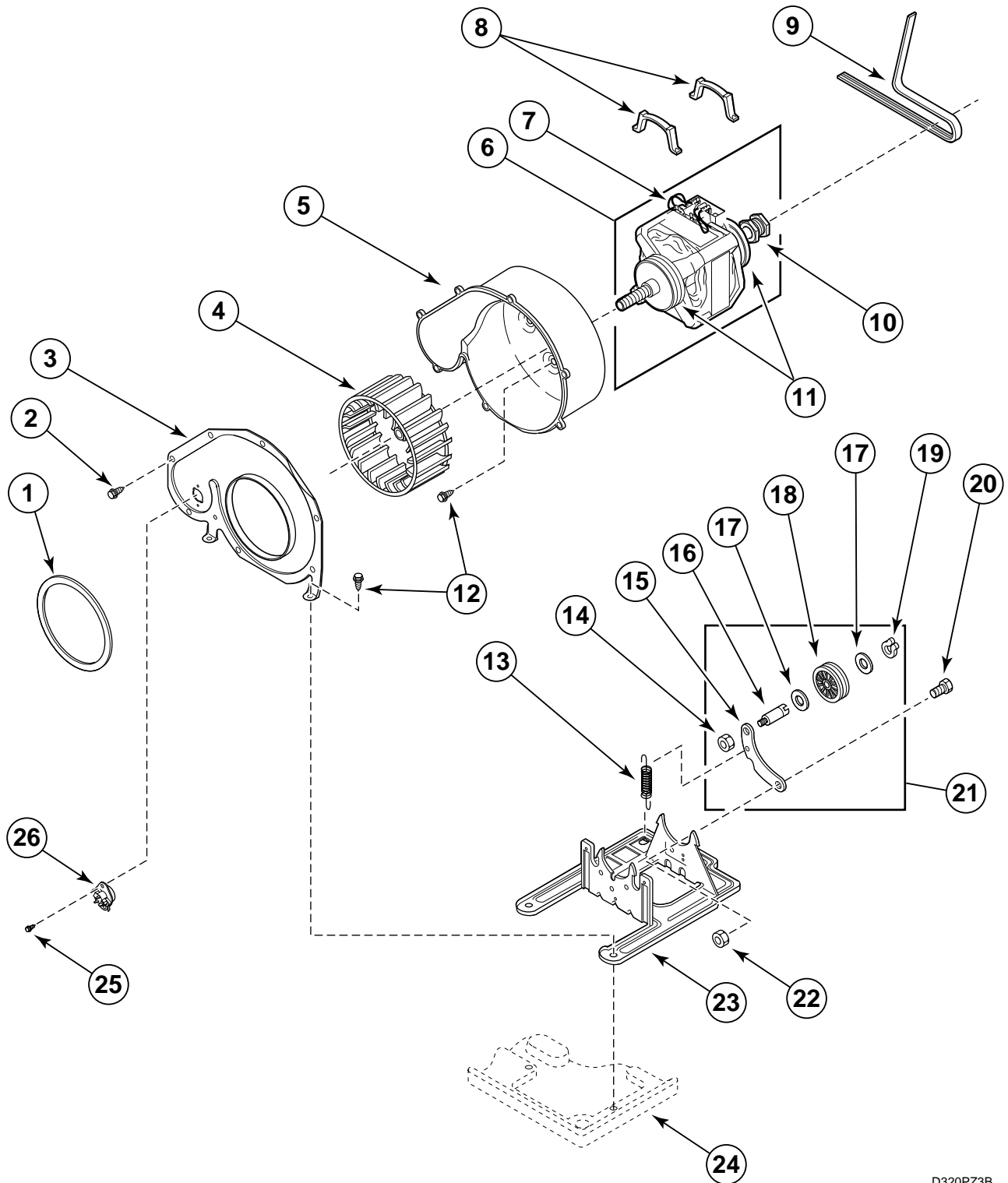
D313PZ3A

## Access Panel, Front Panel and Seal

REF	PART #	DESCRIPTION	COMMENTS
	282P4	Torx Bit	Use with 62853 screw
	24161	Torx Bit Holder	Use with 62853 screw
<b>1</b>	56080	Hold-down Clip	
<b>2</b>	504570	Door Switch	
<b>3</b>	504005	Front Panel Seal	
<b>4</b>	503656*	Front Panel	
<b>5</b>	503661	Screw	
<b>6</b>	502790	Label	Gas Models
<b>7</b>	503661	Slotted Hex Head Screw	
	62853	Torx Head Screw	Optional for added security
<b>8</b>	503796*	Access Panel	
<b>9</b>	56079	Locator	
<b>10</b>	32671	Screw	
<b>11</b>	500347	Label	
<b>12</b>	54660	Door Catch	
<b>13</b>	500281	Label	

\* Add Letter To Designate Color. L – Almond W – White

# Motor, Exhaust Fan and Belt



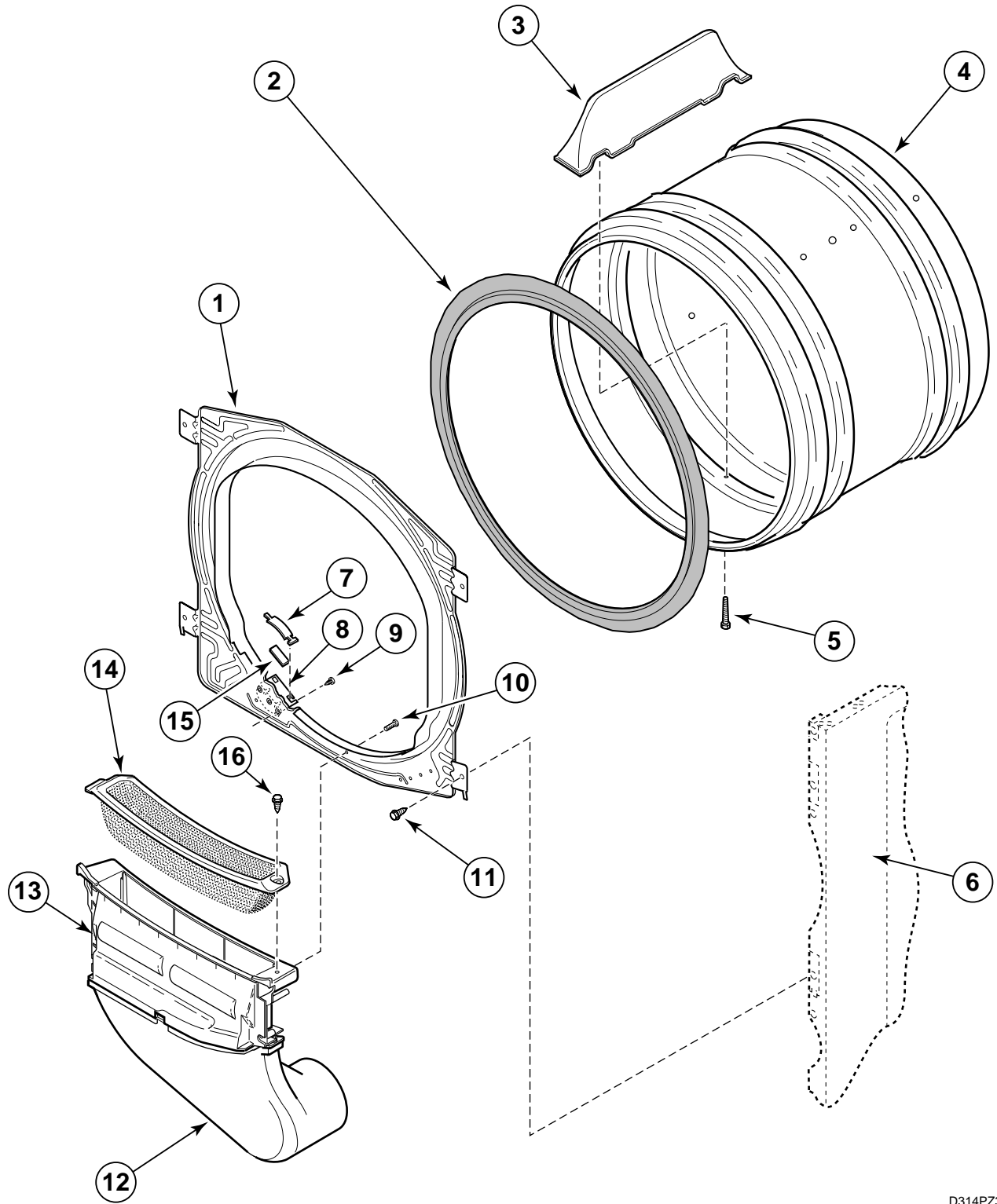
D320PZ3B

## Motor, Exhaust Fan and Belt

REF	PART #	DESCRIPTION	COMMENTS
1	504018	Seal	
2	31260	Screw	
3	500078	Exhaust Fan Cover	
4	56000	Exhaust Fan Impeller	
5	56020	Exhaust Fan Housing	
6	502368P	Motor Assembly	Includes 500011 Motor Pulley and 501218 Motor Switch
7	501218P	Motor Switch	Does not include thermal protector
8	58047	Motor Mounting Clamp	
9	59174	Belt	
10	500011	Motor Pulley	
11	590P3	Motor Hub Ring Kit	
12	503661	Screw	
13	56076	Spring	
14	56156	Locknut	
15	500910	Idler Lever	
16	56461	Shaft	
17	52549	Washer	
18	54414	Idler Pulley	
19	23748	Retainer Ring	
20	500824	Shoulder Screw	
21	500269	Idler Pulley and Lever Assembly	
22	52566	Locknut	
23	503613	Motor Mounting Bracket	
24	500070	Base	
25	33561	Screw	
26	504515	Thermostat	Models HDE007*A, HDE007*C, HDE107*A, HDE107*C, HDG009*A, HDG009*C, HDG109*A, HDG109*C, SDE007*A, SDE007*A1500, SDE107*A, SDE107*A1500, SDE307*A, SDE307*A1500, SDG009*A, SDG109*A, SDG309*A, UDE007*A and UDG009*A
	59500	Thermistor	Models SDE407*A, SDE407*A1500, SDE407*D, SDE407*D1500, SDE507*A, SDE507*A1500, SDE607*A, SDE607*A1500, SDE607*D, SDE607*D1500, SDE607*C, SDE607*C1500, SDE707*A, SDE707*A1500, SDG409*A, SDG409*D, SDG509*A, SDG609*A, SDG609*C, SDG609*D and SDG709*A

\* Add Letter To Designate Color. L – Almond W – White

# Front Bulkhead, Air Duct, Felt Seal and Cylinder



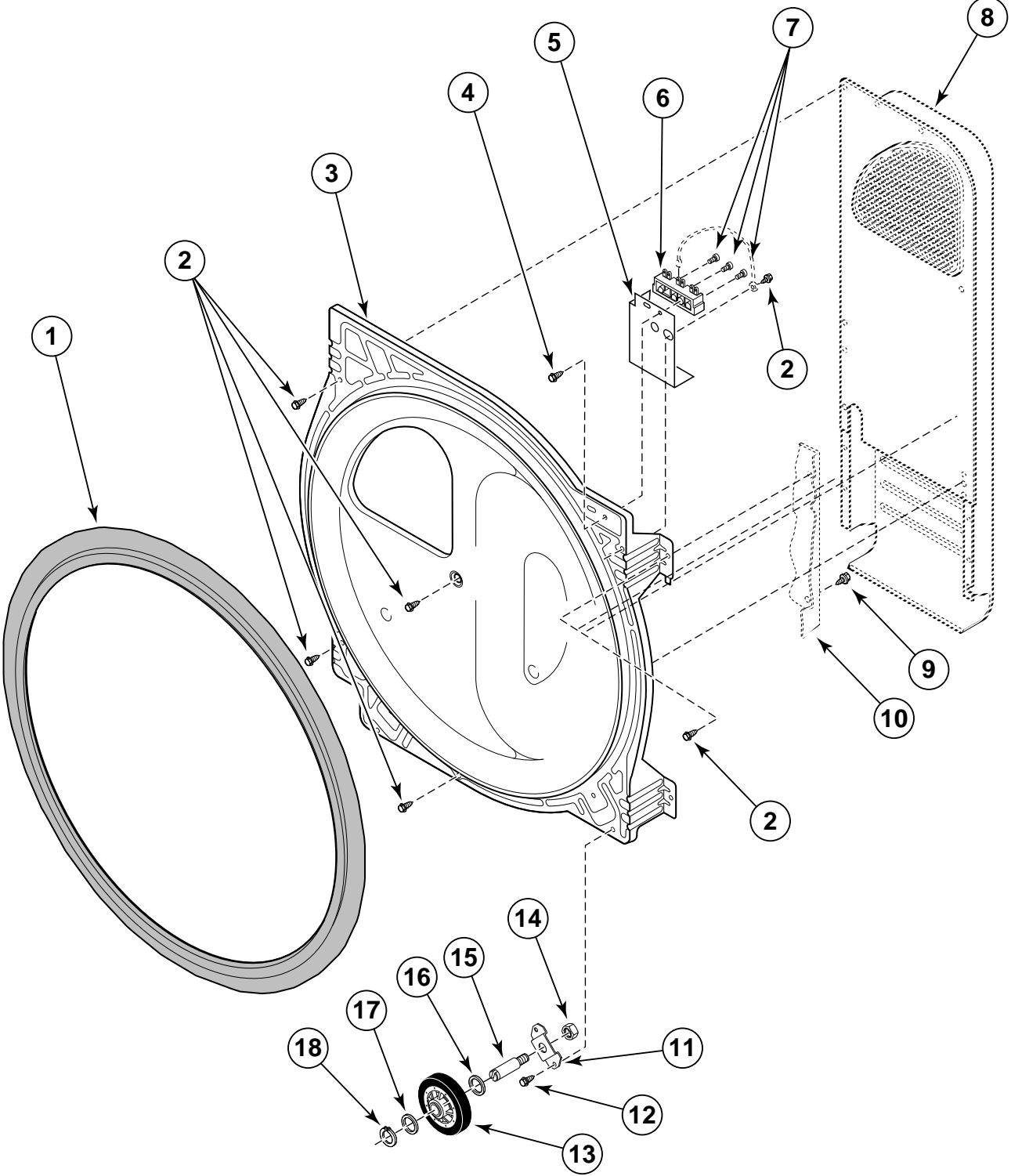
D314PZ3A

## Front Bulkhead, Air Duct, Felt Seal and Cylinder

REF	PART #	DESCRIPTION	COMMENTS
	22506P	Adhesive for Cylinder Seal	
1	504251	Front Bulkhead	
2	501801	Cylinder Seal	
3	503703	Baffle	
4	504466P	Cylinder Assembly	Includes baffles
5	62588	Screw	
6	500001*P	Cabinet	
7	501676	Cylinder Glide	Two required per side
8	501554	Glide Bracket	
9	505295	Screw	
10	500226	Screw	
11	503688	Screw	
12	503626	Lower Air Duct Assembly	
13	505529	Upper Air Duct Assembly	
14	503980	Lint Filter	
15	500121	Felt Pad	
16	501285	Screw	

\* Add Letter To Designate Color. L – Almond W – White

# Rear Bulkhead, Felt Seal, Cylinder Roller and Terminal Block



D291PZ3D

## Rear Bulkhead, Felt Seal, Cylinder Roller and Terminal Block

REF	PART #	DESCRIPTION	COMMENTS
	22506P	Adhesive for Cylinder Seal	
1	501801	Cylinder Seal	
2	503661	Screw	
3	505244	Rear Bulkhead	
4	501285	Screw	
5	504185	Shield	Electric Models only
6	61923P	Terminal Block	Includes three 61199 Screws – Electric Models
7	61199	Screw	
8	503607P	Heater Duct Assembly	Includes 500820 outlet cover
9	503688	Screw	
10	500001*P	Cabinet	
11	500062	Roller Bracket	
12	503688	Screw	
13	500214P	Cylinder Roller	
14	56156	Locknut	
15	56461	Shaft	
16	504082	Washer	
17	52549	Washer	
18	23748	Retainer Ring	

\* Add Letter To Designate Color. L – Almond W – White



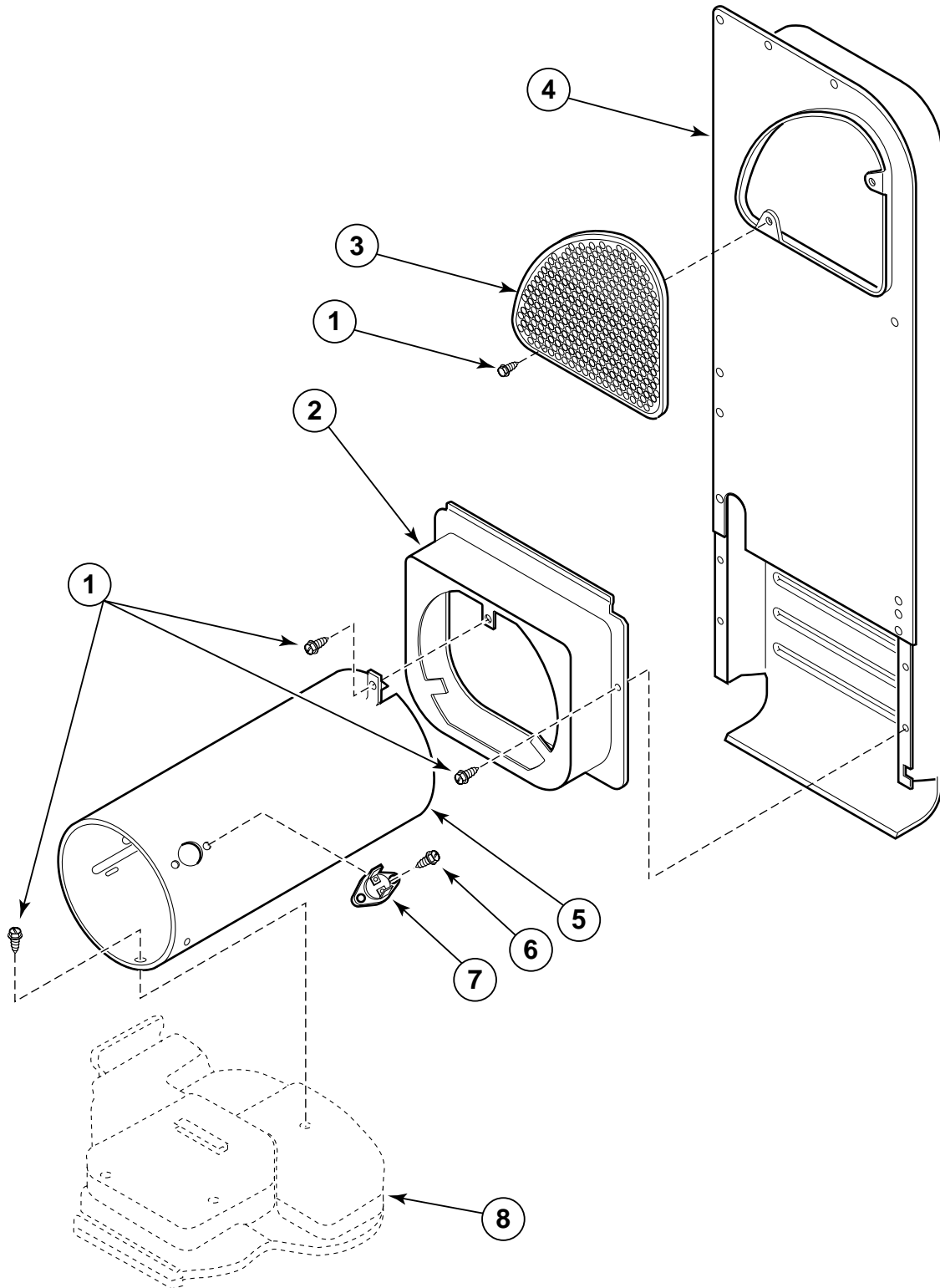
# Heater Duct and Element Assembly

(Electric Model Dryers)

REF	PART #	DESCRIPTION	COMMENTS
1	503688	Screw	
2	500820	Outlet Cover	
3	503607P	Heater Duct Assembly	Includes 500820 outlet cover
4	503688	Screw	
5	62600	Thermal Fuse	
6	23222	Screw	
7	62641	Limit Thermostat	
8	503978	Heater Assembly	All models except those with 1500 suffix.
	61928	Heater Assembly	Models with 1500 suffix.

# Heater Duct Assembly

(Gas Model Dryers)



D315PZ3B

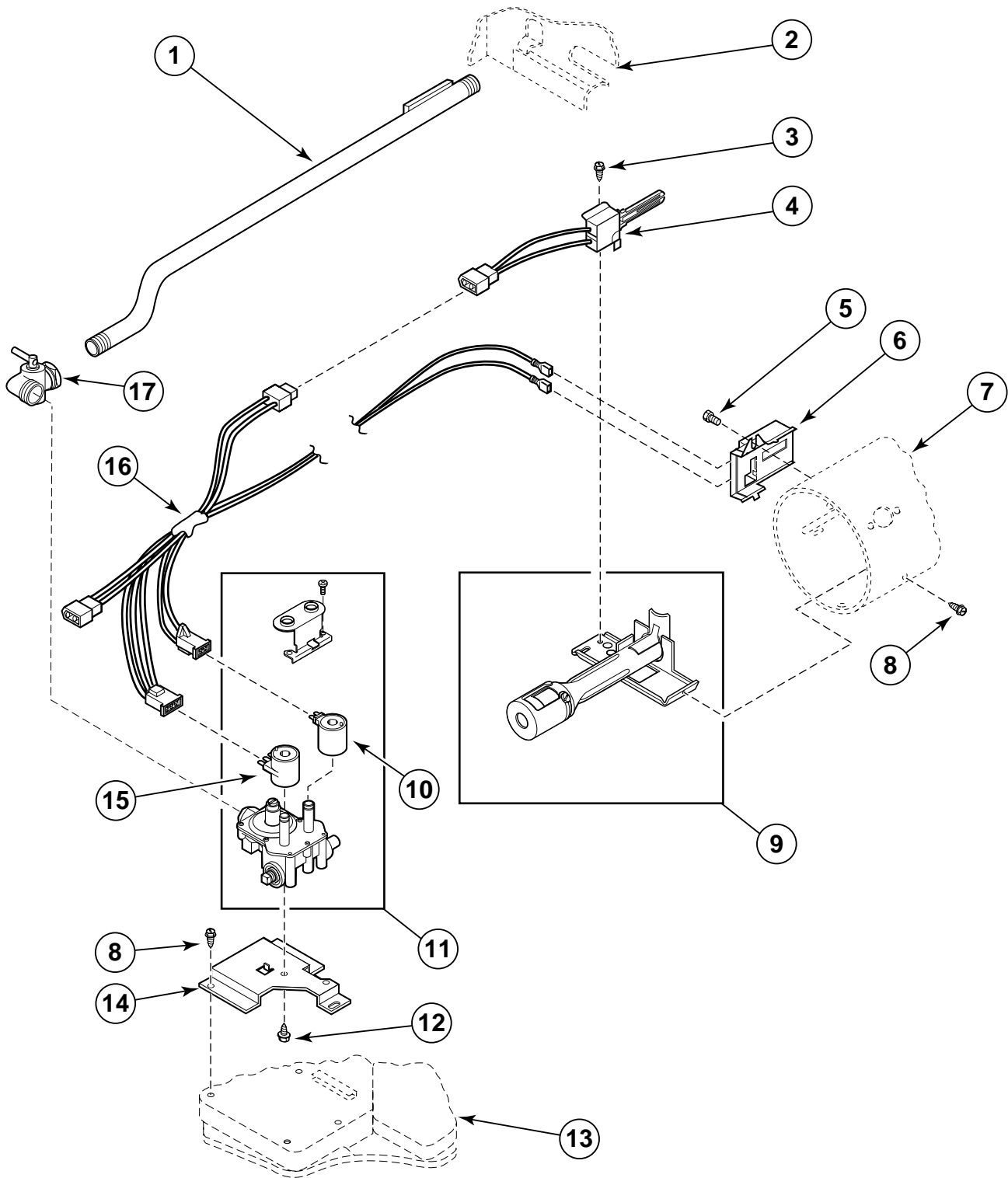
# Heater Duct Assembly

(Gas Model Dryers)

REF	PART #	DESCRIPTION	COMMENTS
1	503688	Screw	
2	500122	Heat Shroud	
3	500820	Outlet Cover	
4	503607P	Heater Duct Assembly	Includes 500820 outlet cover
5	61888	Combustion Duct	
6	51782	Screw	
7	61886	Limit Thermostat	Color Code "Black"
8	500070	Base	

# Gas Valve, Igniter and Gas Conversion Kits

(Gas Model Dryers)



D303PZ3A

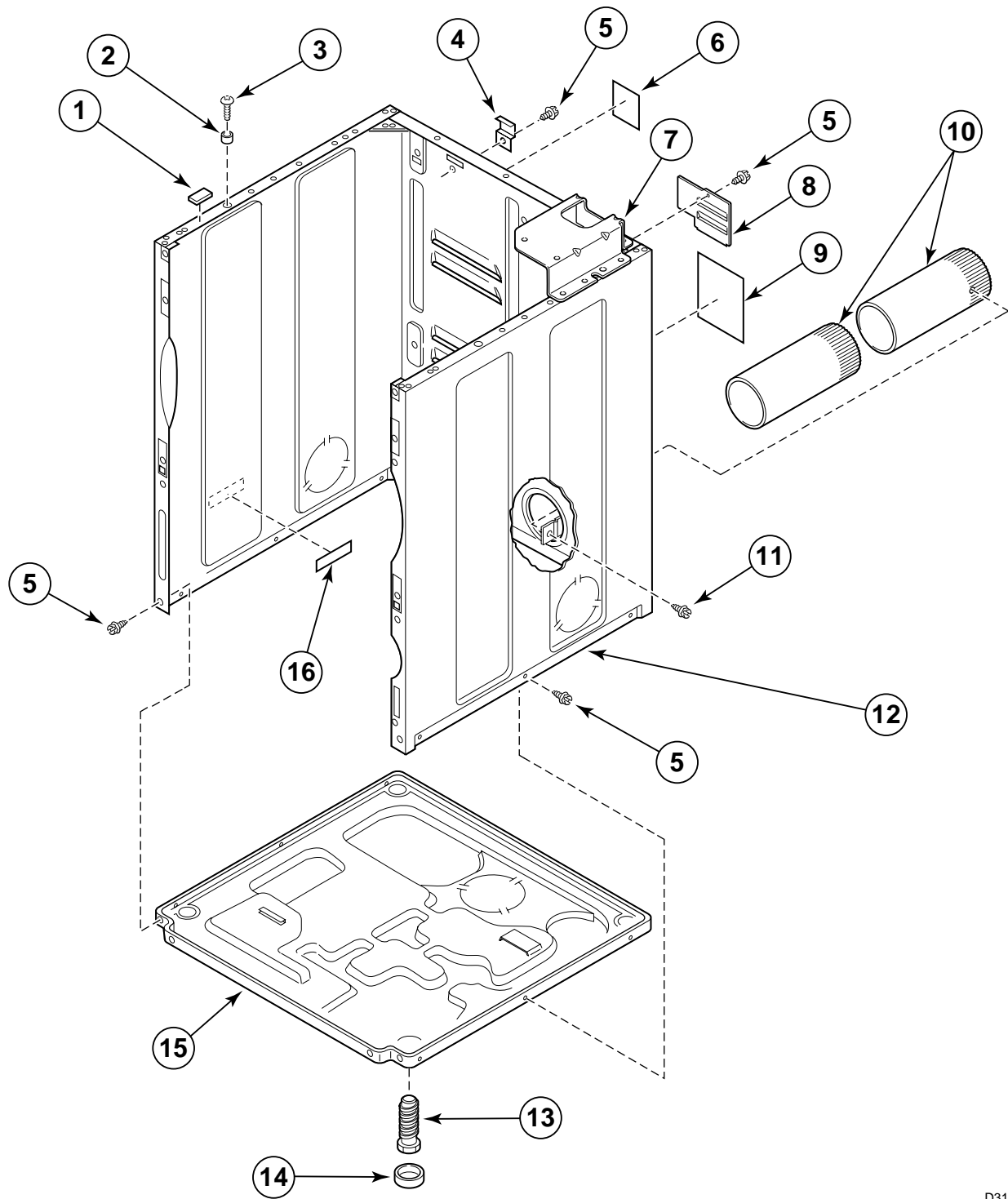
# Gas Valve, Igniter and Gas Conversion Kits

(Gas Model Dryers)

REF	PART #	DESCRIPTION	COMMENTS
	458P3	Gas Burner Conversion Kit	Used to convert dryers from Natural/Mixed to LP Gas
	459P3	Gas Burner Conversion Kit	Used to convert dryers from LP to Natural/Mixed Gas
1	500647	Lead-In Pipe Assembly	
2	500001*P	Cabinet	
3	51782	Screw	
4	60868	Igniter and Bracket Assembly	
5	23222	Screw	
6	56231	Sensor	
7	61888	Combustion Duct	
8	503688	Screw	
9	56234	Burner Assembly	
10	58804B	Secondary Coil	
11	60353	Gas Valve Assembly	
12	56124	Screw	
13	500070	Base	
14	500821	Mounting Bracket	
15	58804A	Holding and Booster Coil	
16	60641	Wire Harness	
17	56229	Shut-off Valve	

\* Add Letter To Designate Color. L – Almond W – White

# Cabinet, Exhaust Duct and Base



D316PZ3A

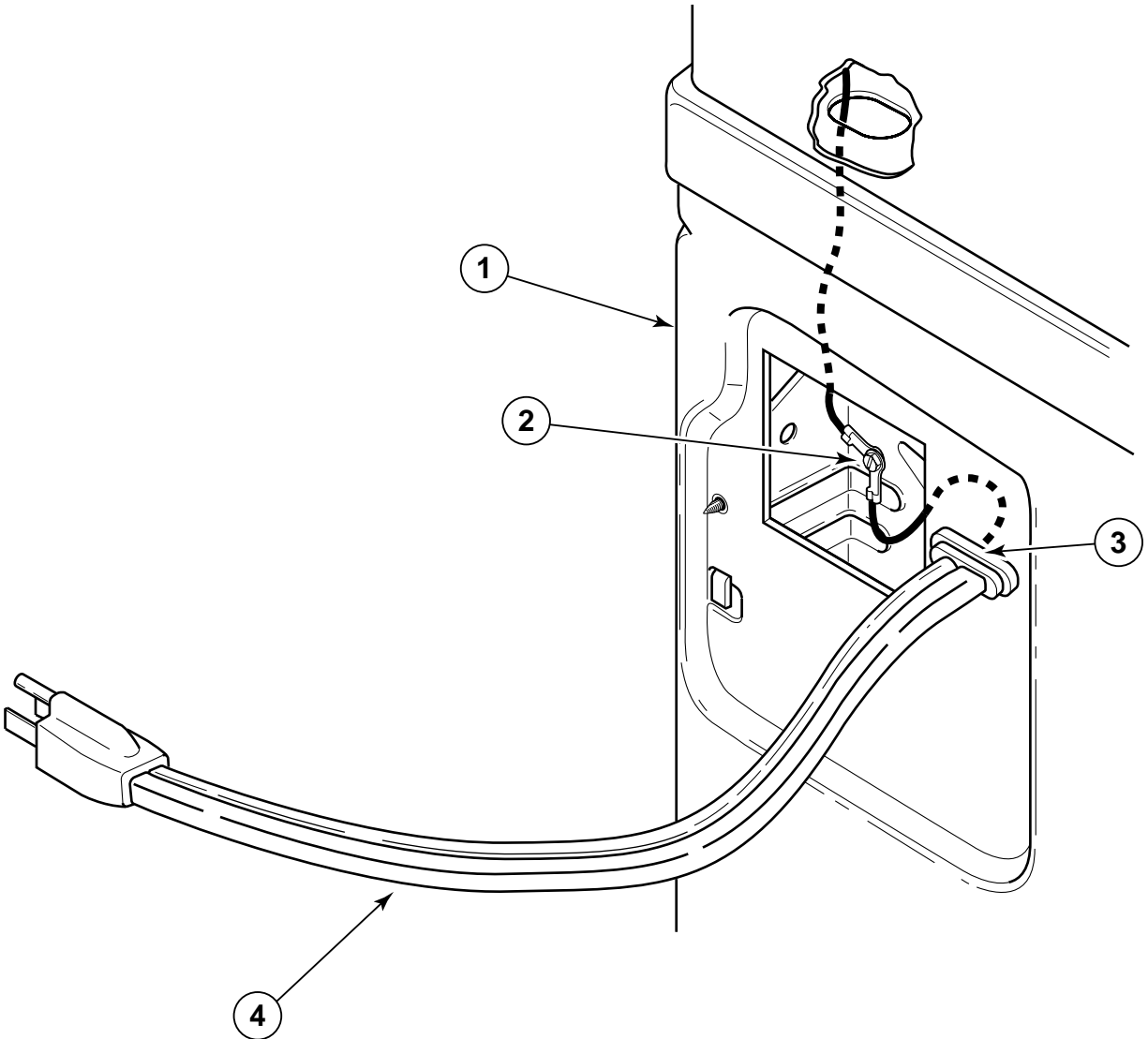
## Cabinet, Exhaust Duct and Base

REF	PART #	DESCRIPTION	COMMENTS
	521P3	Flexible Venting Kit	
	528P3	Directional Exhaust Kit	Used to vent dryer out the sides or bottom
1	56128	Bumper	
2	56079	Locator	
3	32671	Screw	
4	500003	Top Hinge	
5	503661	Screw	
6	500670	Label	Gas Models
7	503456	Bracket	
8	500114	Access Cover Plate	
9	501289	Label	Electric Models
10	500064	Exhaust Duct	Each dryer requires two pieces
11	503688	Screw	
12	500001*P	Cabinet	
13	500101	Leveling Leg	
14	501855	Rubber Foot	
15	500070	Base	
16	61294	Label	Electric Models

\* Add Letter To Designate Color. L – Almond W – White

# Power Cord

(All Gas Models)



D298PZ3B

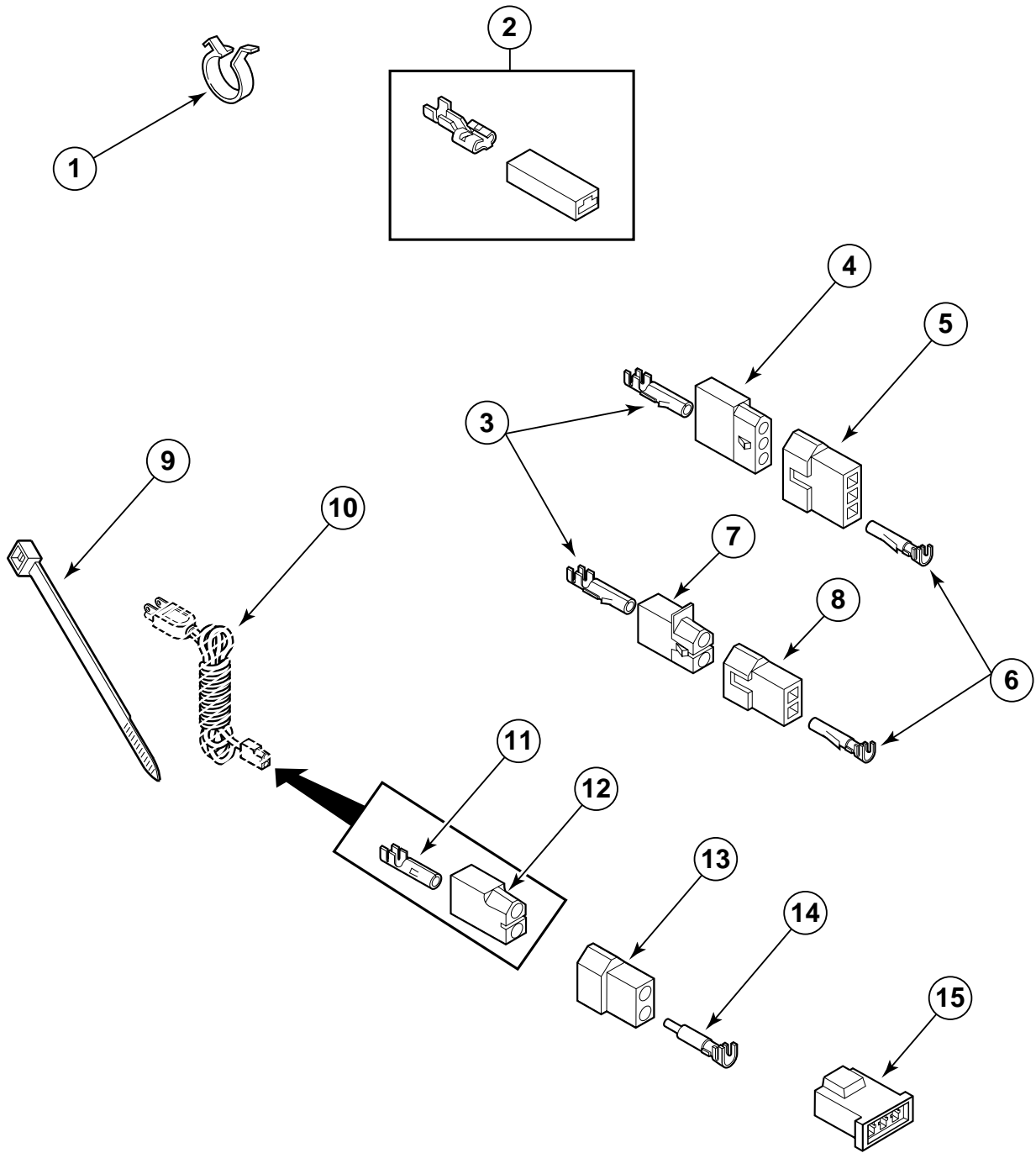
# Power Cord

(All Gas Models)

REF	PART #	DESCRIPTION	COMMENTS
1	500001*P	Cabinet	
2	20530	Screw	
3	21903	Strain Relief	
4	59308	Power Cord	

\* Add Letter To Designate Color. L – Almond W – White

# Terminal Block and Terminals

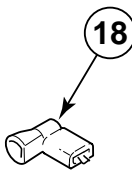
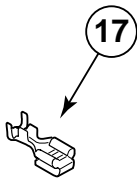
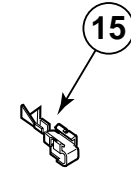
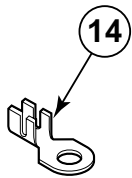
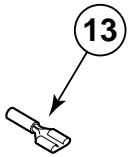
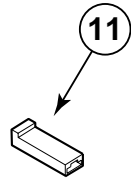
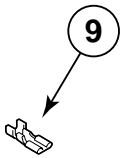
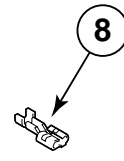
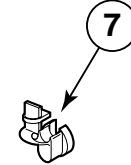
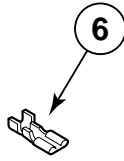
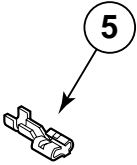
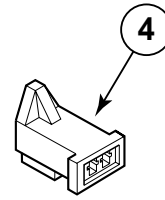
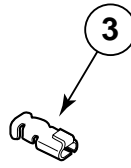
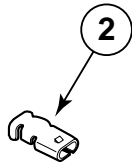
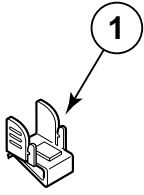


D321PZ3A

## Terminal Block and Terminals

REF	PART #	DESCRIPTION	COMMENTS
1	504034	Wire Clip	
2	00237	Insulated 1/4 Inch Spade Terminal	(1) 12 Gauge Wire or (2) 18 Gauge Wires
3	00117	Female Socket Terminal	
4	23039	Terminal Block Receptacle	3 Circuit
5	23040	Terminal Block Plug	3 Circuit
6	00116	Male Pin Terminal	
7	56451	Terminal Block Receptacle	2 Circuit
8	56448	Terminal Block Plug	2 Circuit
9	36466	Wire Tie	
10	59308	Power Cord	Gas Models
11	00130	Female Socket Terminal	
12	56265	Terminal Block Receptacle	2 Circuit
13	56266	Terminal Block Plug	2 Circuit
14	00127	Male Pin Terminal	
15	58800	Terminal Block	3 Circuit connector

# Terminals

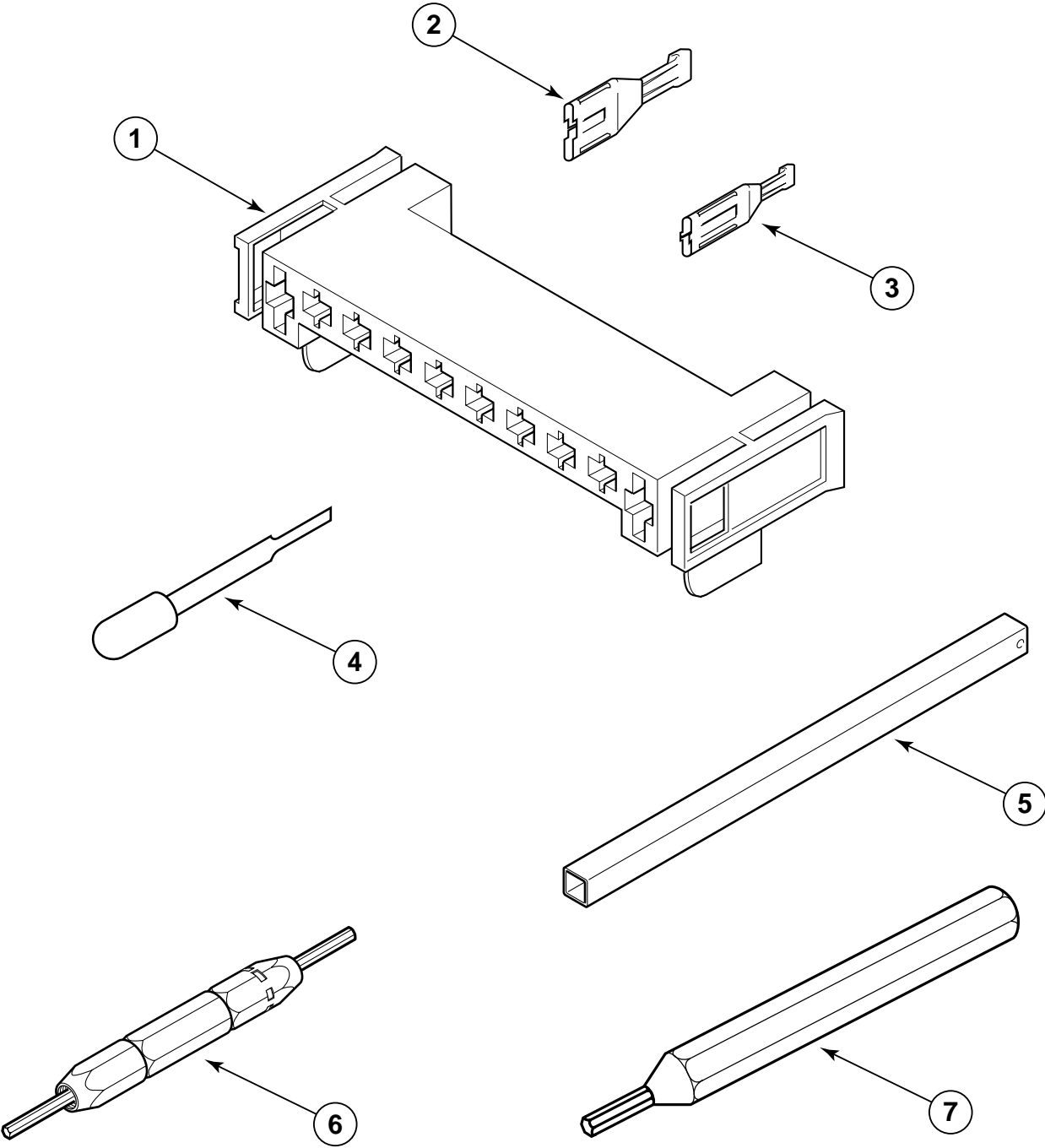


D322PZ3A

# Terminals

REF	PART #	DESCRIPTION	COMMENTS
1	00161	Ground Clip	
2	00189	Spade Terminal	
3	00190	Terminal	Receptacle connector
4	58799	Terminal Block	2 Circuit connector
5	00119	Spade Terminal	1/4 Inch – (1) 18 Gauge Wire
	00121	Spade Terminal	1/4 Inch – (2) 18 Gauge Wires or (1) 12 Gauge Wire
	00245	Spade Terminal	1/4 Inch – (1) 22 Gauge Wire
6	00124	Spade Terminal	3/16 Inch – (1) 18 Gauge Wire – .020 Tab
	00156	Spade Terminal	3/16 Inch – Thermostat Wire – .032 Tab
	00209	Spade Terminal	3/16 Inch – (2) 18 Gauge Wires – .020 Tab
7	21903	Strain Relief	
8	00346	Terminal	
9	00347	Terminal	
10	00115	Lock In Spade Terminal	1/4 Inch – (1) 18 Gauge Wire
	00122	Lock In Spade Terminal	1/4 Inch – (2) 18 Gauge Wires or (1) 12 Gauge Wire
11	90789	Connector	
12	00163	Insulated Spade Terminal	1/4 Inch
	00165	Insulated Spade Terminal	3/16 Inch
13	00214	Barrel Insulated Spade Terminal	1/4 Inch – 18 Gauge Wire
	00215	Barrel Insulated Spade Terminal	1/4 Inch – 12 Gauge Wire
14	00110	Ring Terminal #10	(1) 18 Gauge Wire
	00111	Ring Terminal #10	(2) 18 Gauge Wires or (1) 12 Gauge Wire
15	00114	Spade Terminal	1/4 Inch – Double connector
16	00138	Male Tab Terminal	1/4 Inch – (1) 18 Gauge Wire
	00139	Male Tab Terminal	1/4 Inch – (2) 18 Gauge Wires or (1) 12 Gauge Wire
17	00344	Terminal	
18	00345	Terminal	

# Motor Connection Block, Terminal Extractor Tools



D319PZ3A

## Motor Connection Block, Terminal Extractor Tools

REF	PART #	DESCRIPTION	COMMENTS
1	500338	Motor Connection Block	Molex – 10 Circuit
2	00255	Spade Terminal	1/4 Inch – For (1) 12 Gauge Wire
	00256	Spade Terminal	1/4 Inch – For (1) or (2) 18 Gauge Wires
3	00188	Molex Terminal	For one or two wire application
4	283P4	Terminal Extractor Tool	For use on Molex Connectors
5	310P4	Ratchet Extension Tool	1/4 Inch – For coin drop installation
6	190P4	Terminal Extractor Tool	For use on electric dryer terminals
7	128P4	Terminal Extractor Tool	For use on gas dryer terminals

## Wire Harnesses and Wires

Individual wires are not available separately. Order complete wire harness, or order wire by the foot. See chart at bottom of page.

MODEL NUMBER	WIRE HARNESS PART NUMBER					
	504811	504729	504725	504724	504726	504721
HDE007*A	X					
HDE007*C	X					
HDE107*A			X			
HDE107*C			X			
HDG009*A		X				
HDG009*C		X				
HDG109*A				X		
HDG109*C				X		
SDE007*A	X					
SDE007*A1500	X					
SDE107*A			X			
SDE107*A1500			X			
SDE307*A			X			
SDE307*A1500			X			
SDE407*A					X	
SDE407*A1500					X	
SDE407*D					X	
SDE407*D1500					X	
SDE507*A					X	
SDE507*A1500					X	
SDE607*A					X	
SDE607*A1500					X	
SDE607*D					X	
SDE607*D1500					X	
SDE607*C					X	
SDE607*C1500					X	
SDE707*A					X	
SDE707*A1500					X	
SDG009*A		X				
SDG109*A				X		
SDG309*A				X		
SDG409*A						X
SDG409*D						X
SDG509*A						X
SDG609*A						X
SDG609*C						X
SDG609*D						X
SDG709*A						X
UDE007*A	X					
UDG009*A		X				

\* Add Letter To Designate Color. L – Almond W – White

Order the individual wire color and gauge by the part number listed below. Order wire by the foot, and terminals and connectors as required. It is recommended when applying terminals to wires that the terminals be soldered to the wires.

**IMPORTANT: Always replace wires with proper gauge.**

PART NUMBER	WIRE GAUGE	WIRE COLOR
45001	18 Gauge Wire	Black
45380	12 Gauge Wire	Orange

# Parts Index

## A

Access Cover Plate 500114 .....	41
Access Panel 503796* .....	27
Adhesive for Cylinder Seal 22506P .....	31, 33

## B

Baffle 503703 .....	31
Barrel Insulated Spade Terminal 00214 .....	47
00215 .....	47
Base 500070 .....	29, 37, 39, 41
Belt 59174 .....	29
Bolt 29651 .....	7
Bracket 30642 .....	13
35525 .....	7, 9
503456 .....	41
Bumper 56128 .....	41
Burner Assembly 56234 .....	39

## C

Cabinet 500001*P .....	7, 9, 23, 31, 33, 39, 41, 43
Cabinet Top 501720*P .....	7, 9, 19, 23
501740*P .....	5, 11, 13, 23
Cap Screw 02916 .....	5, 11, 13, 19, 21
Card Reader 38194 .....	13
Carriage Bolt 02505 .....	7, 9, 11, 13
Coin Drop Assembly 38479 .....	9
Coin Funnel Kit 523P3 .....	7
Coin Slide Extension Kit 553P3 .....	7
Coin Slide Modifier 501796 .....	7
Combustion Duct 61888 .....	37, 39
Connector 90789 .....	47
Control and Shield M411878P .....	21

Control Hood 502567* .....	5, 11, 13
60357* .....	19, 21
Control Hood Rear Panel 62679 .....	19, 21
Control Knob Assembly 35182 .....	19
Control Panel 501359 .....	21
Control Panel and Bracket Assembly 501738* .....	19
Counter 502113 .....	7
Cylinder Assembly 504466P .....	31
Cylinder Glide 501676 .....	31
Cylinder Roller 500214P .....	33
Cylinder Seal 501801 .....	31, 33

## D

Directional Exhaust Kit 528P3 .....	41
Door Catch 54660 .....	27
Door Hinge 503676 .....	25
Door Pull 503646* .....	25
Door Seal 503645 .....	25
Door Striker 500039 .....	25
Door Striker Bracket 500223 .....	25
Door Switch 504570 .....	9, 27

## E

18 Gauge Wire 45001 .....	50
Exhaust Duct 500064 .....	41
Exhaust Fan Cover 500078 .....	29
Exhaust Fan Housing 56020 .....	29
Exhaust Fan Impeller 56000 .....	29

## F

Felt Pad 500121 .....	31
--------------------------	----

Female Socket Terminal	
00117 .....	45
00130 .....	45
Flexible Venting Kit	
521P3 .....	41
Front Bulkhead	
504251 .....	31
Front Overlay	
38717 .....	9
Front Panel	
503656* .....	25, 27
Front Panel Seal	
504005 .....	27

## G

Gas Burner Conversion Kit	
458P3 .....	39
459P3 .....	39
Gas Valve Assembly	
60353 .....	39
Gasket	
35526 .....	7, 9
37526 .....	13
Glide Bracket	
501554 .....	31
Graphic Overlay	
504113 .....	21
504575 .....	19
504591 .....	19
504594 .....	19
Ground Clip	
00161 .....	47

## H

Heat Shroud	
500122 .....	37
Heater Assembly	
503978 .....	35
61928 .....	35
Heater Duct Assembly	
503607P .....	33, 35, 37
Hex Head Screw	
503673 .....	7
Hold-Down Bracket	
500084 .....	23
Hold-down Clip	
56080 .....	27
Holding and Booster Coil	
58804A .....	39

## I

Idler Lever	
500910 .....	29
Idler Pulley	
54414 .....	29
Idler Pulley and Lever Assembly	
500269 .....	29
Igniter and Bracket Assembly	
60868 .....	39

Index Spring	
53238 .....	15, 17
Indicator Light	
32464 .....	19
Inner Door Panel and Seal Assembly	
504599W .....	25
Instruction Label	
500628 .....	7
Instructions	
38192 .....	13
Insulated Spade Terminal	
00163 .....	47
00165 .....	47
Insulated 1/4 Inch Spade Terminal	
00237 .....	45

## K

Keps Nut	
29786 .....	5, 9, 11
Knurled Nut	
24205 .....	19

## L

Label	
500281 .....	27
500347 .....	27
500490 .....	5
500670 .....	41
501289 .....	41
502790 .....	27
505485 .....	23
61294 .....	41
Lead-In Pipe Assembly	
500647 .....	39
Leveling Leg	
500101 .....	41
Limit Thermostat	
61886 .....	37
62641 .....	35
Lint Filter	
503980 .....	31
Locator	
56079 .....	27, 41
Lock In Spade Terminal	
00115 .....	47
00122 .....	47
Locking Bracket	
30642 .....	7, 9
Locknut	
29786 .....	7, 9, 13
52566 .....	13, 29
56156 .....	29, 33
Lockwasher	
02431 .....	5, 11, 13, 19, 21
03815 .....	5
21734 .....	11
91176 .....	19
Lower Air Duct Assembly	
503626 .....	31

---

## M

Male Pin Terminal	
00116 .....	45
00127 .....	45
Male Tab Terminal	
00138 .....	47
00139 .....	47
Meter Case	
37315* .....	7
38724* .....	9
Meter Case Gasket	
26354 .....	7, 9
Molex Terminal	
00188 .....	49
Motor Assembly	
502368P .....	29
Motor Connection Block	
500338 .....	49
Motor Hub Ring Kit	
590P3 .....	29
Motor Mounting Bracket	
503613 .....	29
Motor Mounting Clamp	
58047 .....	29
Motor Pulley	
500011 .....	29
Motor Switch	
501218P .....	29
Mounting Bracket	
500821 .....	39

---

## N

Nut	
29796 .....	7
52566 .....	19, 21
52947 .....	19
Nylon Bushing	
53262 .....	15, 17

---

## O

Outer Door Panel	
503654* .....	25
Outlet Cover	
500820 .....	35, 37

---

## P

Pawl Spring	
53244 .....	15, 17
Phillips Head Screw	
505295 .....	19
Power Cord	
59308 .....	43, 45
Push-to-Start Switch Assembly	
55882 .....	19

---

## R

Ratchet Extension Tool	
310P4 .....	49
Ratchet Wheel	
53239 .....	15, 17
Rear Bulkhead	
505244 .....	33
Retainer Nut	
27222 .....	23
30647 .....	7, 9, 13
Retainer Ring	
23748 .....	29, 33
Ring Terminal #10	
00110 .....	47
00111 .....	47
Roller Bracket	
500062 .....	33
Rubber Foot	
501855 .....	41

---

## S

Screw	
03203 .....	7
03950 .....	7
20530 .....	43
23222 .....	35, 39
23962 .....	13
27328 .....	5
31260 .....	29
32671 .....	27, 41
33561 .....	29
500226 .....	21, 25, 31
501086 .....	5, 7, 11, 19, 21
501285 .....	31, 33
501524 .....	21
503661 .....	13, 23, 27, 29, 33, 41
503673 .....	9, 13, 23
503688 .....	23, 31, 33, 35, 37, 39, 41
505295 .....	25, 31
51778 .....	5, 11
51782 .....	37, 39
56124 .....	39
61199 .....	33
62588 .....	31
Seal	
504018 .....	29
Secondary Coil	
58804B .....	39
Security Case	
38145* .....	13
Sensor	
56231 .....	39
Service Door	
35798* .....	7, 9, 13
Set Screw	
20310 .....	19
25285 .....	5
Shaft	
56461 .....	29, 33
Shield	
38754 .....	13
504185 .....	33

Shoulder Screw	
500824 .....	29
502431 .....	7, 9
Shut-off Valve	
56229 .....	39
Slide Extension	
503733 .....	7
Slotted Hex Head Screw	
503661 .....	27
Spade Terminal	
00114 .....	47
00119 .....	47
00121 .....	47
00124 .....	47
00156 .....	47
00189 .....	47
00209 .....	47
00245 .....	47
00255 .....	49
00256 .....	49
Spring	
56076 .....	29
Strain Relief	
21903 .....	43, 47
Switch	
53236 .....	15, 17
61468 .....	17

## T

Temperature Selector Switch	
61512 .....	19
Terminal	
00190 .....	47
00333 .....	47
00344 .....	47
00346 .....	47
00347 .....	47
Terminal Block	
58799 .....	47
58800 .....	45
61923P .....	33
Terminal Block Plug	
23040 .....	45
56266 .....	45
56448 .....	45
Terminal Block Receptacle	
23039 .....	45
56265 .....	45
56451 .....	45
Terminal Extractor Tool	
128P4 .....	49
190P4 .....	49
283P4 .....	49
Thermal Fuse	
62600 .....	35
Thermistor	
59500 .....	29
Thermostat	
504515 .....	29
Timer	
500399 .....	5
Timer Assembly	
501756 .....	7, 17
501757 .....	7, 15

Timer Bracket	
503315 .....	7
Timer Case	
37733* .....	5, 11
Timer Knob Assembly	
54678 .....	5
Timer Plate Assembly	
39481 .....	11
500921* .....	5
Timing Cam	
53240 .....	15, 17
53241 .....	15, 17
53242 .....	15, 17
53243 .....	15, 17
Timing Cam Drive	
M400754 .....	15, 17
Timing Motor	
53235 .....	15, 17
Top Hinge	
500003 .....	41
Torx Bit	
281P4 .....	19
282P4 .....	27
Torx Bit Holder	
24161 .....	19, 27
Torx Head Screw	
35528 .....	19
62853 .....	27
12 Gauge Wire	
45380 .....	50

## U

Upper Air Duct Assembly	
505529 .....	31

## V

Vinyl Washer	
23225 .....	13

## W

Washer	
20279 .....	5
30627 .....	13
504082 .....	33
52549 .....	29, 33
Wedge	
505328 .....	25
Wire Clip	
504034 .....	45
Wire Harness	
60641 .....	39
Wire harness	
504721 .....	50
504724 .....	50
504725 .....	50
504726 .....	50
504729 .....	50
504811 .....	50
Wire Tie	
36466 .....	45