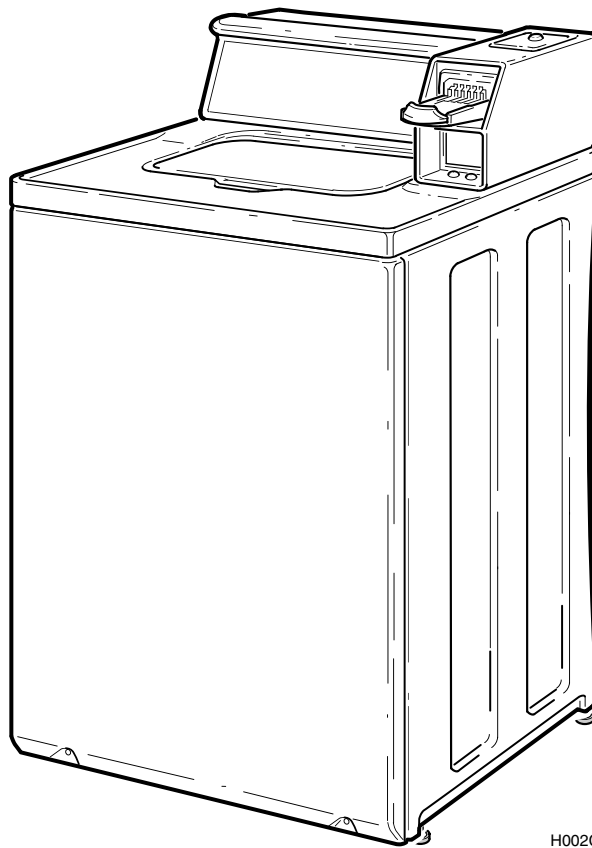


Commercial Automatic Washers

Metered and Nonmetered Models
Refer to Page 5 for Model Numbers



H002C_39202

Table of Contents

Title	Page
Parts Ordering Information.....	3
Nameplate Location	3
Model Identification	5
Timer, Case and Plate	6
Timer and Bracket.....	8
Coin Slide Meter Case and Service Door	10
Coin Slide Start Security Kit.....	12
Coin Slide Extension, Meter Case and Service Door.....	14
Electronic Coin Drop	16
Coin Drop, Meter Case and Service Door (Drawing 1 of 2).....	18
Coin Drop, Meter Case and Service Door (Drawing 2 of 2).....	20
Timer Case	22
Security Case and Card Reader	24
Control Panel, Control Hood and Controls (Drawing 1 of 18)	26
Control Panel, Control Hood and Controls (Drawing 2 of 18)	28
Control Panel, Control Hood and Controls (Drawing 3 of 18)	30
Control Panel, Control Hood and Controls (Drawing 4 of 18)	32
Control Panel, Control Hood and Controls (Drawing 5 of 18)	34
Control Panel, Control Hood and Controls (Drawing 6 of 18)	36
Control Panel, Control Hood and Controls (Drawing 7 of 18)	38
Control Panel, Control Hood and Controls (Drawing 8 of 18)	40
Control Panel, Control Hood and Controls (Drawing 9 of 18)	42
Control Panel, Control Hood and Controls (Drawing 10 of 18)	44
Control Hood.....	46
Control Panel and Controls	48
Control Panel, Control Hood and Controls (Drawing 11 of 18)	50
Control Panel, Control Hood and Controls (Drawing 12 of 18)	52
Control Panel, Control Hood and Controls (Drawing 13 of 18)	54
Control Panel, Control Hood and Controls (Drawing 14 of 18)	56
Control Panel, Control Hood and Controls (Drawing 15 of 18)	58
Control Panel, Control Hood and Controls (Drawing 16 of 18)	60
Control Panel, Control Hood and Controls (Drawing 17 of 18)	62
Control Panel, Control Hood and Controls (Drawing 18 of 18)	64
Control Hood Security Kit.....	66
Lid and Lid Lock	68
Top Assembly and Shield	70
Lid	72
Top Assembly	74
Lid Switch.....	76
Fill Hose, Mixing Valve-to-Tub Cover Hose, Mixing Valve and Mounting Bracket.....	78
Mixing Valve.....	80

© Copyright 2008, Alliance Laundry Systems LLC

All rights reserved. No part of the contents of this book may be reproduced or transmitted in any form or by any means without the expressed written consent of the publisher.

Fill Hose, Mixing Valve-to-Tub Cover Hose and Mounting Bracket	82
Motor and Mounting Bracket Assembly (Drawing 1 of 3).....	84
Belt, Pump and Idler Assembly (Drawing 1 of 3)	86
Motor, Mounting Bracket, Belt and Idler Assembly	88
Motor and Mounting Bracket Assembly (Drawing 2 of 3).....	90
Belt, Pump and Idler Assembly (Drawing 2 of 3)	92
Motor and Mounting Bracket Assembly (Drawing 3 of 3).....	94
Belt, Pump and Idler Assembly (Drawing 3 of 3)	96
Agitator, Drive Bell, Hub and Lip Seal Kit and Washtub	98
Agitator, Drive Bell, Hub and Seal Kit and Washtub	100
Outer Tub, Cover, Bearing and Seal Housing, Pressure Hose and Counterweight.....	102
Outer Tub, Cover, Bearing Housing, Pressure Hose and Counterweight.....	104
Transmission Assembly	106
Hoses and Siphon Break Kit	108
Weldment and Bearing Assembly, Brake and Pulley.....	110
Front Panel, Base and Cabinet.....	112
Mixing Valve and Motor Disconnect Blocks, Terminals and Terminal Extractor Tool.....	114
Power Cord	116
Terminals	118
Shipping Materials and Special Tools.....	120
Special Tools	122
Wire Harnesses and Wires (Drawing 1 of 2).....	124
Wire Harnesses and Wires (Drawing 2 of 2).....	126
Parts Index.....	129

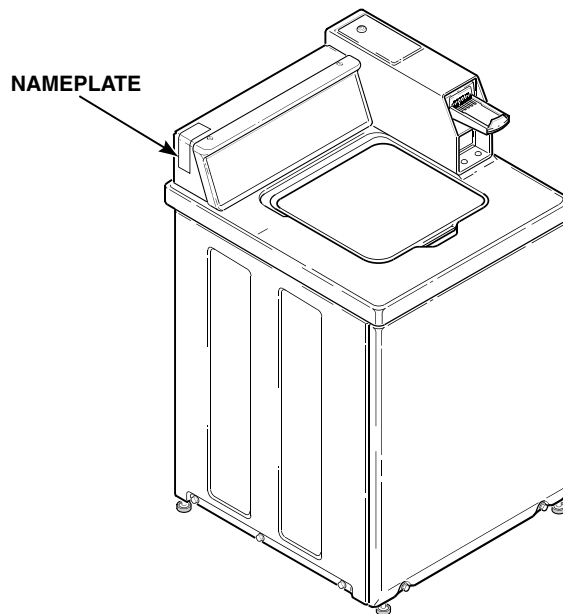
Parts Ordering Information

If literature or replacement parts are required, contact the source from whom the machine was purchased or contact Alliance Laundry Systems at (920) 748-3950 for the name and address of the nearest authorized parts distributor.

For technical assistance, call (920) 748-3121.

Nameplate Location

When calling or writing about your product, be sure to mention model and serial numbers. Model and serial numbers are located on nameplate(s) as shown.



W363PE3A_39202

Model Identification

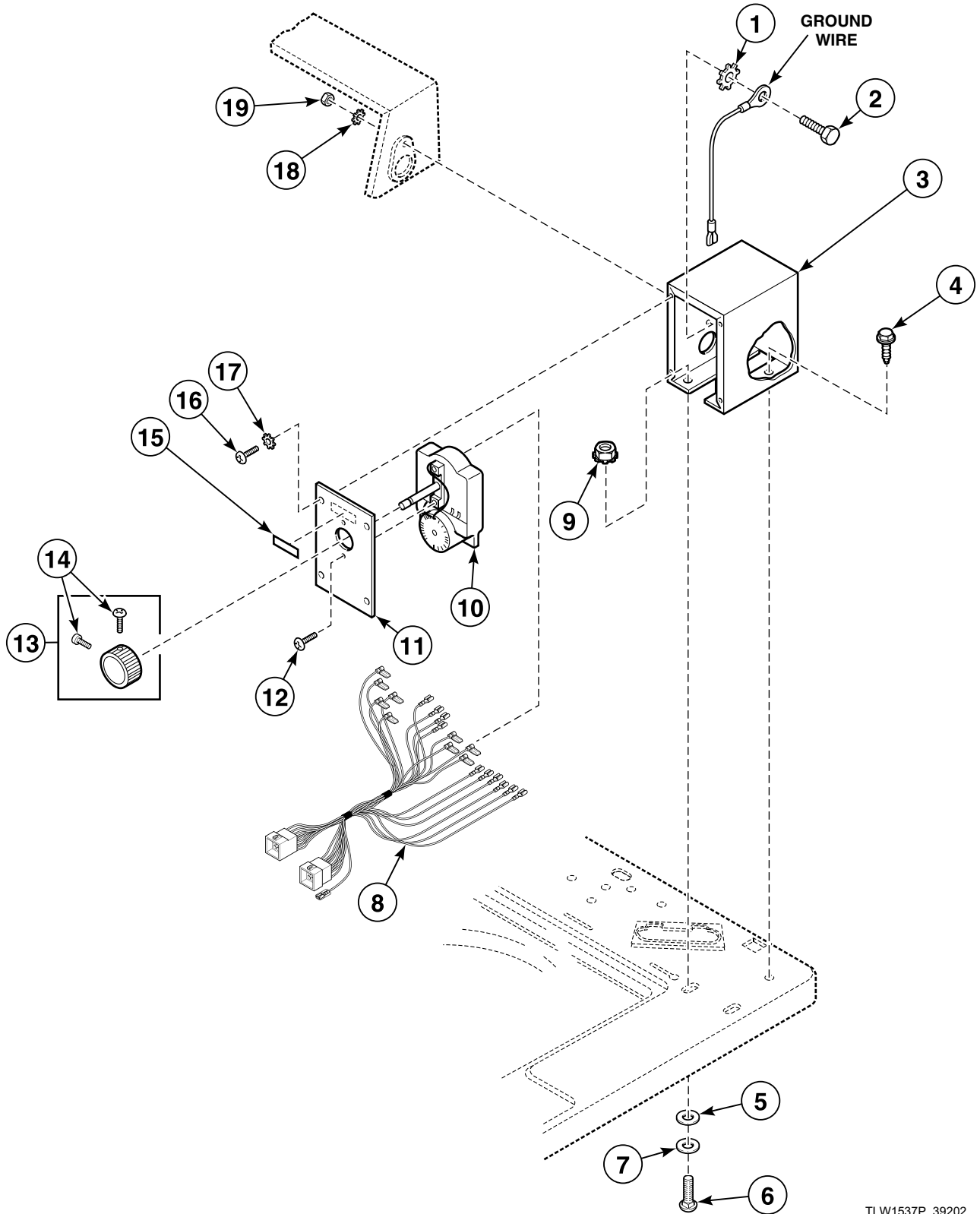
Information in this manual is applicable to these washer models:

BWT820*N1102	HWT220*M1102	HWTZ21*N1102	SWT111*M5412	SWT811*N3000
BWT920*N1102	HWT220*M3000	JWT810*N3020	SWT111*N3000	SWT811*N3022
HWLX21*N1102	HWT220*M3020	JWT810*N3050	SWT111*N3022	SWT811*N3050
HWT011*B3073	HWT221*A1102	JWT810*N5400	SWT111*N3028	SWT811*N3062
HWT021*A1102	HWT221*C1102	JWT910*N3020	SWT111*N3050	SWT910*N3050
HWT021*C1102	HWT221*M1102	JWT910*N3050	SWT111*N3069	SWT911*N3000
HWT021*M1102	HWT221*N1102	JWT910*N3069	SWT111*N5412	SWT911*N3020
HWT021*N1102	HWT221*N1127	SWT011*A3000	SWT111*N5417	SWT911*N3022
HWT111*A1102	HWT521*A1102	SWT011*A3022	SWT121*A3000	SWT911*N3028
HWT111*A3000	HWT521*C1102	SWT011*A3028	SWT121*M3000	SWT911*N3050
HWT111*B3069	HWT621*A1102	SWT011*A3050	SWT211*A1200	SWT911*N3062
HWT111*C1102	HWT621*C1102	SWT011*A3062	SWT211*A1300	SWT911*N3069
HWT111*C3000	HWT721*A1102	SWT011*M3000	SWT211*A3000	SWT911*N5412
HWT111*M1102	HWT721*C1102	SWT011*M3022	SWT211*A3020	SWTA21*M3022
HWT111*M3000	HWT821*N1102	SWT011*M3050	SWT211*A3022	SWTA21*M3050
HWT111*N1102	HWT911*N1102	SWT011*N3000	SWT211*A3062	SWTA21*N3050
HWT121*A1102	HWT911*N3020	SWT011*N3022	SWT211*B3020	SWTF21*M3050
HWT121*C1102	HWT921*N1102	SWT011*N3028	SWT211*M3000	SWTF21*N3050
HWT121*M1102	HWT921*N1127	SWT011*N3050	SWT211*M3020	SWTX21*M3000
HWT121*N1102	HWTB21*M1102	SWT011*N3062	SWT211*M3022	SWTX21*M3020
HWT210*A1102	HWTB21*N1102	SWT111*A1200	SWT211*N3000	SWTX21*M3022
HWT210*C1102	HWTF21*M1102	SWT111*A1300	SWT211*N3020	SWTX21*M3050
HWT210*M1102	HWTF21*N1102	SWT111*A3000	SWT211*N3022	SWTX21*M3069
HWT210*N1102	HWTR21*N1102	SWT111*A3022	SWT211*N3050	SWTX21*N1127
HWT211*A3000	HWTT21*N1102	SWT111*A3028	SWT211*N3062	SWTX21*N3000
HWT211*B3020	HWTX21*M3020	SWT111*A3050	SWT421*A3000	SWTX21*N3020
HWT211*C1102	HWTX21*M3022	SWT111*A5412	SWT421*A3022	SWTX21*N3022
HWT211*C3000	HWTX21*N1102	SWT111*B3069	SWT421*A3028	SWTX21*N3050
HWT211*M3000	HWTX21*N3020	SWT111*M1200	SWT421*A3050	SWTX21*N3069
HWT211*M3020	HWTX21*N3022	SWT111*M1300	SWT421*M3000	UWT011*A3022
HWT211*N3020	HWTY21*M1102	SWT111*M3000	SWT421*M3022	UWT011*A3025
HWT220*A1102	HWTY21*N1102	SWT111*M3022	SWT421*M3050	UWT011*M3022
HWT220*C1102	HWTZ21*M1102	SWT111*M3050		
		SWT111*M3069		

* Add Letter To Designate Color. L - Almond Q - Bisque W - White

Timer, Case and Plate

Models HWT011*B3073, HWT021*A1102, HWT021*C1102, HWT021*M1102, HWT021*N1102, SWT011*A3000, SWT011*A3022, SWT011*A3028, SWT011*A3050, SWT011*A3062, SWT011*M3000, SWT011*M3022, SWT011*M3050, SWT011*N3000, SWT011*N3022, SWT011*N3028, SWT011*N3050, SWT011*N3062, UWT011*A3022, UWT011*A3025 and UWT011*M3022



TLW1537P_39202

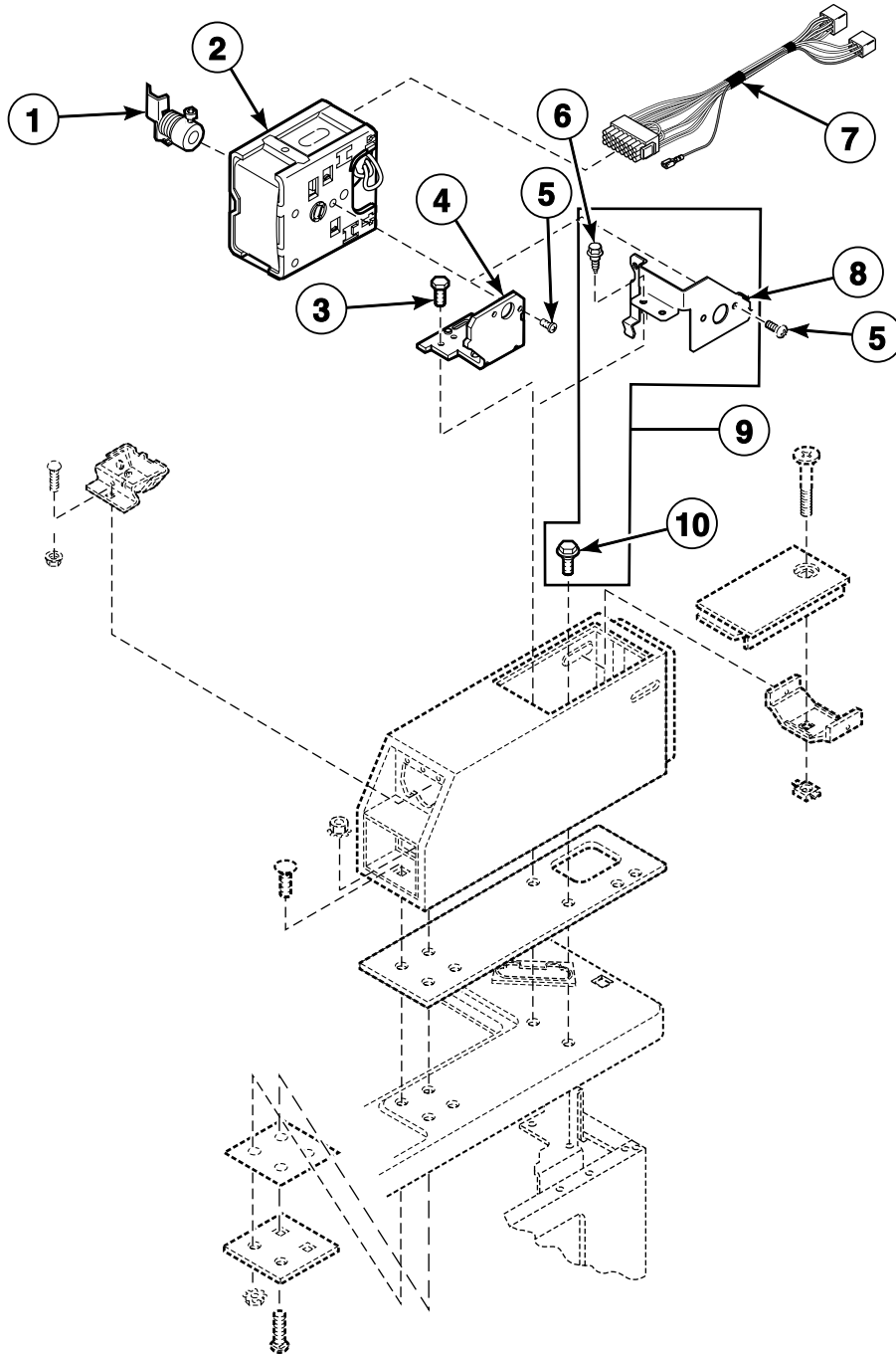
Timer, Case and Plate

REF	PART NO.	DESCRIPTION	COMMENTS
1	M400017	Washer	
2	02916	Screw	
3	37733W	Timer Case Assembly	
4	23962	Screw	
5	23225	Washer	Vinyl
6	02505	Bolt	
7	30627	Washer	
8	34092P	Wire Harness Assembly	Models HWT021*A1102, HWT021*C1102, HWT021*M1102 and HWT021*N1102
	39811	Timer Wire Harness Assembly	All other models
9	29786	Nut	
10	28716P	Timer	Models HWT021*A1102, HWT021*C1102, HWT021*M1102 and HWT021*N1102
	28719P	Timer	All other models
11	31864W	Timer Plate	
12	27328	Screw	
13	26256	Timer Knob Assembly	
14	80399	Screw	
15	53738	Push-to-Start Sticker	
16	51778	Screw	
17	21734	Washer	
18	02431	Washer	
19	52566	Nut	

* Add Letter To Designate Color. L - Almond Q - Bisque W - White

Timer and Bracket

Models HWT111*A1102, HWT111*A3000, HWT111*B3069, HWT111*C1102, HWT111*C3000, HWT111*M1102, HWT111*M3000, HWT111*N1102, HWT121*A1102, HWT121*C1102, HWT121*M1102, HWT121*N1102, HWT210*A1102, HWT210*C1102, HWT210*M1102, HWT210*N1102, HWT211*A3000, HWT211*B3020, HWT211*C1102, HWT211*C3000, HWT211*M3000, HWT211*M3020, HWT211*N3020, HWT220*A1102, HWT220*C1102, HWT220*M1102, HWT220*M3000, HWT220*M3020, HWT221*A1102, HWT221*C1102, HWT221*M1102, HWT221*N1102, HWT221*N1127, SWT111*A1200, SWT111*A1300, SWT111*A3000, SWT111*A3022, SWT111*A3028, SWT111*A3050, SWT111*A5412, SWT111*B3069, SWT111*M1200, SWT111*M1300, SWT111*M3000, SWT111*M3022, SWT111*M3050, SWT111*M3069, SWT111*M5412, SWT111*N3000, SWT111*N3022, SWT111*N3028, SWT111*N3050, SWT111*N3069, SWT111*N5412, SWT111*N5417, SWT121*A3000, SWT121*M3000, SWT211*A1200, SWT211*A1300, SWT211*A3000, SWT211*A3020, SWT211*A3022, SWT211*A3062, SWT211*B3020, SWT211*M3000, SWT211*M3020, SWT211*M3022, SWT211*N3000, SWT211*N3020, SWT211*N3022, SWT211*N3050 and SWT211*N3062



TLW1546P_39202

Timer and Bracket

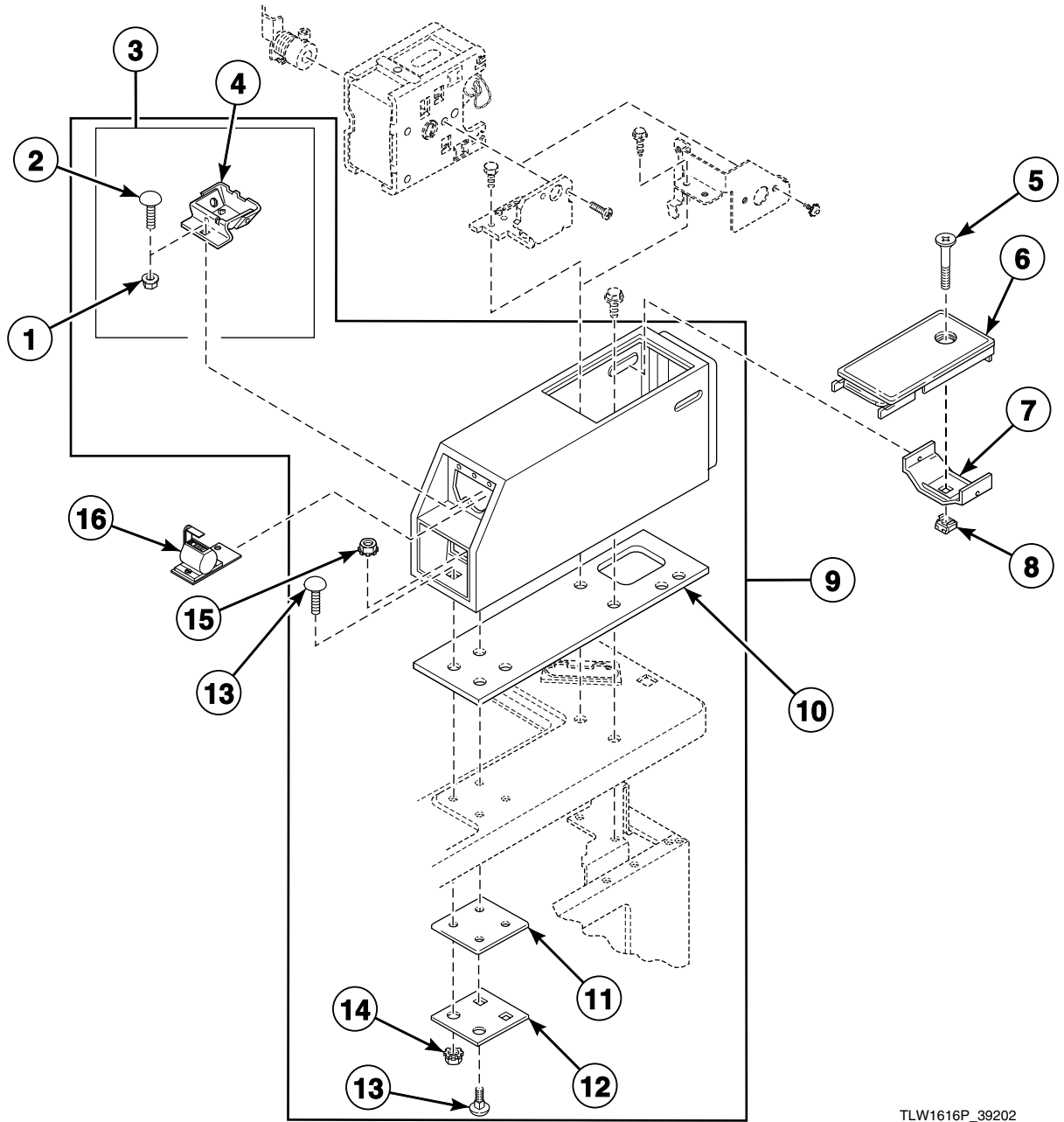
REF	PART NO.	DESCRIPTION	COMMENTS
1	29503	Clutch Assembly	
2	31111P	Timer	Models HWT111*A1102, HWT111*C1102, HWT111*M1102, HWT111*N1102, HWT121*A1102, HWT121*C1102, HWT121*M1102, HWT121*N1102, SWT111*A1200 and SWT111*M1200
	31504P	Timer	Models HWT111*B3069 and SWT111*B3069 starting Serial Nos. beginning 0002; Models HWT111*A3000, HWT111*C3000, HWT111*M3000, SWT111*A3000, SWT111*A3022, SWT111*A3028, SWT111*A3050, SWT111*M3000, SWT111*M3022, SWT111*M3050, SWT111*M3069, SWT111*N3000, SWT111*N3022, SWT111*N3028, SWT111*N3050, SWT111*N3069, SWT121*A3000 and SWT121*M3000
	34601P	Timer	Models HWT210*A1102, HWT210*C1102, HWT210*M1102, HWT210*N1102, HWT211*C1102, HWT220*A1102, HWT220*C1102, HWT220*M1102, HWT221*A1102, HWT221*C1102, HWT221*M1102, HWT221*N1102, HWT221*N1127 and SWT211*A1200
	34603P	Timer	Models HWT211*B3020 and SWT211*B3020 starting Serial Nos. beginning 9908; Models HWT211*A3000, HWT211*C3000, HWT211*M3000, HWT211*M3020, HWT211*N3020, HWT220*M3000, HWT220*M3020, SWT211*A3000, SWT211*A3022, SWT211*A3062, SWT211*M3000, SWT211*M3020, SWT211*M3022, SWT211*N3000, SWT211*N3020, SWT211*N3022, SWT211*N3050 and SWT211*N3062
	34604	Timer	Models SWT111*A1300, SWT111*M1300 and SWT211*A1300
	35368P	Timer	Models SWT111*A5412, SWT111*M5412, SWT111*N5412 and SWT111*N5417
	N/A	Timer	Models HWT111*B3069 and SWT111*B3069 through Serial Nos. beginning 0002
	36987	Timer	Models HWT211*B3020 and SWT211*B3020 through Serial Nos. beginning 9908
3	36048	Screw	
4	35249	Timer Bracket	Use with 524P3* Meter Case and Funnel Kit
5	21720	Screw	
6	503688	Screw	2 required; Use with item 5
7	29281P	Timer Harness Assembly	Models HWT121*A1102, HWT121*C1102, HWT121*M1102, HWT121*N1102, HWT220*A1102, HWT220*C1102, HWT220*M1102, HWT220*M3000, HWT220*M3020, HWT221*A1102, HWT221*C1102, HWT221*M1102, HWT221*N1102, HWT221*N1127, SWT121*A3000 and SWT121*M3000
	39806P	Timer Harness Assembly	All other models
8	200832	Long Vault Timer Bracket	Use with 201010*P Meter Case Kit
9	789P3	Long Vault Timer Bracket Kit	Use with 201010*P Meter Case Kit; Includes items 4, 5 and 8
10	502431	Screw	Use with 524P3* Meter Case and Funnel Kit
	36048	Screw	Use with 201010*P Meter Case Kit

* Add Letter To Designate Color. L - Almond Q - Bisque W - White

N/A = Part no longer available

Coin Slide Meter Case and Service Door

Models HWT111*A1102, HWT111*A3000, HWT111*B3069, HWT111*C1102, HWT111*C3000, HWT111*M1102, HWT111*M3000, HWT111*N1102, HWT121*A1102, HWT121*C1102, HWT121*M1102, HWT121*N1102, HWT210*A1102, HWT210*C1102, HWT210*M1102, HWT210*N1102, HWT211*A3000, HWT211*B3020, HWT211*C1102, HWT211*C3000, HWT211*M3000, HWT211*M3020, HWT211*N3020, HWT220*A1102, HWT220*C1102, HWT220*M1102, HWT220*M3000, HWT220*M3020, HWT221*A1102, HWT221*C1102, HWT221*M1102, HWT221*N1102, HWT221*N1127, SWT111*A1200, SWT111*A1300, SWT111*A3000, SWT111*A3022, SWT111*A3028, SWT111*A3050, SWT111*A5412, SWT111*B3069, SWT111*M1200, SWT111*M1300, SWT111*M3000, SWT111*M3022, SWT111*M3050, SWT111*M3069, SWT111*M5412, SWT111*N3000, SWT111*N3022, SWT111*N3028, SWT111*N3050, SWT111*N3069, SWT111*N5412, SWT111*N5417, SWT121*A3000, SWT121*M3000, SWT211*A1200, SWT211*A1300, SWT211*A3000, SWT211*A3020, SWT211*A3022, SWT211*A3062, SWT211*B3020, SWT211*M3000, SWT211*M3020, SWT211*M3022, SWT211*N3000, SWT211*N3020, SWT211*N3022, SWT211*N3050 and SWT211*N3062



TLW1616P_39202

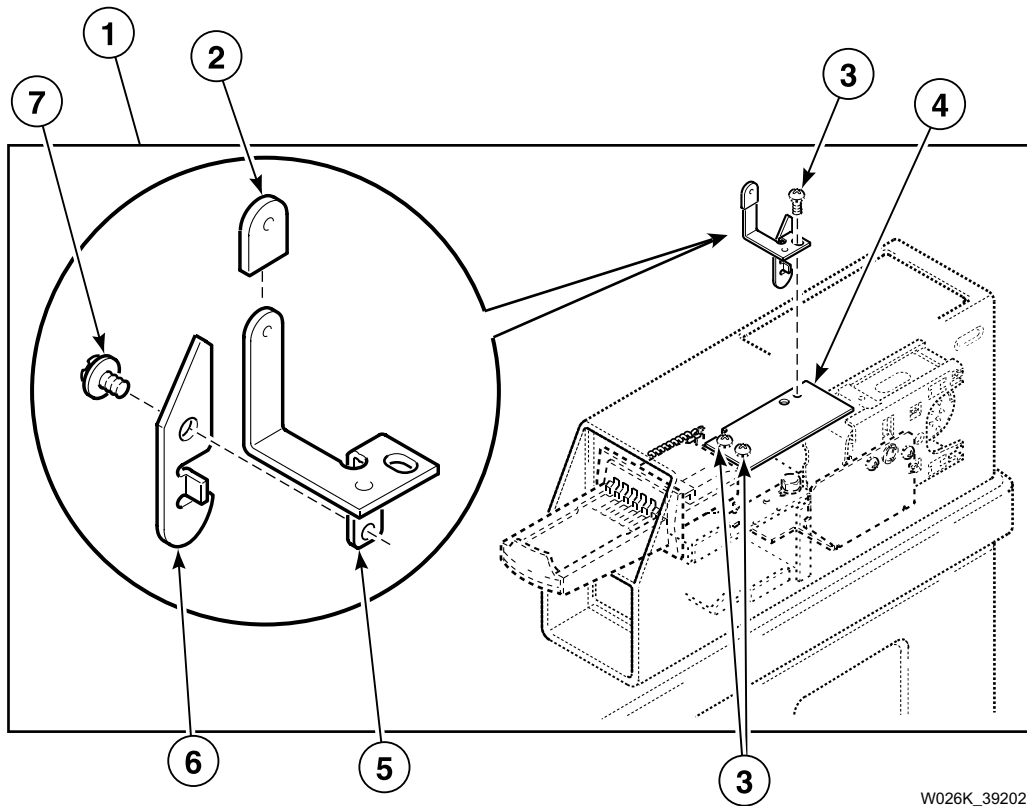
Coin Slide Meter Case and Service Door

REF	PART NO.	DESCRIPTION	COMMENTS
1	29796	Nut	
2	29651	Bolt	
3	523P3	Coin Funnel Kit	Includes items 1, 2 and 4; All models except SWT111*N3050 and SWT211*N3050
4	201565	Coin Chute	Models SWT111*N3050 and SWT211*N3050
5	503673	Screw	
6	39874WP	Service Door Assembly	White
	39874LP	Service Door Assembly	Almond
	39874QP	Service Door Assembly	Bisque
7	30642	Meter Case Locking Bracket	
8	30647	Nut	
9	524P3W	Meter Case and Funnel Kit	White; Includes items 3 and 10-14
	524P3L	Meter Case and Funnel Kit	Almond; Includes items 3 and 10-14
	524P3Q	Meter Case and Funnel Kit	Bisque; Includes items 3 and 10-14
	201010WP	Meter Case Kit	White; Use with larger coin drawer
	201010LP	Meter Case Kit	Almond; Use with larger coin drawer
	201010QP	Meter Case Kit	Bisque; Use with larger coin drawer
10	26354	Meter Case Gasket	
11	35526	Meter Case Bracket Gasket	
12	35525	Meter Case Lockdown Bracket	
13	02505	Bolt	
14	29786	Nut	
15	802337	Nut	
16	201280P	Mechanical Counter Kit Assembly	Use with 201010*P Meter Case Kit

* Add Letter To Designate Color. L - Almond Q - Bisque W - White

Coin Slide Start Security Kit

Models HWT111*A1102, HWT111*A3000, HWT111*B3069, HWT111*C1102, HWT111*C3000, HWT111*M1102, HWT111*M3000, HWT111*N1102, HWT121*A1102, HWT121*C1102, HWT121*M1102, HWT121*N1102, HWT210*A1102, HWT210*C1102, HWT210*M1102, HWT210*N1102, HWT211*A3000, HWT211*B3020, HWT211*C1102, HWT211*C3000, HWT211*M3000, HWT211*M3020, HWT211*N3020, HWT220*A1102, HWT220*C1102, HWT220*M1102, HWT220*M3000, HWT220*M3020, HWT221*A1102, HWT221*C1102, HWT221*M1102, HWT221*N1102, HWT221*N1127, SWT111*A1200, SWT111*A1300, SWT111*A3000, SWT111*A3022, SWT111*A3028, SWT111*A3050, SWT111*A5412, SWT111*B3069, SWT111*M1200, SWT111*M1300, SWT111*M3000, SWT111*M3022, SWT111*M3050, SWT111*M3069, SWT111*M5412, SWT111*N3000, SWT111*N3022, SWT111*N3028, SWT111*N3050, SWT111*N3069, SWT111*N5412, SWT111*N5417, SWT121*A3000, SWT121*M3000, SWT211*A1200, SWT211*A1300, SWT211*A3000, SWT211*A3020, SWT211*A3022, SWT211*A3062, SWT211*B3020, SWT211*M3000, SWT211*M3020, SWT211*M3022, SWT211*N3000, SWT211*N3020, SWT211*N3022, SWT211*N3050 and SWT211*N3062
Models Starting Serial No. 0210004770



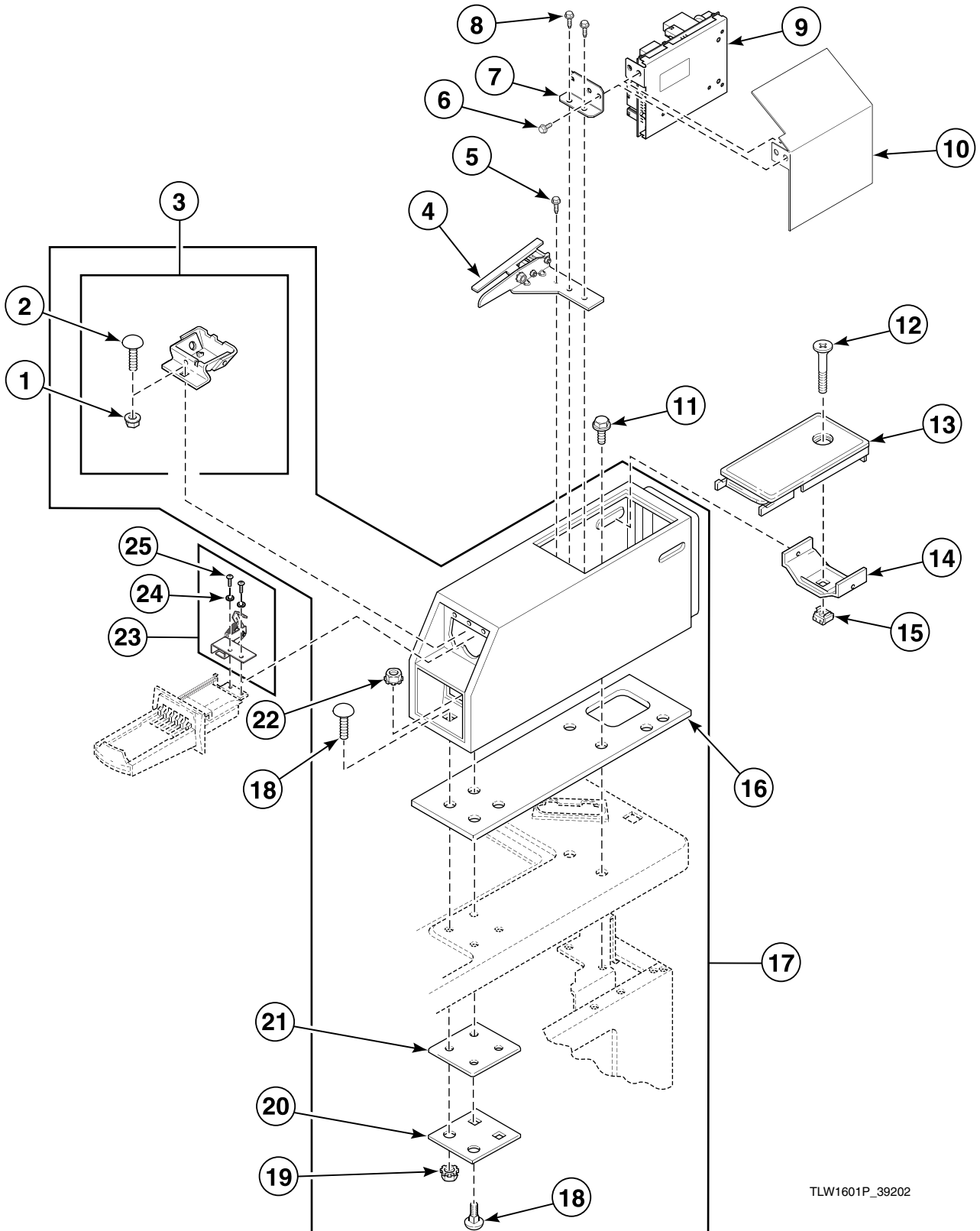
W026K_39202

Coin Slide Start Security Kit

REF	PART NO.	DESCRIPTION	COMMENTS
1	552P3	Coin Slide Kit	Includes items 2-7
2	36165	Plastic Boot	
3	03950	Screw	
4	501483	Coin Slide Extension	
5	36163	Actuator Support	
6	36164	Actuator	
7	36166	Screw	

Coin Slide Extension, Meter Case and Service Door

Models BWT920*N1102, HWT911*N1102, HWT911*N3020, HWT921*N1102,
HWT921*N1127, JWT910*N3020, JWT910*N3050, JWT910*N3069, SWT910*N3050,
SWT911*N3000, SWT911*N3020, SWT911*N3022, SWT911*N3028, SWT911*N3050,
SWT911*N3062, SWT911*N3069 and SWT911*N5412



TLW1601P_39202

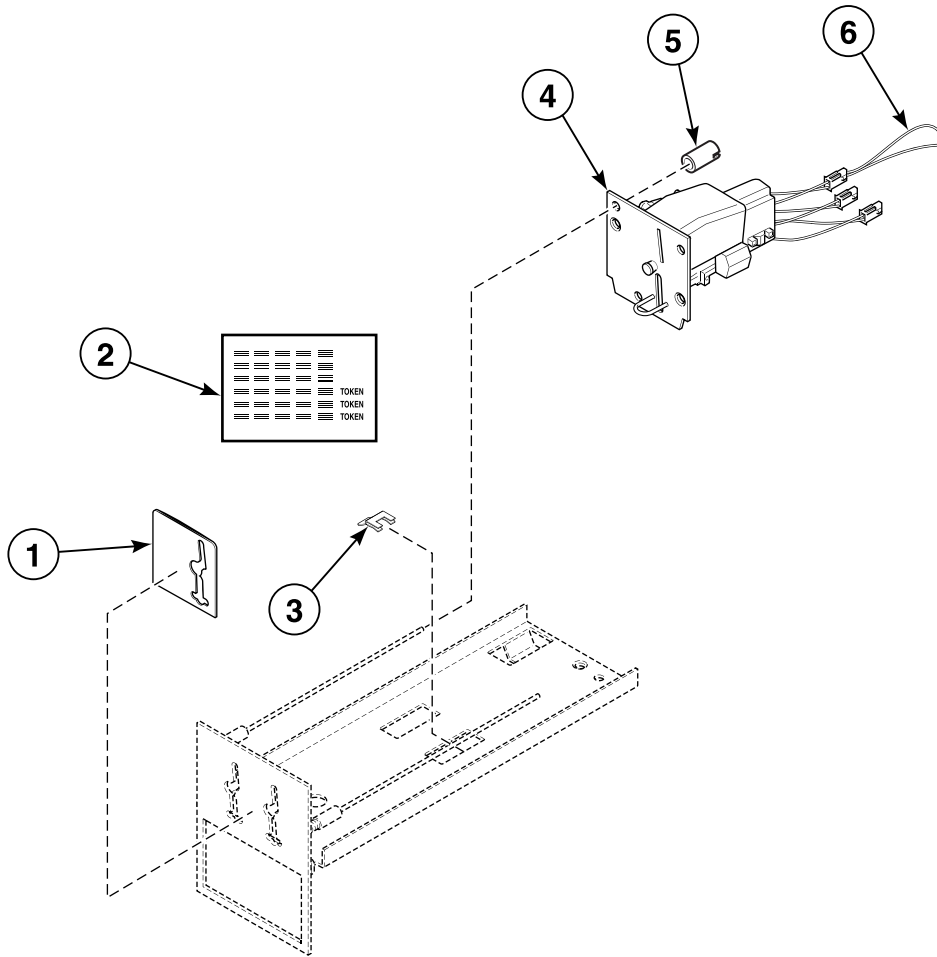
Coin Slide Extension, Meter Case and Service Door

REF	PART NO.	DESCRIPTION	COMMENTS
1	29796	Nut	
2	29651	Bolt	
3	523P3	Coin Funnel Kit	
4	201917P	Switch Mount Assembly	
5	51782	Screw	
6	501524	Screw	
7	201581	Chassis Mounting Bracket	
8	503688	Screw	
9	201577P	Control Assembly	
10	512304	Control Shield	
11	36048	Screw	
12	503673	Screw	
13	39874WP	Service Door Assembly	White
	39874QP	Service Door Assembly	Bisque
14	30642	Meter Case Locking Bracket	
15	30647	Nut	
16	26354	Meter Case Gasket	
17	201010WP	Meter Case Kit	White; Includes items 3, 16 and 18-22
	201010QP	Meter Case Kit	Bisque; Includes items 3, 16 and 18-22
18	02505	Bolt	
19	29786	Nut	
20	35525	Meter Case Lockdown Bracket	
21	35526	Meter Case Bracket Gasket	
22	802337	Nut	
23	201915	Slide Extension Assembly	
24	03815	Washer	
25	27328	Screw	

* Add Letter To Designate Color. L - Almond Q - Bisque W - White

Electronic Coin Drop

Models HWLX21*N1102, HWTR21*N1102, HWTX21*M3020, HWTX21*M3022, HWTX21*N1102, HWTX21*N3020, HWTX21*N3022, SWTA21*M3022, SWTA21*M3050, SWTA21*N3050, SWTX21*M3000, SWTX21*M3020, SWTX21*M3022, SWTX21*M3050, SWTX21*M3069, SWTX21*N1127, SWTX21*N3000, SWTX21*N3020, SWTX21*N3022, SWTX21*N3050 and SWTX21*N3069



FLW961P_39202

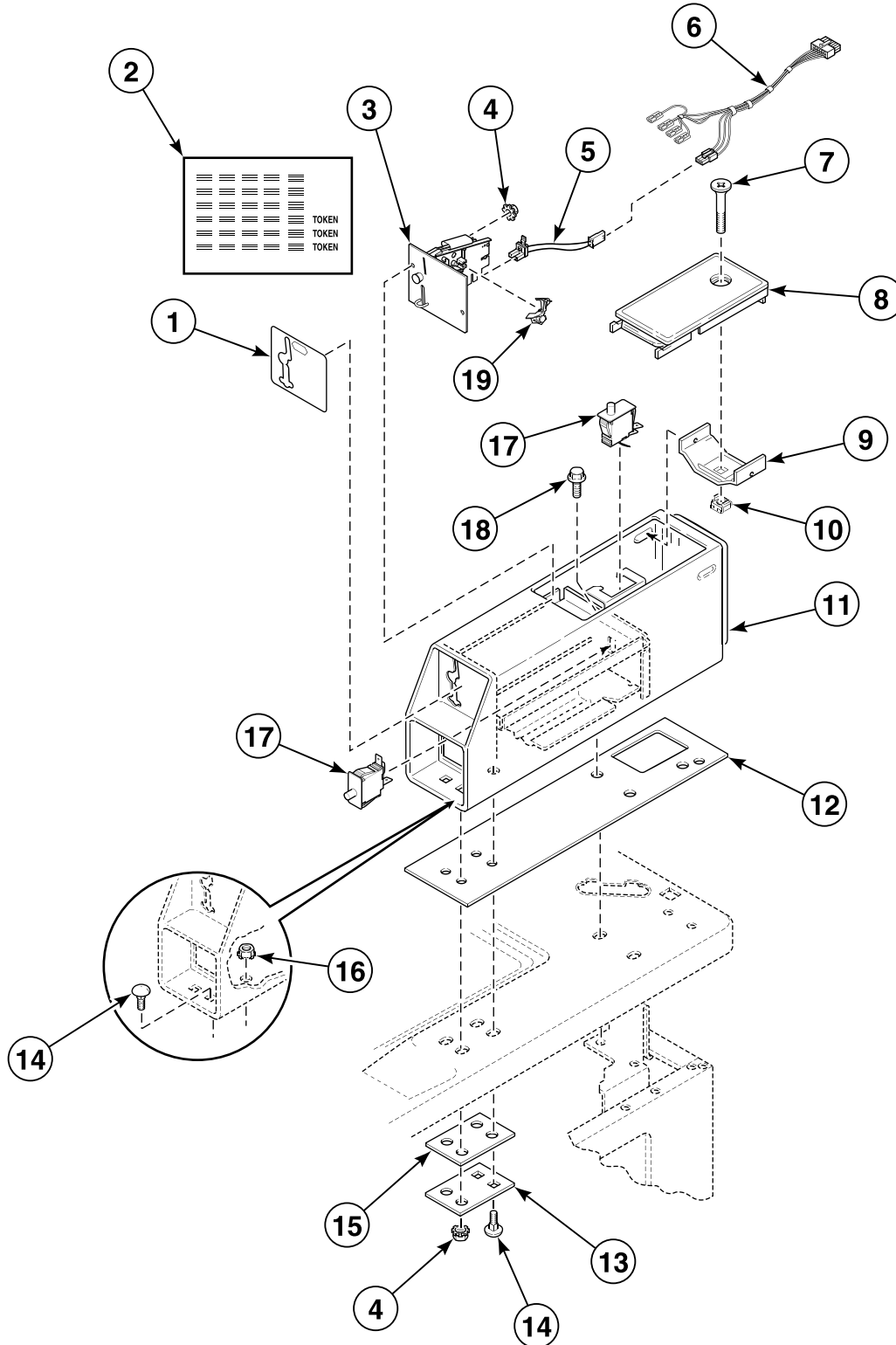
Electronic Coin Drop

REF	PART NO.	DESCRIPTION	COMMENTS
1	201091	Overlay	
2	38725	Coin Identification Paper	
3	201572	Clip	Use with electronic coin drops
4	CK095	Electronic Coin Drop Kit	United States, Canada, Japan and Taiwan coins
	70294101P	Electronic Coin Drop Assembly	United States, Canada, Japan and Taiwan coins
	CK099	Electronic Coin Drop Kit	Australia, New Zealand, Hong Kong and South Korea coins
	70294105P	Electronic Coin Drop Assembly	Australia, New Zealand, Hong Kong and South Korea coins
	CK100	Electronic Coin Drop Kit	Euro and Great Britain coins
	70294103P	Electronic Coin Drop Assembly	Euro and Great Britain coins
	CK101	Electronic Coin Drop Kit	Euro, Denmark and Norway coins
	70294104	Electronic Coin Drop Assembly	Euro, Denmark and Norway coins
	CK103	Electronic Coin Drop Kit	Euro, Lithuania and Latvia coins
	70294107	Electronic Coin Drop Assembly	Euro, Lithuania and Latvia coins
	CK106	Electronic Coin Drop Kit	Malaysia, China, Russia and Singapore coins
	70294109	Electronic Coin Drop Assembly	Malaysia, China, Russia and Singapore coins
	CK108	Electronic Coin Drop Kit	South African 1, 2, 5 rand coins
	70294110	Electronic Coin Drop Assembly	South African 1, 2, 5 rand coins
	CK109	Electronic Coin Drop Kit	Euro coins
	70294111	Electronic Coin Drop Assembly	Euro coins
CK110	Electronic Coin Drop Kit	Mexican, Ecuador and United States coins	
70294106	Electronic Coin Drop Assembly	Mexican, Ecuador and United States coins	
5	201216	Nut	
6	201104	Coin Drop Wire Harness	

* Add Letter To Designate Color. L - Almond Q - Bisque W - White

Coin Drop, Meter Case and Service Door (Drawing 1 of 2)

Models HWLX21*N1102, HWTR21*N1102, HWTX21*M3020, HWTX21*M3022, HWTX21*N1102, HWTX21*N3020, HWTX21*N3022, SWT421*A3000, SWT421*A3022, SWT421*A3028, SWT421*A3050, SWT421*M3000, SWT421*M3022, SWT421*M3050, SWTA21*M3022, SWTA21*M3050, SWTA21*N3050, SWTX21*M3000, SWTX21*M3020, SWTX21*M3022, SWTX21*M3050, SWTX21*M3069, SWTX21*N1127, SWTX21*N3000, SWTX21*N3020, SWTX21*N3022, SWTX21*N3050 and SWTX21*N3069



TLW1617P_39202

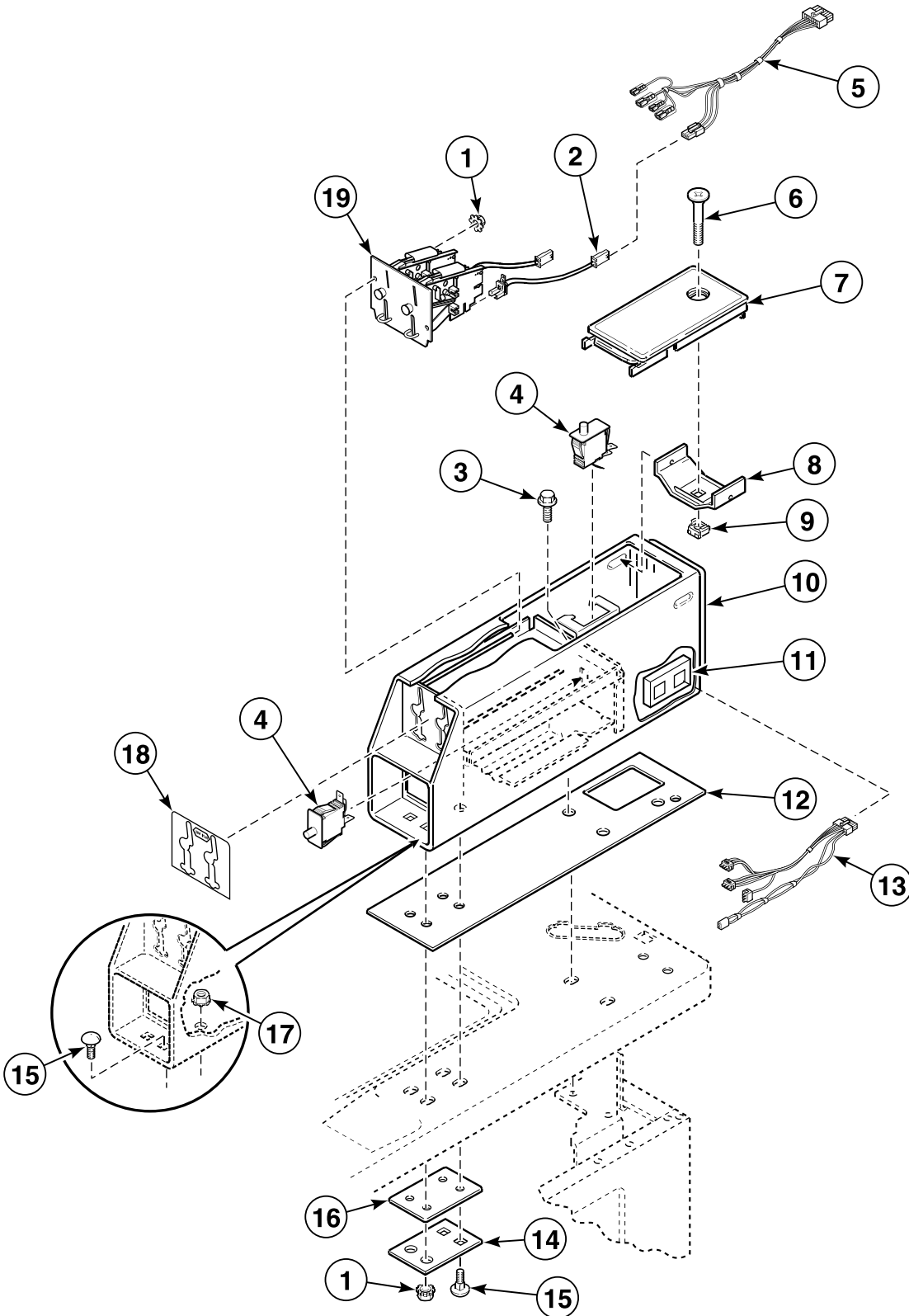
Coin Drop, Meter Case and Service Door (Drawing 1 of 2)

REF	PART NO.	DESCRIPTION	COMMENTS
1	38717	Single Overlay	
2	38725	Coin Identification Paper	
3	38479P	Coin Drop	Single; U.S.A.; Currency \$.25
	38467	Coin Drop Assembly	Dual; Australia; Currency \$.20 and \$1.00
	38464P	Coin Drop Assembly	Single; Canada; Currency \$.25
	200578P	Coin Drop Assembly	Dual; Canada; Currency \$.25 and \$1.00
	38472	Coin Drop Assembly	Dual; England; Currency 20 pence and 1 pound
	38519	Coin Drop Assembly	Dual; Japan; Currency 100 yen and 500 yen
	38521	Coin Drop Assembly	Dual; Korea; Currency 100 won and 500 won
	38522	Coin Drop Assembly	Dual; New Zealand; Currency \$.20 and \$1.00
	38462P	Coin Drop Assembly	Single; Token; Currency STD-118-1
	38463	Coin Drop Assembly	Single; Token; Currency STD-118-5
	38963P	Coin Drop	Single; Token; Currency STD-118-16
4	29786	Nut	
5	200674P	Opto Coupler	
6	800213P	Dual Coin Harness	Models HWLX21*N1102, HWTR21*N1102, HWTX21*M3020, HWTX21*M3022, HWTX21*N1102, HWTX21*N3020, HWTX21*N3022, SWTA21*M3022, SWTA21*M3050, SWTA21*N3050, SWTX21*M3000, SWTX21*M3022, SWTX21*M3050, SWTX21*M3069, SWTX21*N1127, SWTX21*N3000, SWTX21*N3020, SWTX21*N3022, SWTX21*N3050 and SWTX21*N3069
	39955P	Meter Case Wire Harness Kit	All other models
7	503673	Screw	
8	39874WP	Service Door Assembly	White
	39874LP	Service Door Assembly	Almond
	39874QP	Service Door Assembly	Bisque
9	30642	Meter Case Locking Bracket	
10	30647	Nut	
11	802505W	Meter Case Assembly	White; Model HWTR21*N1102
	802505Q	Meter Case Assembly	Bisque; Model HWTR21*N1102
	38724W	Meter Case Assembly	White; All other models
	38724L	Meter Case Assembly	Almond; All other models
	38724Q	Meter Case Assembly	Bisque; All other models
12	26354	Meter Case Gasket	
13	35525	Meter Case Lockdown Bracket	
14	02505	Bolt	
15	35526	Meter Case Bracket Gasket	
16	802337	Nut	
17	504570	Switch	
18	36048	Screw	
19	201595P	Wire Guard	Anti-stringing security device; Add to coin drops manufactured Jan. 2005 and later

* Add Letter To Designate Color. L - Almond Q - Bisque W - White

Coin Drop, Meter Case and Service Door (Drawing 2 of 2)

Models HWT521*A1102, HWT521*C1102, HWTB21*M1102, HWTB21*N1102,
HWTT21*N1102, HWTZ21*M1102 and HWTZ21*N1102



TLW1548P_39202

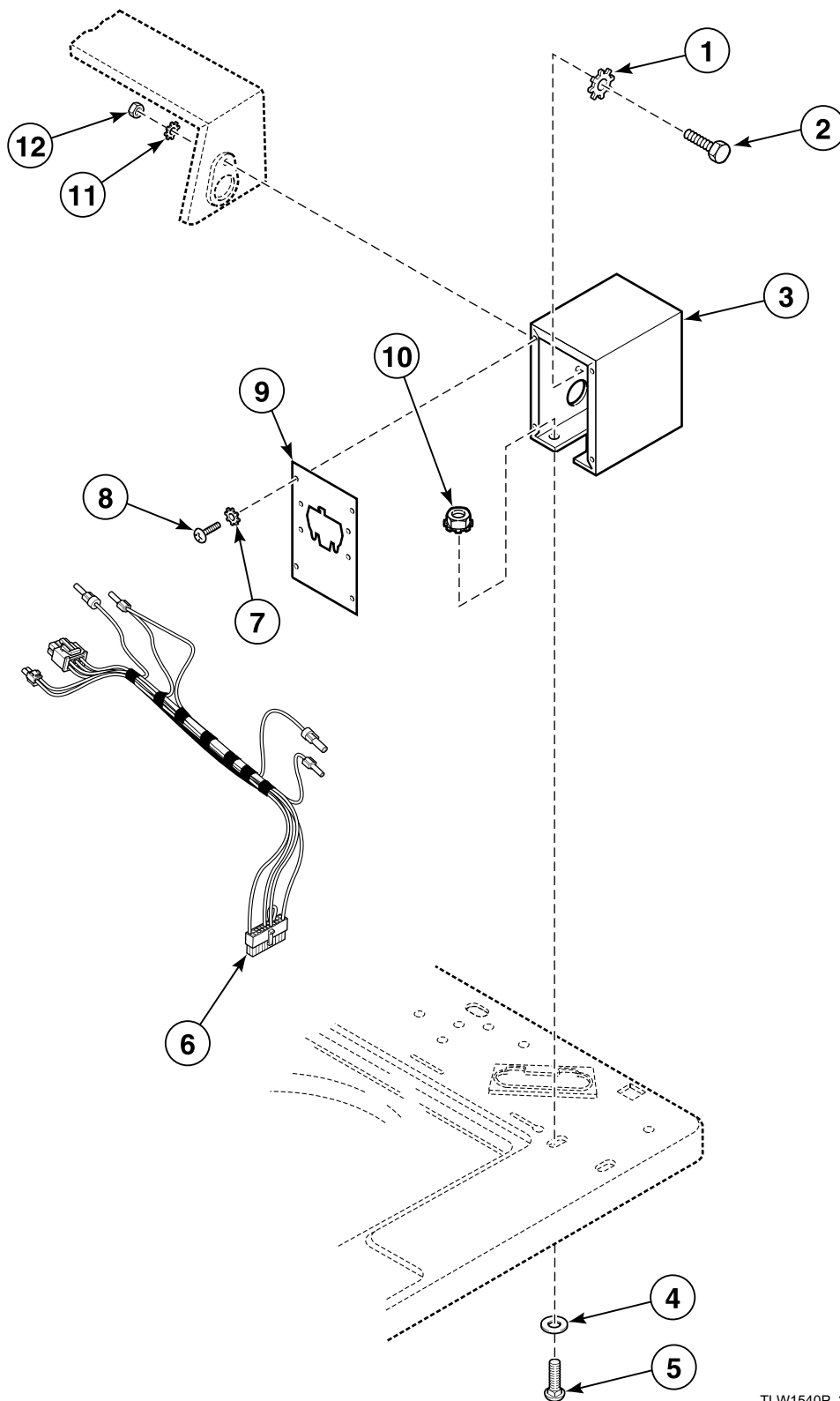
Coin Drop, Meter Case and Service Door (Drawing 2 of 2)

REF	PART NO.	DESCRIPTION	COMMENTS
1	29786	Nut	
2	200674P	Opto Coupler	
3	36048	Screw	
4	504570	Switch	
5	800213P	Dual Coin Harness	Models HWTB21*M1102, HWTB21*N1102, HWTT21*N1102, HWTZ21*M1102 and HWTZ21*N1102
	39955P	Meter Case Wire Harness Kit	Models HWT521*A1102 and HWT521*C1102
6	503673	Screw	
7	39874WP	Service Door Assembly	White
	39874LP	Service Door Assembly	Almond
	39874QP	Service Door Assembly	Bisque
8	30642	Meter Case Locking Bracket	
9	30647	Nut	
10	38724W	Meter Case Assembly	White
	38724L	Meter Case Assembly	Almond
	38724Q	Meter Case Assembly	Bisque
11	38571	Multiplier Assembly	
12	26354	Meter Case Gasket	
13	38673	Multiplier Harness	
14	35525	Meter Case Lockdown Bracket	
15	02505	Bolt	
16	35526	Meter Case Bracket Gasket	
17	802337	Nut	
18	39073	Dual Overlay	
	38676	Overlay Kit	Includes 38725 Coin Identification Paper
19	38467	Coin Drop Assembly	Dual; Australia; Currency \$.20 and \$1.00
	38464P	Coin Drop Assembly	Single; Canada; Currency \$.25
	200578P	Coin Drop Assembly	Dual; Canada; Currency \$.25 and \$1.00
	38472	Coin Drop Assembly	Dual; England; Currency 20 pence and 1 pound
	38519	Coin Drop Assembly	Dual; Japan; Currency 100 yen and 500 yen
	38521	Coin Drop Assembly	Dual; Korea; Currency 100 won and 500 won
	38522	Coin Drop Assembly	Dual; New Zealand; Currency \$.20 and \$1.00
	38462P	Coin Drop Assembly	Single; Token; Currency STD-118-1
	38463	Coin Drop Assembly	Single; Token; Currency STD-118-5
	38963P	Coin Drop	Single; Token; Currency STD-118-16
	38479P	Coin Drop	Single; U.S.A.; Currency \$.25

* Add Letter To Designate Color. L - Almond Q - Bisque W - White

Timer Case

Models HWT621*A1102 and HWT621*C1102



TLW1540P_39202

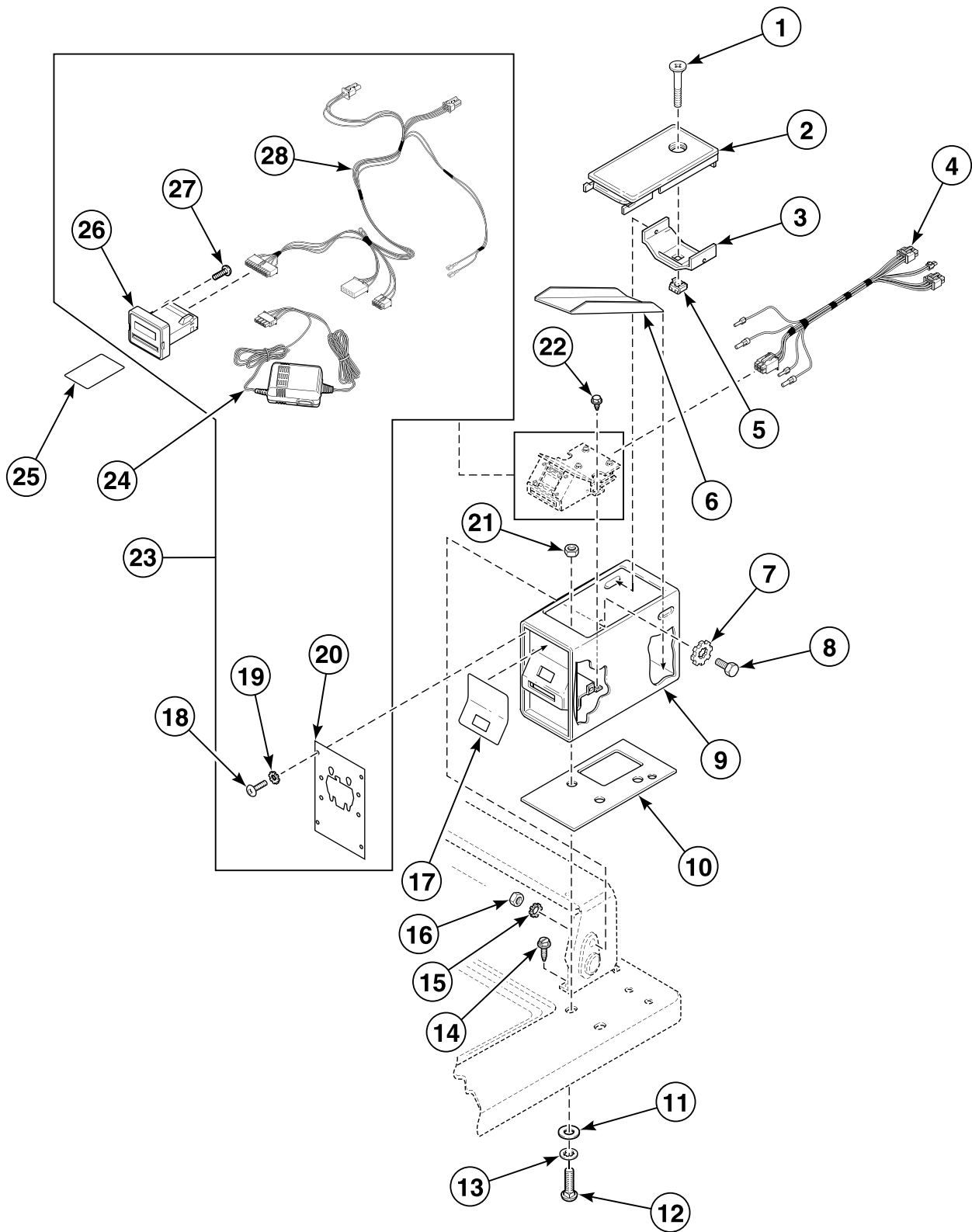
Timer Case

REF	PART NO.	DESCRIPTION	COMMENTS
1	M400017	Washer	
2	02916	Screw	
3	37733W	Timer Case Assembly	
4	30627	Washer	
5	02505	Bolt	
6	38026	Security Wire Harness Assembly	
7	21734	Washer	
8	51778	Screw	
9	39481W	Timer Plate	White; Model HWT621*C1102
	39481L	Timer Plate	Almond; Model HWT621*C1102
10	29786	Nut	
11	02431	Washer	
12	52566	Nut	

* Add Letter To Designate Color. L - Almond Q - Bisque W - White

Security Case and Card Reader

Models HWT721*A1102 and HWT721*C1102



TLW1618P_39202

Security Case and Card Reader

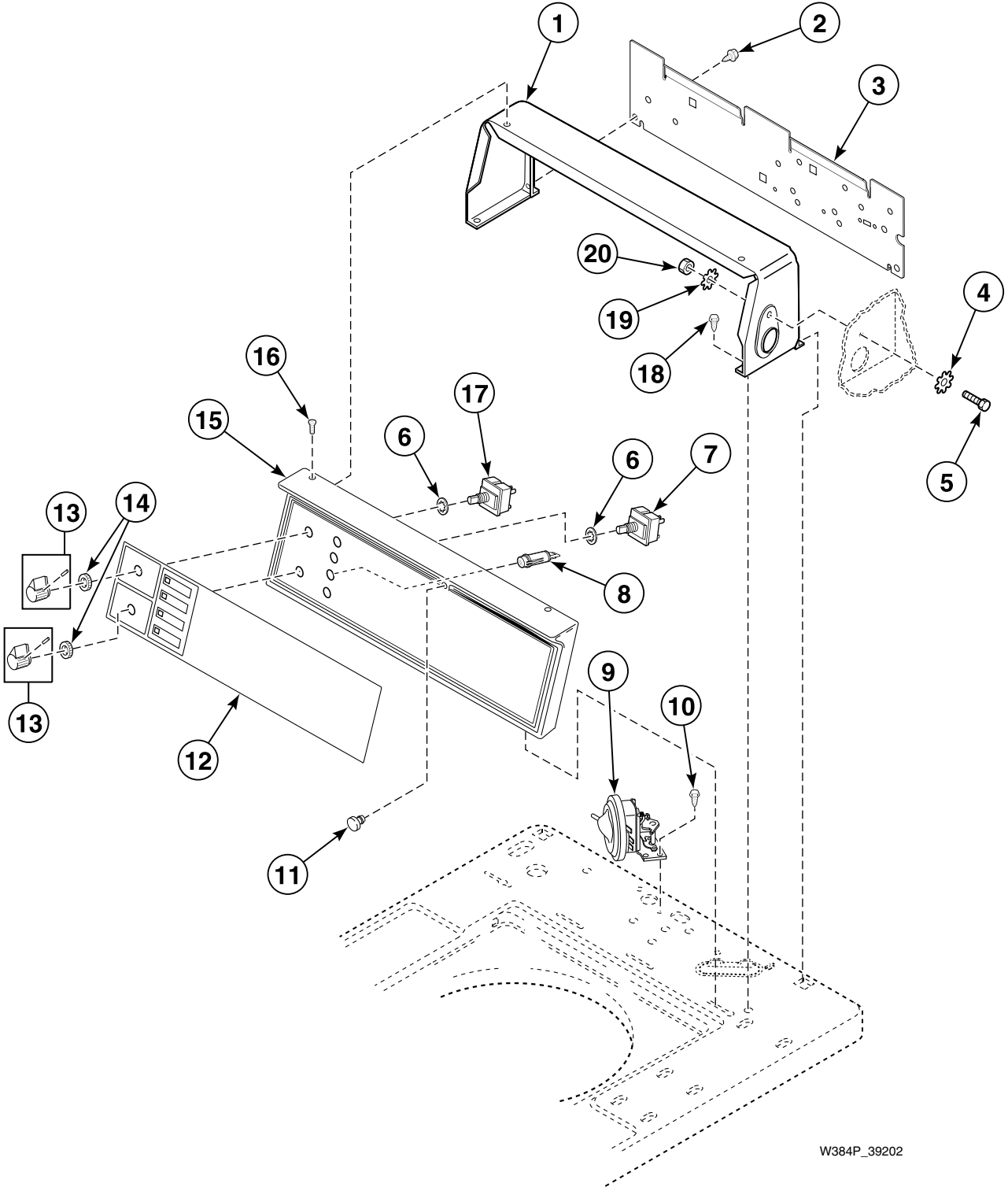
REF	PART NO.	DESCRIPTION	COMMENTS
1	503673	Screw	
2	39874WP	Service Door Assembly	White
	39874LP	Service Door Assembly	Almond
	39874QP	Service Door Assembly	Bisque
3	30642	Meter Case Locking Bracket	
4	38191	Card Reader Wire Harness Assembly	Use with 39685 Card Reader
5	30647	Nut	
6	N/A	Card Reader Shield	
7	M400017	Washer	
8	02916	Screw	
9	N/A	Security Case Assembly	Use with 39685 Card Reader
	37733W	Timer Case Assembly	Use with card reader kit
10	37526	Security Case Gasket	
11	23225	Washer	
12	02505	Bolt	
13	30627	Washer	
14	23962	Screw	
15	02431	Washer	
16	52566	Nut	
17	N/A	Instruction Overlay	Use with 39685 Card Reader
18	51778	Screw	Use with card reader kit
19	21734	Washer	Use with card reader kit
20	39481W	Timer Plate	Use with card reader kit
21	29786	Nut	
22	52909	Screw	
23	874P3	Card Reader Kit	Includes items 9, 18-20, 24 and 26-28
24	512496	Power Supply	
25	512499P	Programming Card	
26	512473	Card Reader	
27	512504	Screw	
28	512501	Harness	

* Add Letter To Designate Color. L - Almond Q - Bisque W - White

N/A = Part no longer available

Control Panel, Control Hood and Controls (Drawing 1 of 18)

Models HWT021*A1102, HWT111*A1102, HWT111*A3000, HWT121*A1102, HWT210*A1102, HWT211*A3000, HWT211*M3000, HWT220*A1102, HWT220*M3000, HWT221*A1102, SWT011*A3000, SWT011*A3022, SWT011*A3062, SWT011*M3000, SWT011*M3022, SWT011*N3000, SWT011*N3022, SWT011*N3062, SWT111*A1200, SWT111*A1300, SWT111*A3000, SWT111*A3022, SWT111*A5412, SWT111*M1200, SWT111*M1300, SWT111*M3000, SWT111*M3022, SWT111*M5412, SWT111*N3000, SWT111*N3022, SWT111*N5412, SWT111*N5417, SWT121*A3000, SWT121*M3000, SWT211*A1200, SWT211*A1300, SWT211*A3000, SWT211*A3022, SWT211*A3062, SWT211*M3000, SWT211*M3022, SWT211*N3000, SWT211*N3022, SWT211*N3062, UWT011*A3022 and UWT011*M3022



W384P_39202

Control Panel, Control Hood and Controls (Drawing 1 of 18)

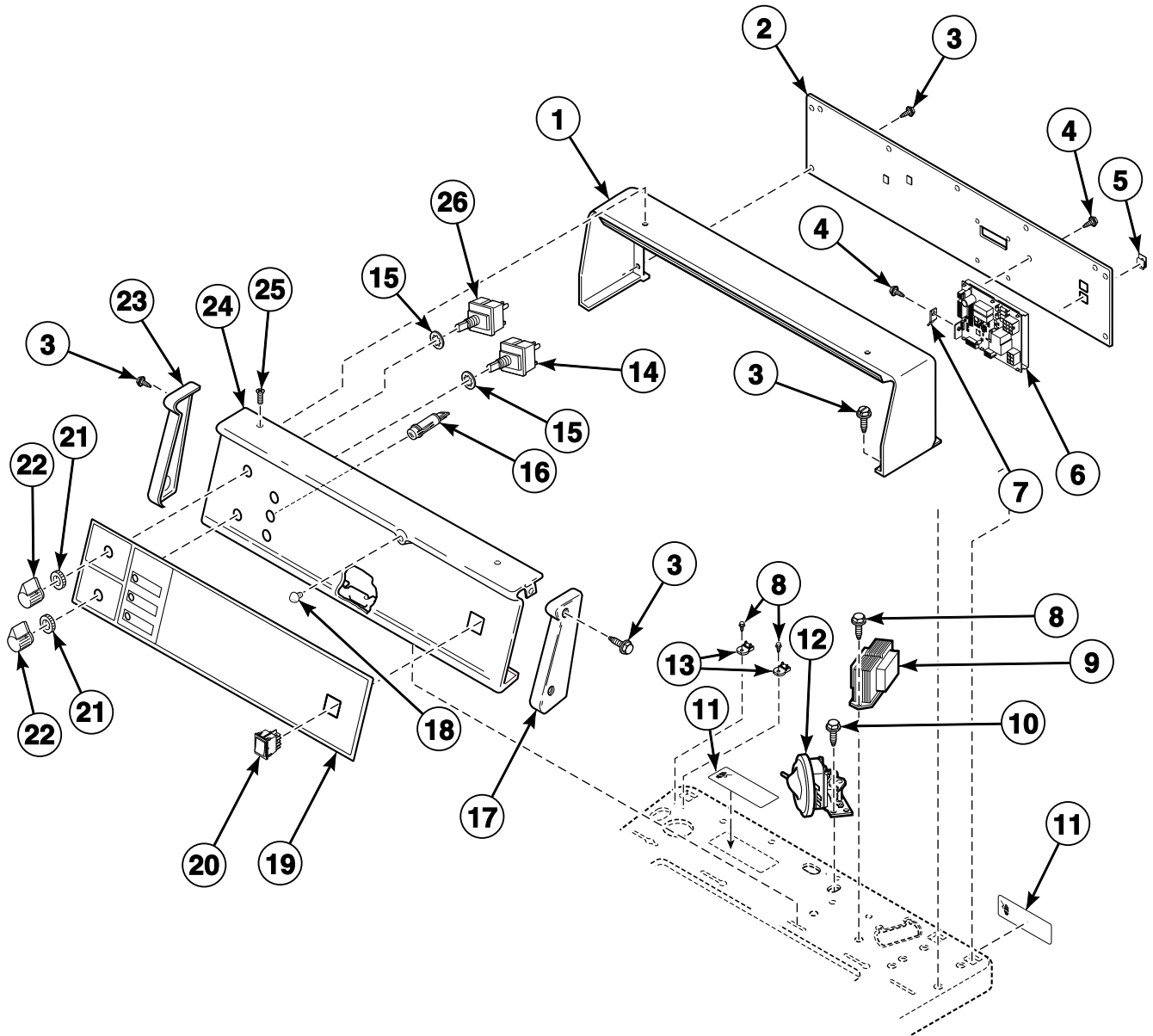
REF	PART NO.	DESCRIPTION	COMMENTS
1	37075W	Control Hood	White
	37075L	Control Hood	Almond
	37075Q	Control Hood	Bisque
2	23222	Screw	
3	38267	Hood Back Panel	
4	M400017	Washer	
5	02916	Screw	
6	91176	Washer	
7	27762	Switch	2 speed models
8	32464	Light	125 Volt; Nonmetered models 3 required; Metered models 2 required (1 rinse and 1 spin)
	32466	Light	125 Volt; In use
	32519	Light	250 Volt; Nonmetered models 3 required; Metered models 2 required (1 rinse and 1 spin)
	38281	Light	250 Volt; In use
9	35889P	Pressure Switch	
10	23962	Screw	
11	32648	Control Panel Bumper	
	202006	Control Panel Bumper	Extra thick
12	201258	Graphic Overlay	Models SWT011*A3000, SWT011*A3022, SWT011*A3062, SWT011*M3000, SWT011*M3022, SWT011*N3000, SWT011*N3022, SWT011*N3062, SWT111*A1200, SWT111*A1300, SWT111*A3000, SWT111*A3022, SWT111*M1200, SWT111*M1300, SWT111*M3000, SWT111*M3022, SWT111*N3000, SWT111*N3022, SWT211*A1200, SWT211*A1300, SWT211*A3000, SWT211*A3022, SWT211*A3062, SWT211*M3000, SWT211*M3022, SWT211*N3000, SWT211*N3022 and SWT211*N3062
	201259	Graphic Overlay	Models SWT121*A3000 and SWT121*M3000
	201260	Control Panel Overlay	Models SWT111*A5412, SWT111*M5412, SWT111*N5412 and SWT111*N5417
	N/A	Graphic Overlay	Models HWT021*A1102, HWT121*A1102, HWT220*A1102 and HWT221*A1102
	N/A	Graphic Overlay	Models HWT111*A1102, HWT111*A3000, HWT210*A1102, HWT211*A3000, HWT211*M3000 and HWT220*M3000
	201273	Control Panel Overlay	Models UWT011*A3022 and UWT011*M3022
13	39897	Switch Knob	
14	24205	Nut	
15	36521WP	Control Panel and Bracket Assembly	White
	36521LP	Control Panel and Bracket Assembly	Almond
	36521QP	Control Panel and Bracket Assembly	Bisque
16	500226	Screw	Phillips head
	35528	Screw	Torx head; For added security
17	81799	Water Temperature Switch	
18	501086	Screw	
19	02431	Washer	
20	52566	Nut	

* Add Letter To Designate Color. L - Almond Q - Bisque W - White

N/A = Part no longer available

Control Panel, Control Hood and Controls (Drawing 2 of 18)

Models BWT820*N1102, HWT821*N1102, JWT810*N5400, SWT811*N3000, SWT811*N3022 and SWT811*N3062



TLW1625P_39202

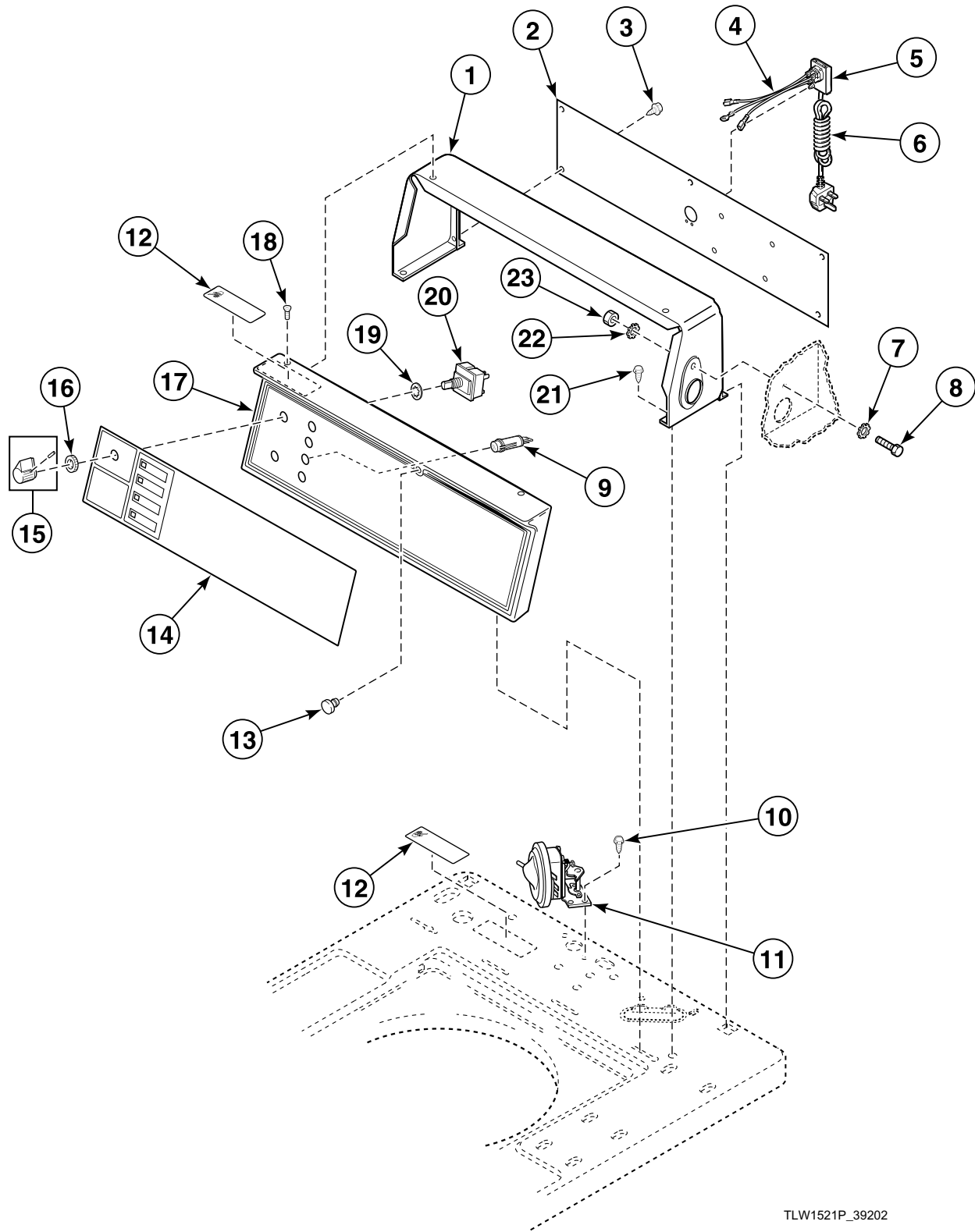
Control Panel, Control Hood and Controls (Drawing 2 of 18)

REF	PART NO.	DESCRIPTION	COMMENTS
1	210142W	Control Hood	White
	210142Q	Control Hood	Bisque
2	201732	Rear Panel	
3	501086	Screw	
4	501524	Screw	
5	M406494	Panel Clip	
6	201577P	Control Assembly	
7	00177	Male Tab Terminal	
8	503661	Screw	
9	201587P	Transformer	Models BWT820*N1102 and HWT821*N1102
	201616	Transformer	Models JWT810*N5400, SWT811*N3000, SWT811*N3022 and SWT811*N3062
10	23962	Screw	
11	505281	Disconnect Power Warning Label	
12	35889P	Pressure Switch	
13	210100	Resistor	
14	201686	Cycle Selector Switch	
15	91176	Washer	
16	801431	Light	
17	210108W	End Cap	Right
18	32648	Control Panel Bumper	
	202006	Control Panel Bumper	Extra thick
19	201744	Control Overlay	Models SWT811*N3000, SWT811*N3022 and SWT811*N3062
	201762	Control Overlay	Model HWT821*N1102
	202012	Control Overlay	Model BWT820*N1102
	201938	Control Overlay	Model JWT810*N5400
20	512562P	Rocker Switch	
21	24205	Nut	
22	39897	Switch Knob	
23	210109W	End Cap	Left
24	201742W	Control Panel Assembly	
25	52864	Screw	
26	81799	Water Temperature Switch	

* Add Letter To Designate Color. L - Almond Q - Bisque W - White

Control Panel, Control Hood and Controls (Drawing 3 of 18)

Models SWT011*A3050 and SWT111*A3050



TLW1521P_39202

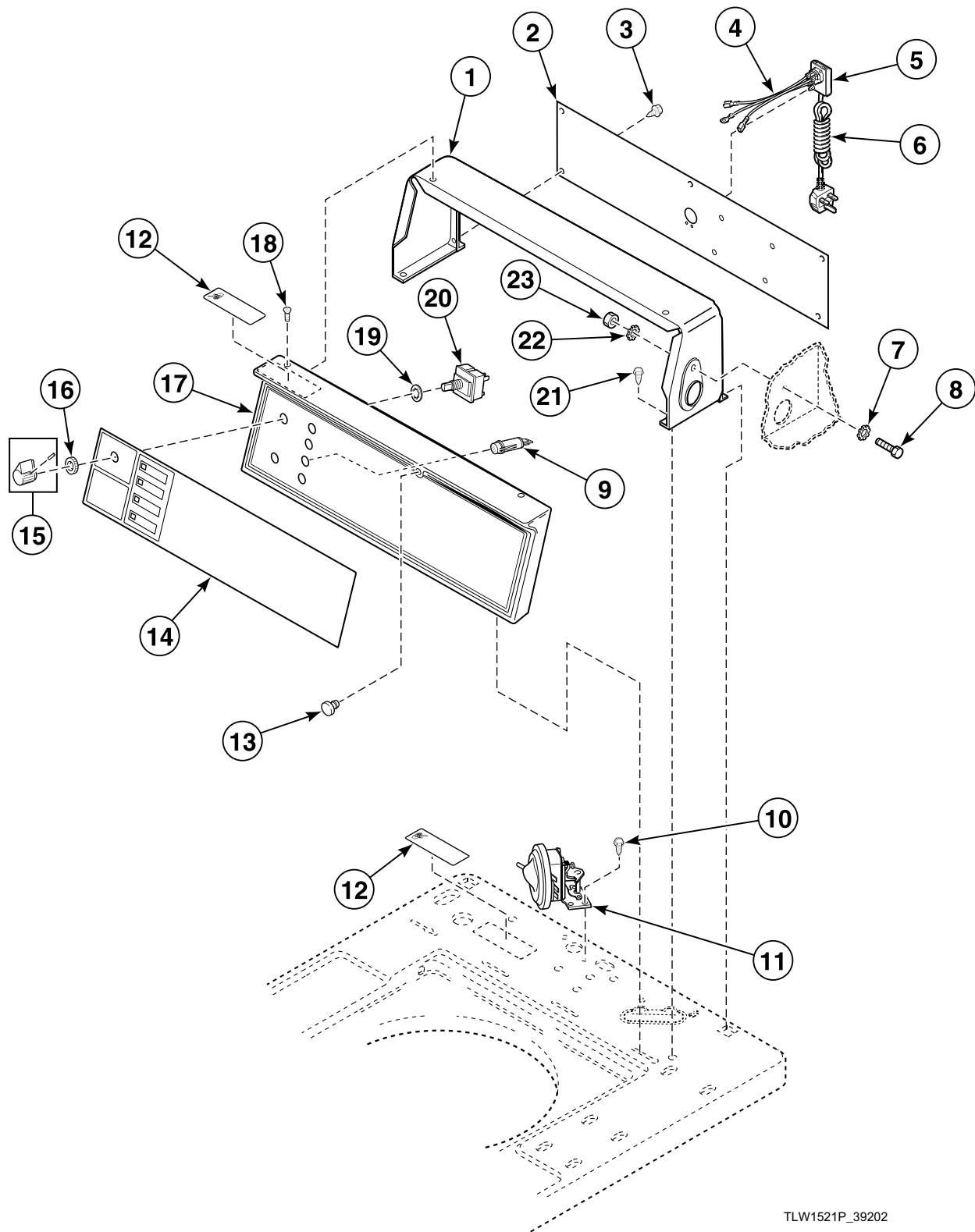
Control Panel, Control Hood and Controls (Drawing 3 of 18)

REF	PART NO.	DESCRIPTION	COMMENTS
1	37075W	Control Hood	White
	37075L	Control Hood	Almond
	37075Q	Control Hood	Bisque
2	38267	Hood Back Panel	Models through Serial Nos. beginning 0005
	39920	Hood Back Panel	Models starting Serial Nos. beginning 0005
3	23222	Screw	
4	39923	Lead-In Wire Harness Assembly	Models starting Serial Nos. beginning 0005
5	39922	Cable Connection Box	Models starting Serial Nos. beginning 0005
6	39931	Power Cord Assembly	Models starting Serial Nos. beginning 0005
7	M400017	Washer	
8	02916	Screw	
9	38281	Light	250 Volt; In use
10	23962	Screw	
11	35889P	Pressure Switch	
12	511021	Shock Warning Label	
13	32648	Control Panel Bumper	
	202006	Control Panel Bumper	Extra thick
14	201258	Graphic Overlay	
15	39897	Switch Knob	
16	24205	Nut	
17	36521WP	Control Panel and Bracket Assembly	White
	36521LP	Control Panel and Bracket Assembly	Almond
	36521QP	Control Panel and Bracket Assembly	Bisque
18	500226	Screw	Phillips head
	35528	Screw	Torx head; For added security
19	91176	Washer	
20	81799	Water Temperature Switch	
21	501086	Screw	
22	02431	Washer	
23	52566	Nut	

* Add Letter To Designate Color. L - Almond Q - Bisque W - White

Control Panel, Control Hood and Controls (Drawing 4 of 18)

Models SWT011*A3028, SWT011*M3050, SWT011*N3028, SWT011*N3050, SWT111*A3028, SWT111*M3050, SWT111*N3028, SWT111*N3050, SWT211*N3050 and UWT011*A3025



TLW1521P_39202

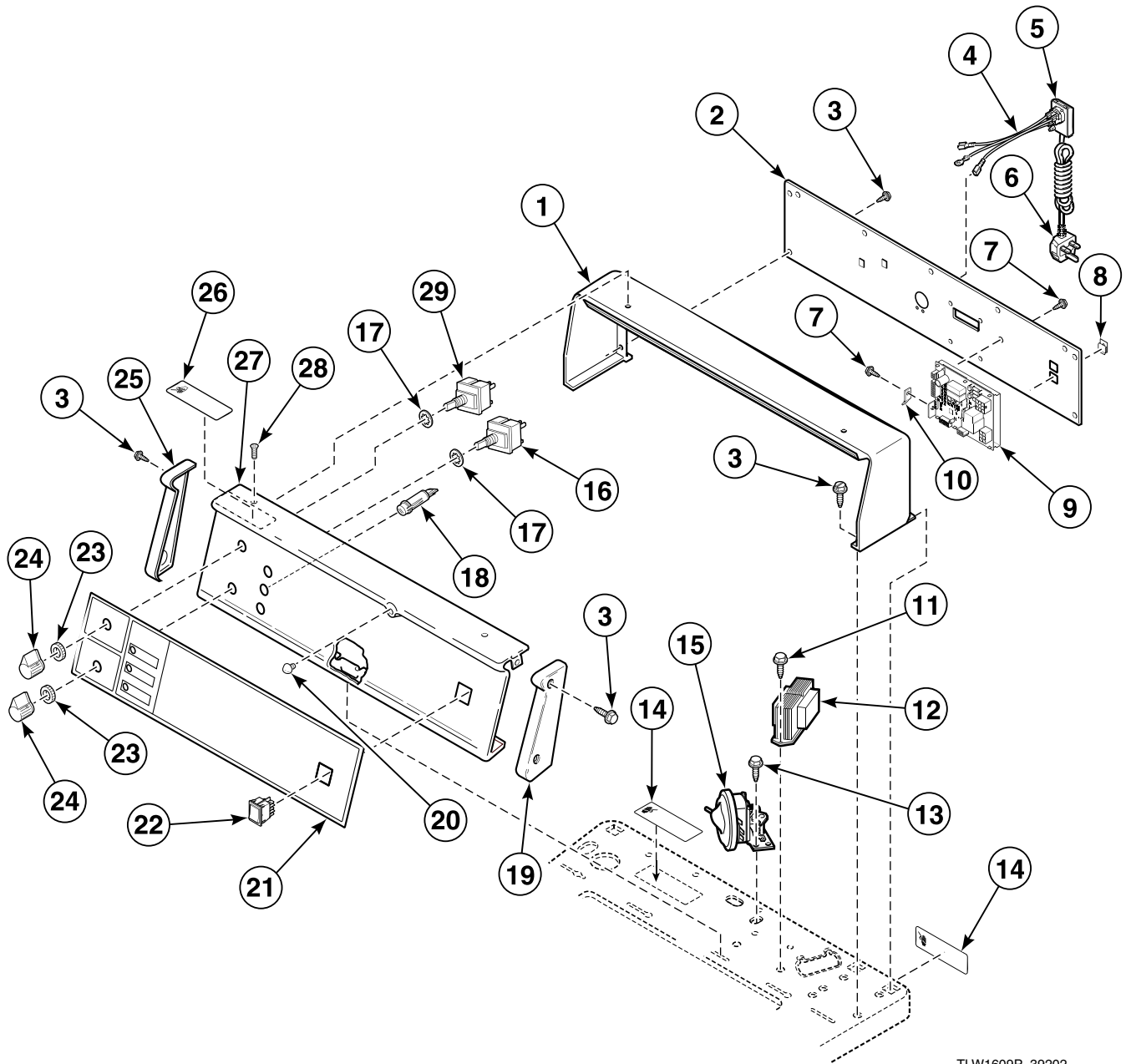
Control Panel, Control Hood and Controls (Drawing 4 of 18)

REF	PART NO.	DESCRIPTION	COMMENTS
1	37075W	Control Hood	White
	37075L	Control Hood	Almond
	37075Q	Control Hood	Bisque
2	39920	Hood Back Panel	
3	23222	Screw	
4	39923	Lead-In Wire Harness Assembly	
5	39922	Cable Connection Box	
6	39984	Power Cord Assembly	Models SWT011*A3028, SWT011*N3028, SWT111*A3028, SWT111*N3028 and UWT011*A3025
	39931	Power Cord Assembly	All other models
7	M400017	Washer	
8	02916	Screw	
9	38281	Light	250 Volt; In use
10	23962	Screw	
11	35889P	Pressure Switch	
12	511021	Shock Warning Label	
13	32648	Control Panel Bumper	
	202006	Control Panel Bumper	Extra thick
14	201273	Control Panel Overlay	Model UWT011*A3025
	201258	Graphic Overlay	All other models
15	39897	Switch Knob	
16	24205	Nut	
17	36521WP	Control Panel and Bracket Assembly	White
	36521LP	Control Panel and Bracket Assembly	Almond
	36521QP	Control Panel and Bracket Assembly	Bisque
18	500226	Screw	Phillips head
	35528	Screw	Torx head; For added security
19	91176	Washer	
20	81799	Water Temperature Switch	
21	501086	Screw	
22	02431	Washer	
23	52566	Nut	

* Add Letter To Designate Color. L - Almond Q - Bisque W - White

Control Panel, Control Hood and Controls (Drawing 5 of 18)

Models JWT810*N3020, JWT810*N3050 and SWT811*N3050



TLW1609P_39202

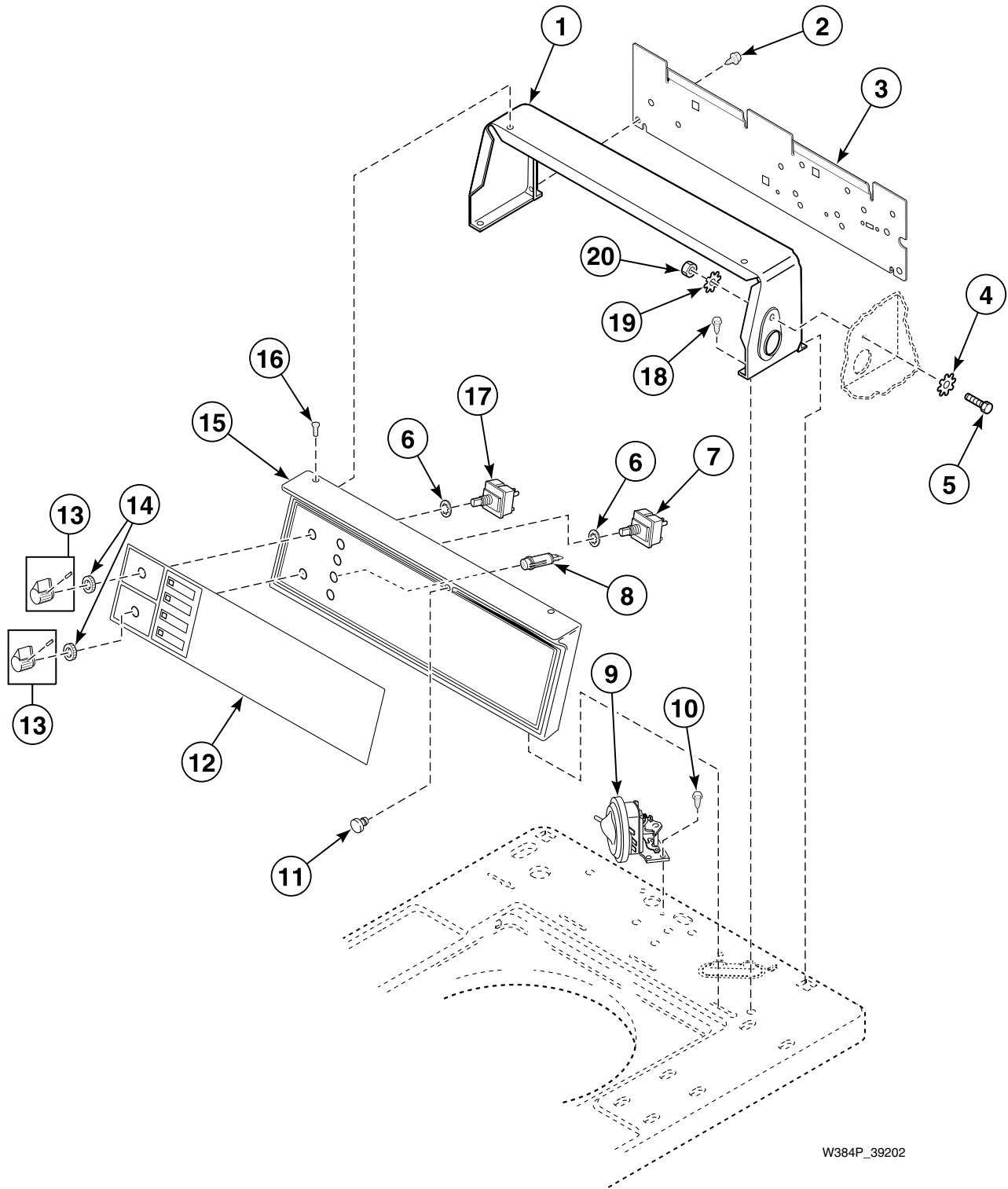
Control Panel, Control Hood and Controls (Drawing 5 of 18)

REF	PART NO.	DESCRIPTION	COMMENTS
1	210142W	Control Hood	White
	210142Q	Control Hood	Bisque
2	201951	Rear Panel	
3	501086	Screw	
4	39923	Lead-In Wire Harness Assembly	
5	39922	Cable Connection Box	
6	39931	Power Cord Assembly	Models JWT810*N3050 and SWT811*N3050
	39926	Lead-In Cord	Model JWT810*N3020
7	501524	Screw	
8	M406494	Panel Clip	
9	201577P	Control Assembly	
10	00177	Male Tab Terminal	
11	503661	Screw	
12	201616	Transformer	
13	23962	Screw	
14	505281	Disconnect Power Warning Label	
15	35889P	Pressure Switch	
16	201686	Cycle Selector Switch	
17	91176	Washer	
18	801431	Light	
19	210108W	End Cap	Right
20	32648	Control Panel Bumper	
	202006	Control Panel Bumper	Extra thick
21	201744	Control Overlay	Model SWT811*N3050
	201938	Control Overlay	Models JWT810*N3020 and JWT810*N3050
22	512562P	Rocker Switch	
23	24205	Nut	
24	39897	Switch Knob	
25	210109W	End Cap	Left
26	511021	Shock Warning Label	Models JWT810*N3050 and SWT811*N3050
27	201742W	Control Panel Assembly	
28	52864	Screw	
29	81799	Water Temperature Switch	

* Add Letter To Designate Color. L - Almond Q - Bisque W - White

Control Panel, Control Hood and Controls (Drawing 6 of 18)

Models HWT021*C1102, HWT021*M1102, HWT021*N1102, HWT111*C1102, HWT111*C3000, HWT111*M1102, HWT111*M3000, HWT111*N1102, HWT121*C1102, HWT121*M1102, HWT121*N1102, HWT210*C1102, HWT210*M1102, HWT210*N1102, HWT211*C1102, HWT211*C3000, HWT220*C1102, HWT220*M1102, HWT220*M3020, HWT221*C1102, HWT221*M1102, HWT221*N1102 and HWT221*N1127



W384P_39202

Control Panel, Control Hood and Controls (Drawing 6 of 18)

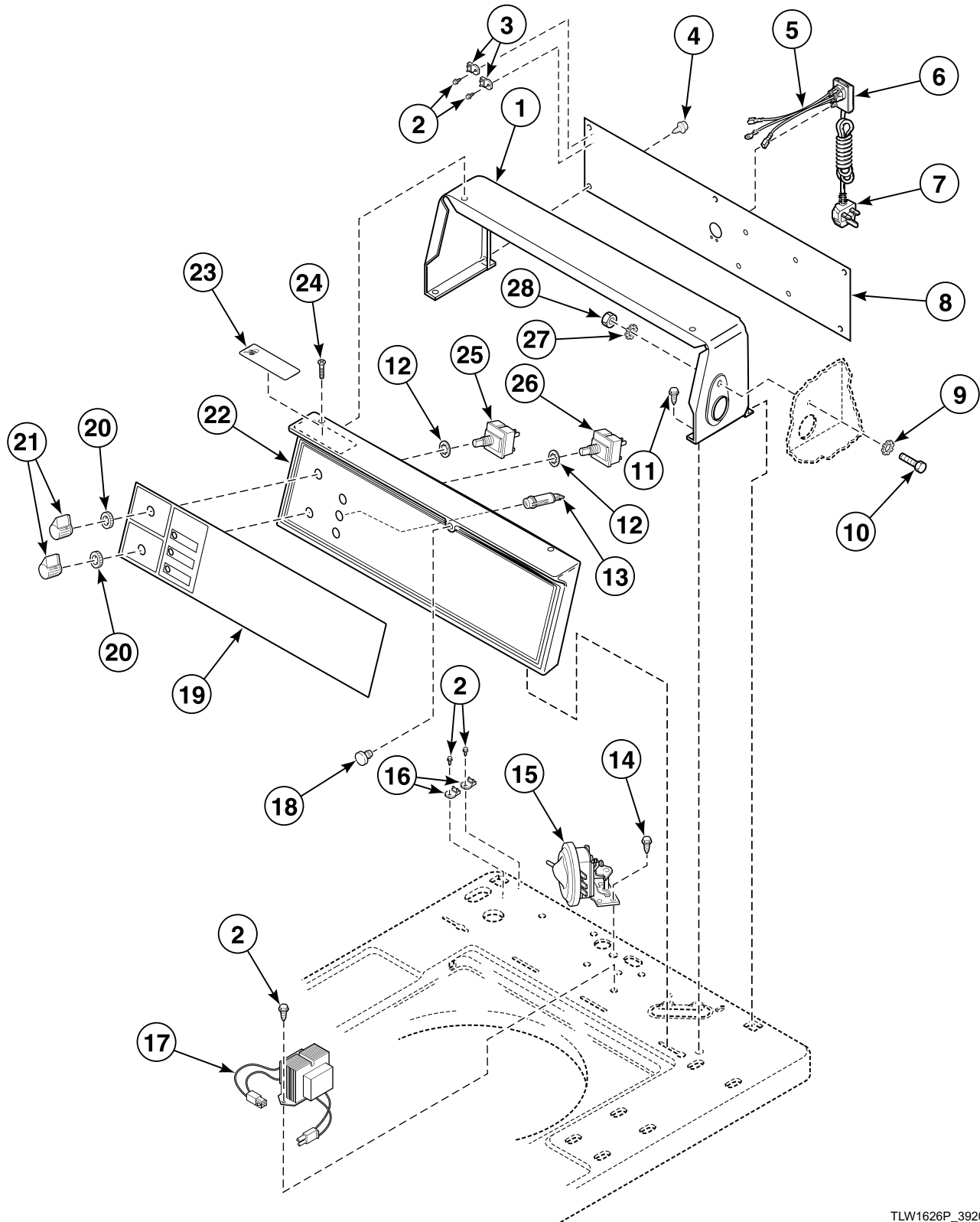
REF	PART NO.	DESCRIPTION	COMMENTS
1	37075W	Control Hood	White
	37075L	Control Hood	Almond
	37075Q	Control Hood	Bisque
2	23222	Screw	
3	38267	Hood Back Panel	
4	M400017	Washer	
5	02916	Screw	
6	91176	Washer	
7	27762	Switch	2 speed models
8	32464	Light	125 Volt; Nonmetered models 3 required; Metered models 2 required (1 rinse and 1 spin)
	32466	Light	125 Volt; In use
	32519	Light	250 Volt; Nonmetered models 3 required; Metered models 2 required (1 rinse and 1 spin)
	38281	Light	250 Volt; In use
9	35889P	Pressure Switch	
10	23962	Screw	
11	32648	Control Panel Bumper	
	202006	Control Panel Bumper	Extra thick
12	201267	Graphic Overlay	Models HWT111*C1102, HWT111*C3000, HWT111*M1102, HWT111*M3000, HWT111*N1102, HWT210*C1102, HWT210*M1102, HWT210*N1102, HWT211*C1102 and HWT211*C3000
	201266	Graphic Overlay	Models HWT021*C1102, HWT021*M1102, HWT021*N1102, HWT121*C1102, HWT121*M1102, HWT121*N1102, HWT220*C1102, HWT220*M1102, HWT221*C1102, HWT221*M1102, HWT221*N1102 and HWT221*N1127
	201268	Control Panel Overlay	Model HWT220*M3020
13	39897	Switch Knob	
14	N/A	Screw	
15	24205	Nut	
16	36521WP	Control Panel and Bracket Assembly	White
	36521LP	Control Panel and Bracket Assembly	Almond
	36521QP	Control Panel and Bracket Assembly	Bisque
17	500226	Screw	Phillips head
	35528	Screw	Torx head; For added security
18	81799	Water Temperature Switch	
19	501086	Screw	
20	02431	Washer	
21	52566	Nut	

* Add Letter To Designate Color. L - Almond Q - Bisque W - White

N/A = Part no longer available

Control Panel, Control Hood and Controls (Drawing 7 of 18)

Models BWT920*N1102, HWT911*N1102, HWT911*N3020, HWT921*N1102, HWT921*N1127,
JWT910*N3020, JWT910*N3050, SWT910*N3050, SWT911*N3000, SWT911*N3020, SWT911*N3022,
SWT911*N3028, SWT911*N3050, SWT911*N3062 and SWT911*N5412



TLW1626P_39202

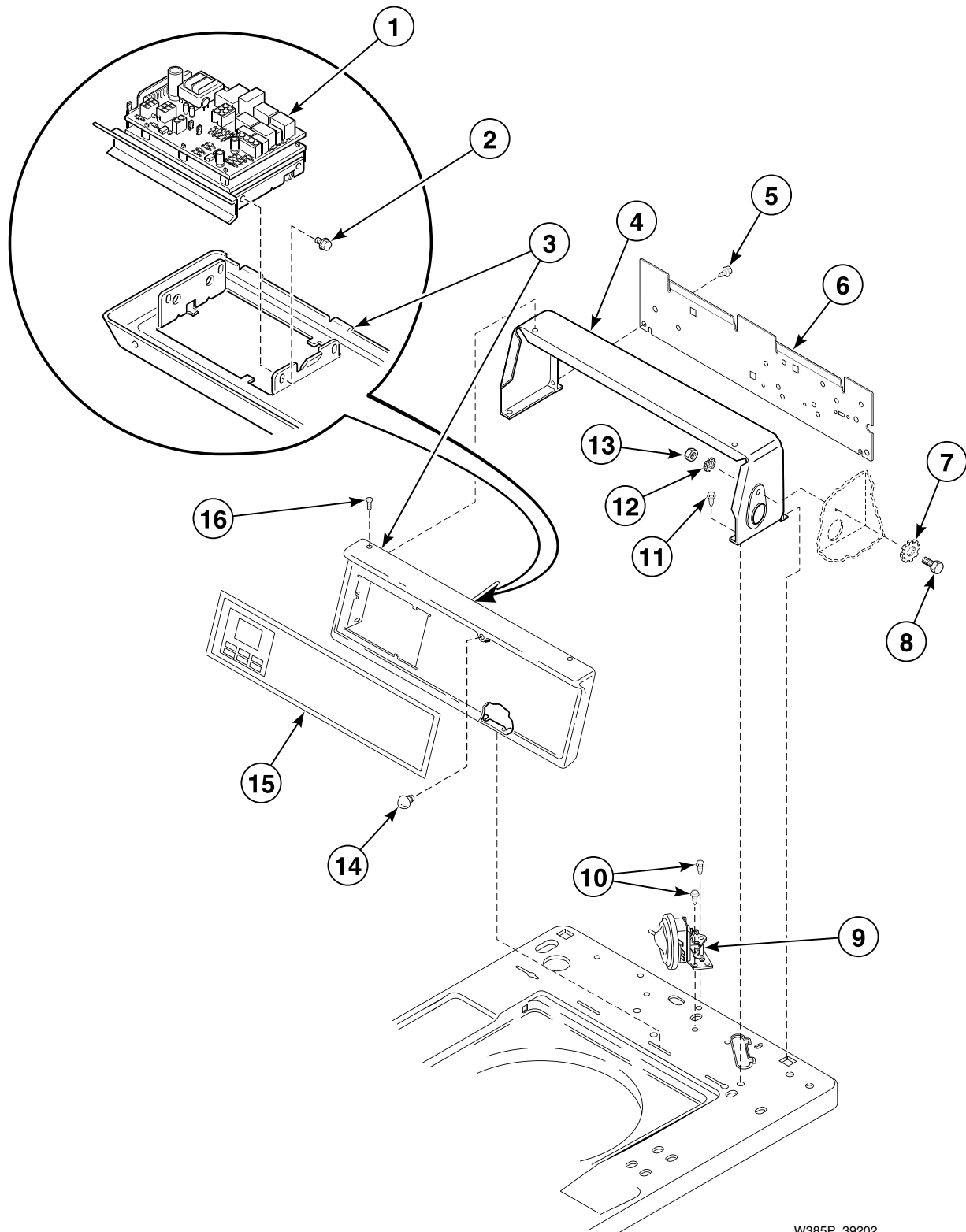
Control Panel, Control Hood and Controls (Drawing 7 of 18)

REF	PART NO.	DESCRIPTION	COMMENTS
1	37075W	Control Hood	White
	37075Q	Control Hood	Bisque
2	503661	Screw	
3	210100	Resistor	Models JWT910*N3050, SWT910*N3050 and SWT911*N3050
4	23222	Screw	
5	39923	Lead-In Wire Harness Assembly	Models HWT911*N3020, JWT910*N3020, JWT910*N3050, SWT910*N3050, SWT911*N3020, SWT911*N3028 and SWT911*N3050
6	39922	Cable Connection Box	Models HWT911*N3020, JWT910*N3020, JWT910*N3050, SWT910*N3050, SWT911*N3020, SWT911*N3028 and SWT911*N3050
7	39926	Lead-In Cord	Models HWT911*N3020, JWT910*N3020 and SWT911*N3020
	39931	Power Cord Assembly	Models JWT910*N3050, SWT910*N3050 and SWT911*N3050
	39984	Power Cord Assembly	Model SWT911*N3028
8	39920	Hood Back Panel	Models HWT911*N3020, JWT910*N3020, JWT910*N3050, SWT910*N3050, SWT911*N3020, SWT911*N3028 and SWT911*N3050
	38267	Hood Back Panel	All other models
9	M400017	Washer	
10	02916	Screw	
11	501086	Screw	
12	91176	Washer	
13	801431	Light	
14	23962	Screw	
15	35889P	Pressure Switch	
16	210100	Resistor	Models HWT911*N3020, JWT910*N3020, SWT911*N3000, SWT911*N3020, SWT911*N3022, SWT911*N3028, SWT911*N3062 and SWT911*N5412
17	201587P	Transformer	Models BWT920*N1102, HWT911*N1102, HWT921*N1102 and HWT921*N1127
	201616	Transformer	All other models
18	32648	Control Panel Bumper	
	202006	Control Panel Bumper	Extra thick
19	201669	Control Overlay	Model SWT911*N5412
	201937	Control Overlay	Models JWT910*N3020 and JWT910*N3050
	201674	Control Overlay	Models HWT911*N1102 and HWT911*N3020
	201675	Control Overlay	Models HWT921*N1102 and HWT921*N1127
	201999	Graphic Overlay	Model BWT920*N1102
	201667	Control Overlay	All other models
20	24205	Nut	
21	39897	Switch Knob	
22	36521WP	Control Panel and Bracket Assembly	White
	36521QP	Control Panel and Bracket Assembly	Bisque
23	511021	Shock Warning Label	Models JWT910*N3050, SWT910*N3050 and SWT911*N3050
24	500226	Screw	Phillips head
	35528	Screw	Torx head
25	81799	Water Temperature Switch	Models BWT920*N1102, HWT921*N1102 and HWT921*N1127
	201686	Cycle Selector Switch	All other models
26	201686	Cycle Selector Switch	Models BWT920*N1102, HWT921*N1102 and HWT921*N1127
27	02431	Washer	
28	52566	Nut	

* Add Letter To Designate Color. L - Almond Q - Bisque W - White

Control Panel, Control Hood and Controls (Drawing 8 of 18)

Models HWT521*A1102, HWT521*C1102, HWT621*A1102, HWT621*C1102, HWT721*A1102, HWT721*C1102, SWT421*A3000, SWT421*A3022, SWT421*M3000 and SWT421*M3022



W385P_39202

Control Panel, Control Hood and Controls (Drawing 8 of 18)

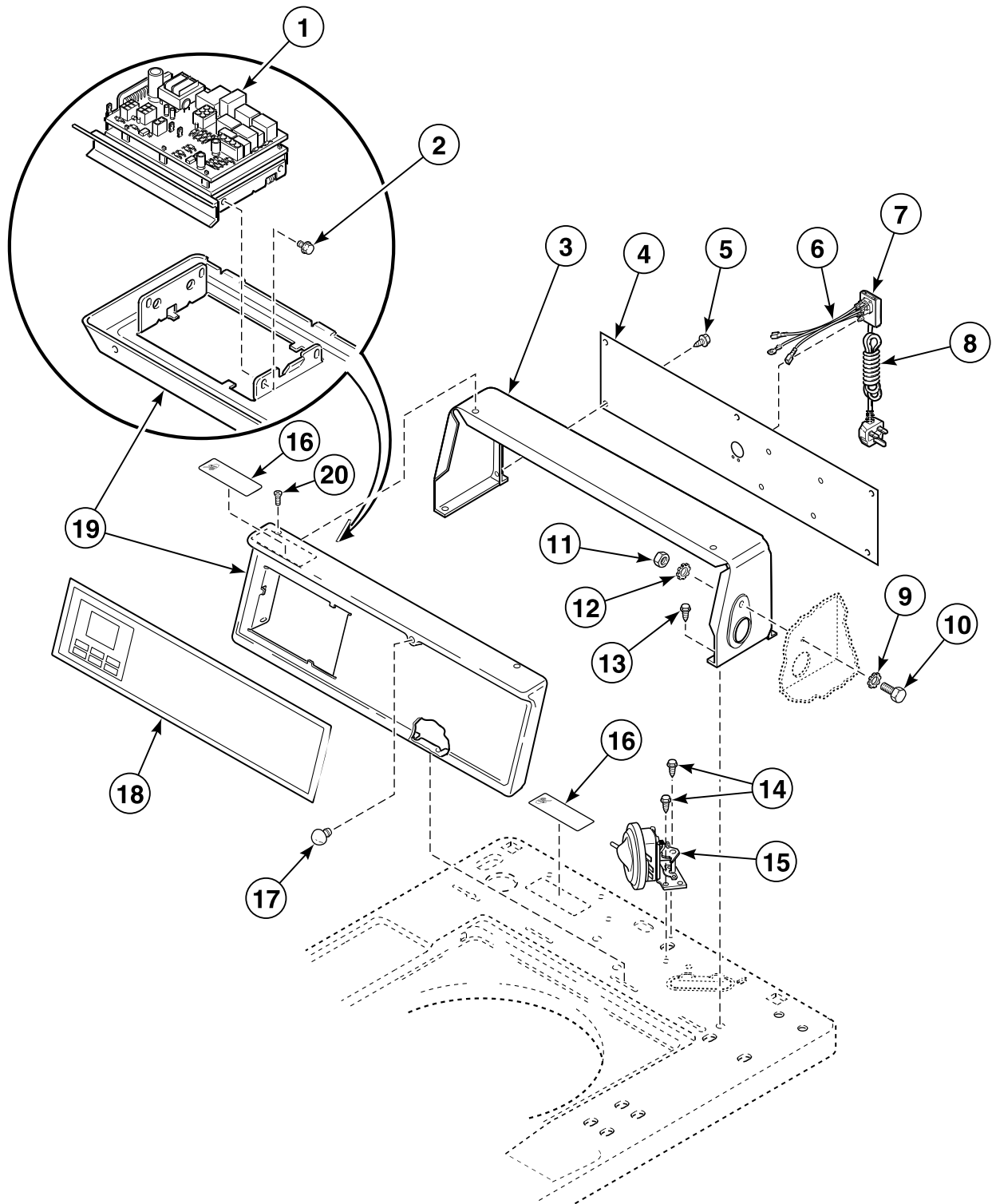
REF	PART NO.	DESCRIPTION	COMMENTS
1	36401P	Control and Shield Assembly	Models SWT421*A3000 and SWT421*A3022
	38188P	Control, Shield and Tape Kit	Models HWT521*A1102, HWT521*C1102, HWT621*A1102, HWT621*C1102, HWT721*A1102 and HWT721*C1102
	39820	Control and Shield Assembly	Models SWT421*M3000 and SWT421*M3022
2	501524	Screw	
3	36097W	Control Panel Assembly	White
	36097L	Control Panel Assembly	Almond
	36097Q	Control Panel Assembly	Bisque
4	37075W	Control Hood	White
	37075L	Control Hood	Almond
	37075Q	Control Hood	Bisque
5	23222	Screw	
6	38267	Hood Back Panel	
7	M400017	Washer	
8	02916	Screw	
9	35889P	Pressure Switch	
10	23962	Screw	
11	501086	Screw	
12	02431	Washer	
13	52566	Nut	
14	32648	Control Panel Bumper	
	202006	Control Panel Bumper	Extra thick
15	39096	Control Panel Overlay	Models SWT421*A3000, SWT421*A3022, SWT421*M3000 and SWT421*M3022
	N/A	Control Panel Overlay	Models HWT521*A1102, HWT521*C1102, HWT621*A1102, HWT621*C1102, HWT721*A1102 and HWT721*C1102
16	52864	Screw	Phillips head
	35528	Screw	Torx head; For added security

* Add Letter To Designate Color. L - Almond Q - Bisque W - White

N/A = Part no longer available

Control Panel, Control Hood and Controls (Drawing 9 of 18)

Model SWT421*A3050



TLW1156B_39202

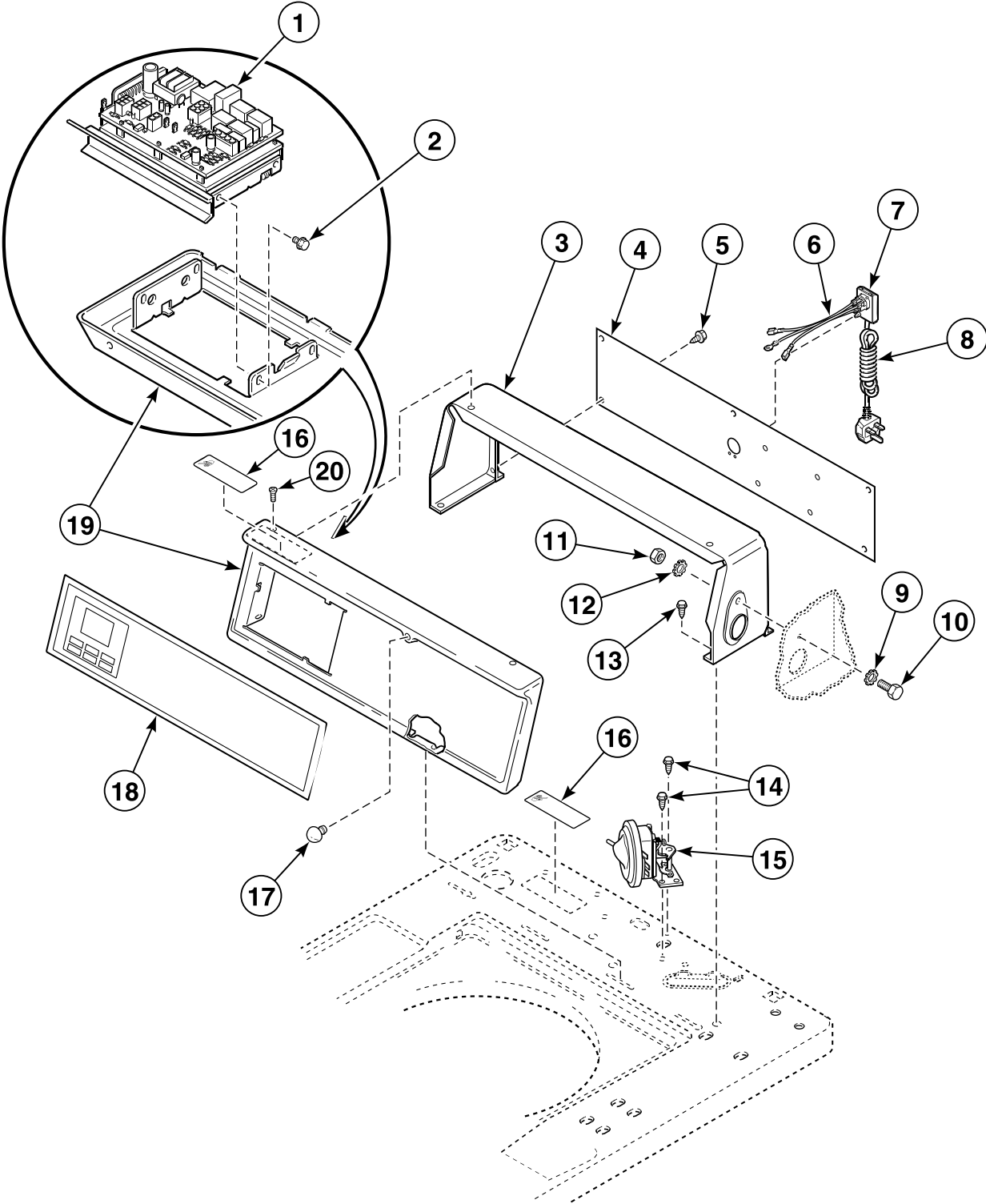
Control Panel, Control Hood and Controls (Drawing 9 of 18)

REF	PART NO.	DESCRIPTION	COMMENTS
1	36401P	Control and Shield Assembly	
2	501524	Screw	
3	37075W	Control Hood	White
	37075L	Control Hood	Almond
	37075Q	Control Hood	Bisque
4	38267	Hood Back Panel	Models through Serial Nos. beginning 0005
	39920	Hood Back Panel	Models starting Serial Nos. beginning 0005
5	23222	Screw	
6	39923	Lead-In Wire Harness Assembly	Models starting Serial Nos. beginning 0005
7	39922	Cable Connection Box	Models starting Serial Nos. beginning 0005
8	39931	Power Cord Assembly	Models starting Serial Nos. beginning 0005
9	M400017	Washer	
10	02916	Screw	
11	52566	Nut	
12	02431	Washer	
13	501086	Screw	
14	23962	Screw	
15	35889P	Pressure Switch	
16	511021	Shock Warning Label	
17	32648	Control Panel Bumper	
	202006	Control Panel Bumper	Extra thick
18	39096	Control Panel Overlay	
19	36097W	Control Panel Assembly	White
	36097L	Control Panel Assembly	Almond
	36097Q	Control Panel Assembly	Bisque
20	52864	Screw	Phillips head
	35528	Screw	Torx head; For added security

* Add Letter To Designate Color. L - Almond Q - Bisque W - White

Control Panel, Control Hood and Controls (Drawing 10 of 18)

Models SWT421*A3028 and SWT421*M3050



TLW1156B_39202

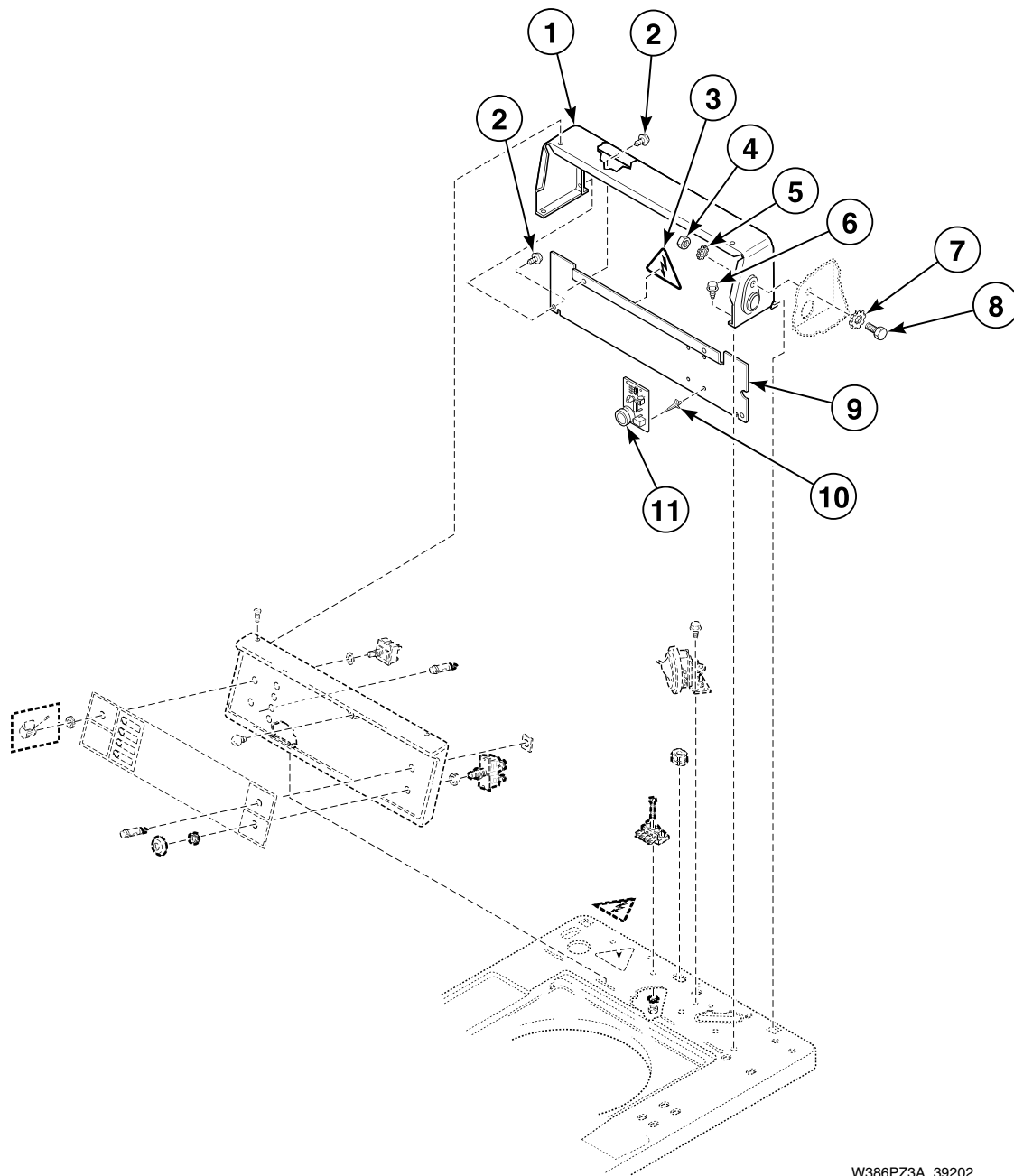
Control Panel, Control Hood and Controls (Drawing 10 of 18)

REF	PART NO.	DESCRIPTION	COMMENTS
1	36401P	Control and Shield Assembly	Model SWT421*A3028
	39820	Control and Shield Assembly	Model SWT421*M3050
2	501524	Screw	
3	37075W	Control Hood	White
	37075L	Control Hood	Almond
	37075Q	Control Hood	Bisque
4	39920	Hood Back Panel	
5	23222	Screw	
6	39923	Lead-In Wire Harness Assembly	
7	39922	Cable Connection Box	
8	39931	Power Cord Assembly	Model SWT421*M3050
	39984	Power Cord Assembly	Model SWT421*A3028
9	M400017	Washer	
10	02916	Screw	
11	52566	Nut	
12	02431	Washer	
13	501086	Screw	
14	23962	Screw	
15	35889P	Pressure Switch	
16	511021	Shock Warning Label	
17	32648	Control Panel Bumper	
	202006	Control Panel Bumper	Extra thick
18	39096	Control Panel Overlay	
19	36097W	Control Panel Assembly	White
	36097L	Control Panel Assembly	Almond
	36097Q	Control Panel Assembly	Bisque
20	52864	Screw	Phillips head
	35528	Screw	Torx head; For added security

* Add Letter To Designate Color. L - Almond Q - Bisque W - White

Control Hood

Models HWT011*B3073, HWT111*B3069, HWT211*B3020, SWT111*B3069, SWT211*A3020 and SWT211*B3020



W386PZ3A_39202

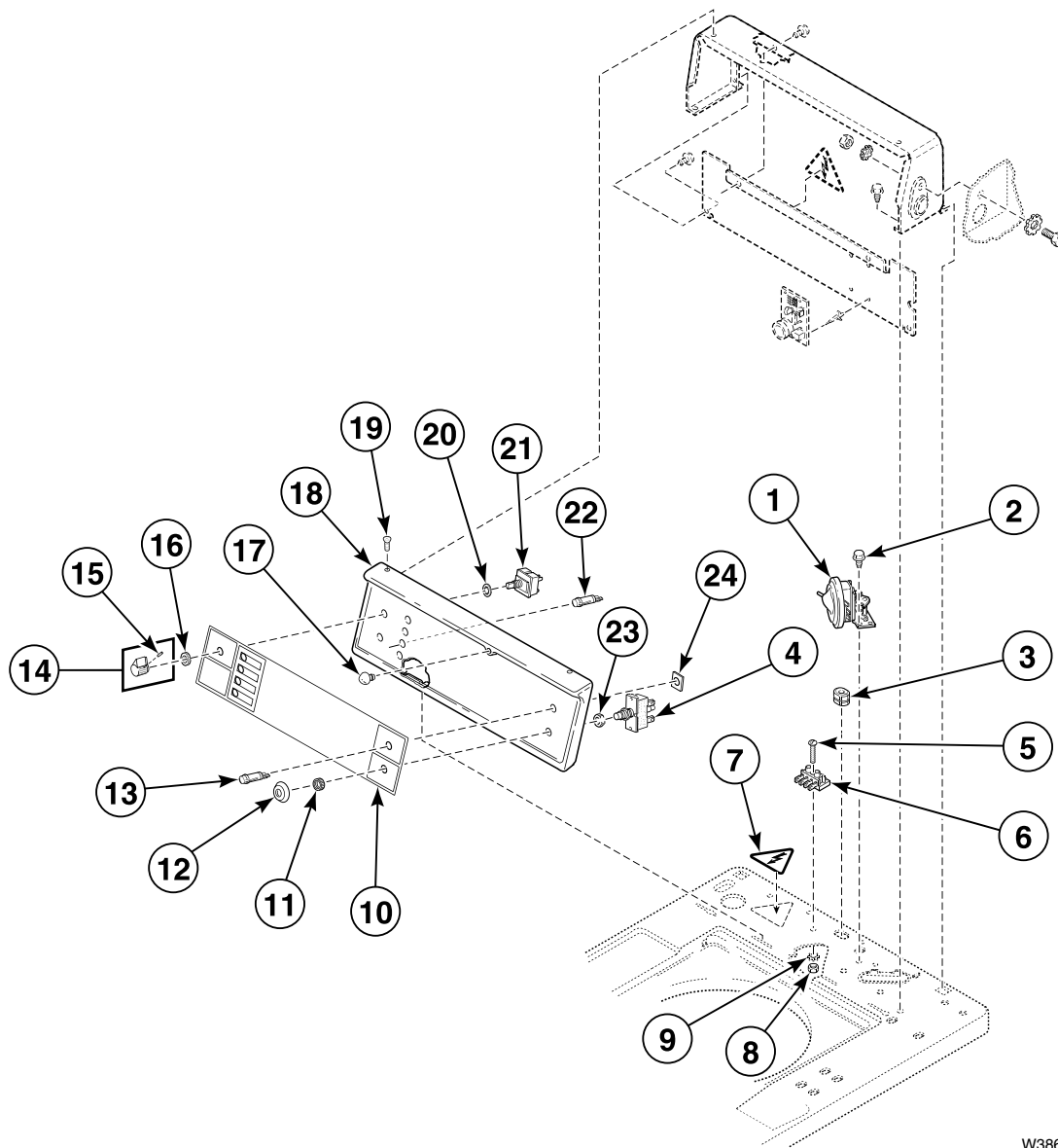
Control Hood

REF	PART NO.	DESCRIPTION	COMMENTS
1	37075W	Control Hood	White
	37075L	Control Hood	Almond
	37075Q	Control Hood	Bisque
2	23222	Screw	
3	502511	Electrical Shock Label	
4	52566	Nut	
5	02431	Washer	
6	23962	Screw	
7	M400017	Washer	
8	02916	Screw	
9	38267	Hood Back Panel	
10	501523	Circuit Board Support	Models HWT011*B3073, HWT111*B3069 and SWT111*B3069
11	37225P	Control Lid Lock Assembly	Models HWT011*B3073, HWT111*B3069 and SWT111*B3069

* Add Letter To Designate Color. L - Almond Q - Bisque W - White

Control Panel and Controls

Models HWT011*B3073, HWT111*B3069, HWT211*B3020, SWT111*B3069, SWT211*A3020 and SWT211*B3020



W386PZ3AA_39202

Control Panel and Controls

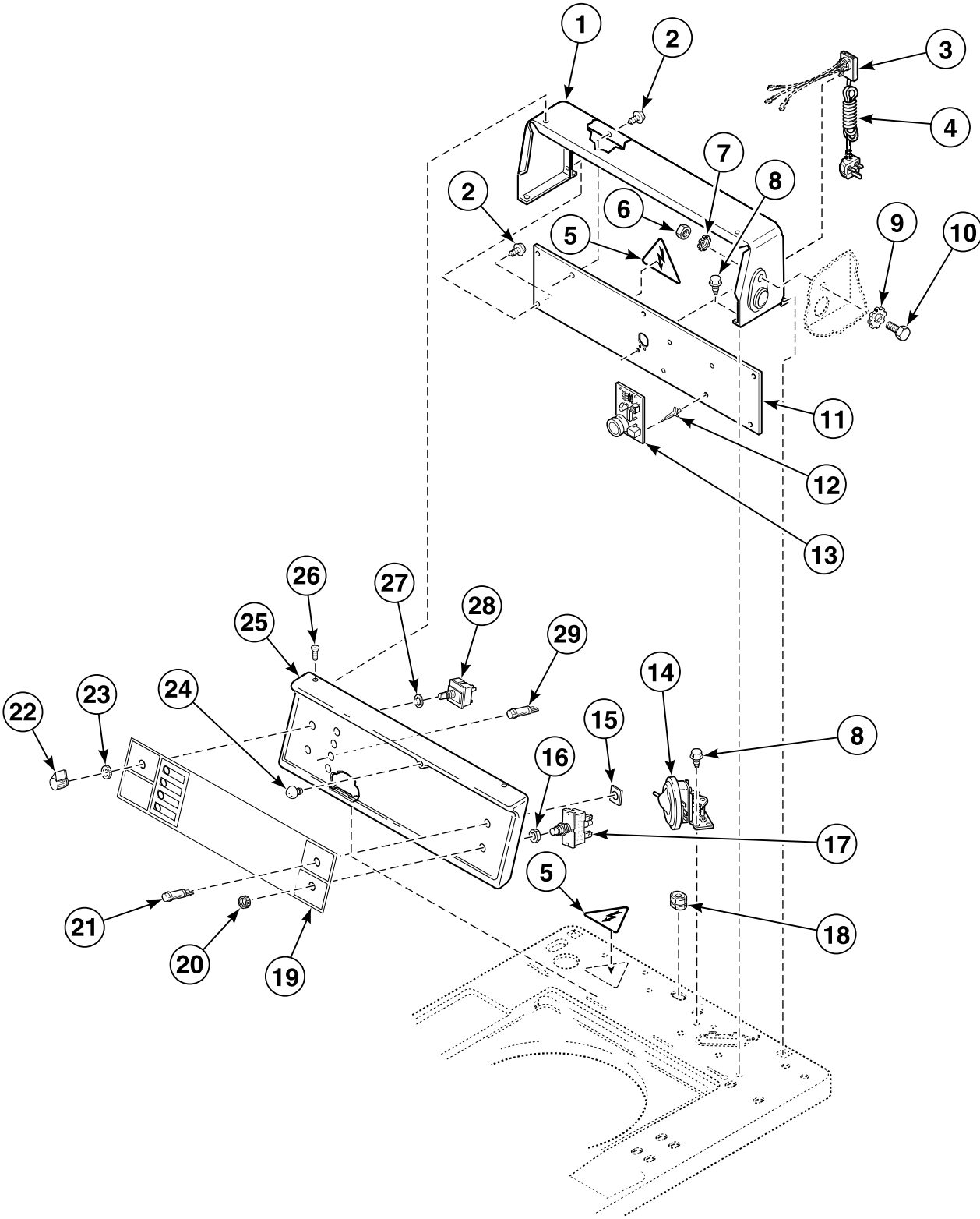
REF	PART NO.	DESCRIPTION	COMMENTS
1	35889P	Pressure Switch	
2	23962	Screw	
3	N/A	Strain Relief	
4	55882	Switch Assembly	Models HWT011*B3073, HWT111*B3069 and SWT111*B3069
5	Q6516	Screw	
6	36841	Terminal Block	
7	502511	Electrical Shock Label	
8	02788	Nut	
9	21734	Washer	
10	N/A	Graphic Overlay	Model HWT111*B3069
	201261	Graphic Overlay	Model SWT111*B3069
	201265	Control Panel Overlay	Models SWT211*A3020 and SWT211*B3020
	39728	Control Panel Overlay	Model HWT011*B3073
11	N/A	Nut	Models HWT011*B3073, HWT111*B3069 and SWT111*B3069
12	N/A	Switch Collar	Models HWT011*B3073, HWT111*B3069 and SWT111*B3069
13	39536	Lid Switch Indicator Light	Models HWT011*B3073, HWT111*B3069 and SWT111*B3069
14	39897	Switch Knob	
15	N/A	Screw	
16	24205	Nut	
17	32648	Control Panel Bumper	
	202006	Control Panel Bumper	Extra thick
18	36521WP	Control Panel and Bracket Assembly	White
	36521LP	Control Panel and Bracket Assembly	Almond
	36521QP	Control Panel and Bracket Assembly	Bisque
19	500226	Screw	Phillips head
	35528	Screw	Torx head; Optional for added security
20	91176	Washer	
21	81799	Water Temperature Switch	
22	32519	Light	Rinse or spin
	38281	Light	In-use
23	52947	Nut	Models HWT011*B3073, HWT111*B3069 and SWT111*B3069
24	34762	Push-on Clip	Models HWT011*B3073, HWT111*B3069 and SWT111*B3069

* Add Letter To Designate Color. L - Almond Q - Bisque W - White

N/A = Part no longer available

Control Panel, Control Hood and Controls (Drawing 11 of 18)

Models HWT211*M3020, SWT111*M3069 and SWT211*M3020



TLW1490P_39202

Control Panel, Control Hood and Controls (Drawing 11 of 18)

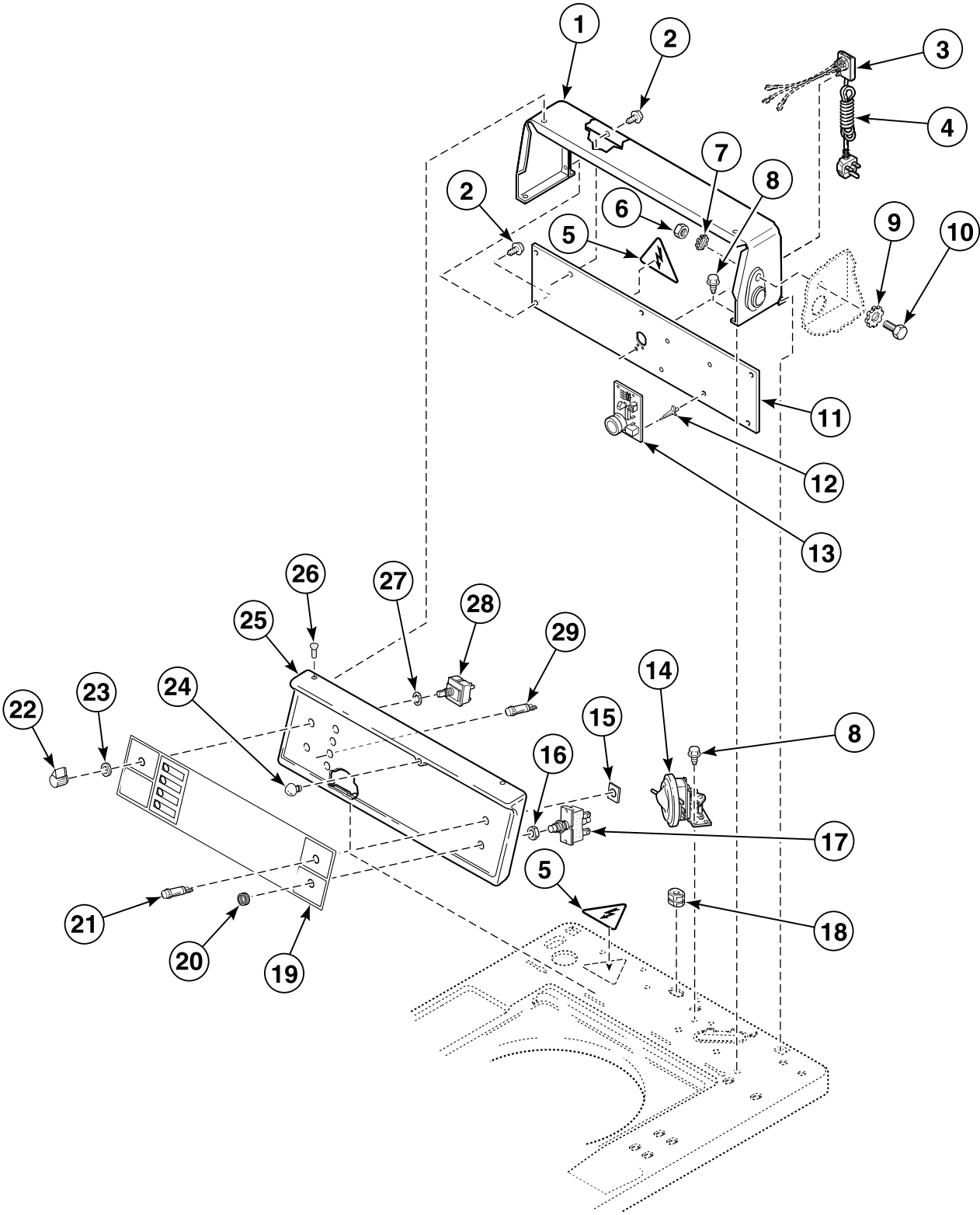
REF	PART NO.	DESCRIPTION	COMMENTS
1	37075W	Control Hood	White
	37075L	Control Hood	Almond
	37075Q	Control Hood	Bisque
2	23222	Screw	
3	39922	Cable Connection Box	Models starting Serial No. 0204008036
4	39925	Power Cord Assembly	Model SWT111*M3069 starting Serial No. 0204008036
	39926	Lead-In Cord	All other models starting Serial No. 0204008036
5	502511	Electrical Shock Label	
6	52566	Nut	
7	02431	Washer	
8	23962	Screw	
9	M400017	Washer	
10	02916	Screw	
11	38267	Hood Back Panel	Models through Serial No. 0204008035
	39920	Hood Back Panel	Models starting Serial No. 0204008036
12	501523	Circuit Board Support	Model SWT111*M3069
13	37225P	Control Lid Lock Assembly	Model SWT111*M3069
14	35889P	Pressure Switch	
15	34762	Push-on Clip	Model SWT111*M3069
16	52947	Nut	Model SWT111*M3069
17	55882	Switch Assembly	Model SWT111*M3069
18	N/A	Strain Relief	
19	201261	Graphic Overlay	Model SWT111*M3069
	201265	Control Panel Overlay	Model SWT211*M3020
	201268	Control Panel Overlay	Model HWT211*M3020
20	N/A	Nut	Model SWT111*M3069
21	39536	Lid Switch Indicator Light	Model SWT111*M3069
22	39897	Switch Knob	
23	24205	Nut	
24	32648	Control Panel Bumper	
	202006	Control Panel Bumper	Extra thick
25	36521WP	Control Panel and Bracket Assembly	White
	36521LP	Control Panel and Bracket Assembly	Almond
	36521QP	Control Panel and Bracket Assembly	Bisque
26	500226	Screw	Phillips head
	35528	Screw	Torx head; Optional for added security
27	91176	Washer	
28	81799	Water Temperature Switch	
29	32519	Light	Rinse or spin
	38281	Light	In-use

* Add Letter To Designate Color. L - Almond Q - Bisque W - White

N/A = Part no longer available

Control Panel, Control Hood and Controls (Drawing 12 of 18)

Models HWT211*N3020, SWT111*N3069 and SWT211*N3020



TLW1490P_39202

Control Panel, Control Hood and Controls (Drawing 12 of 18)

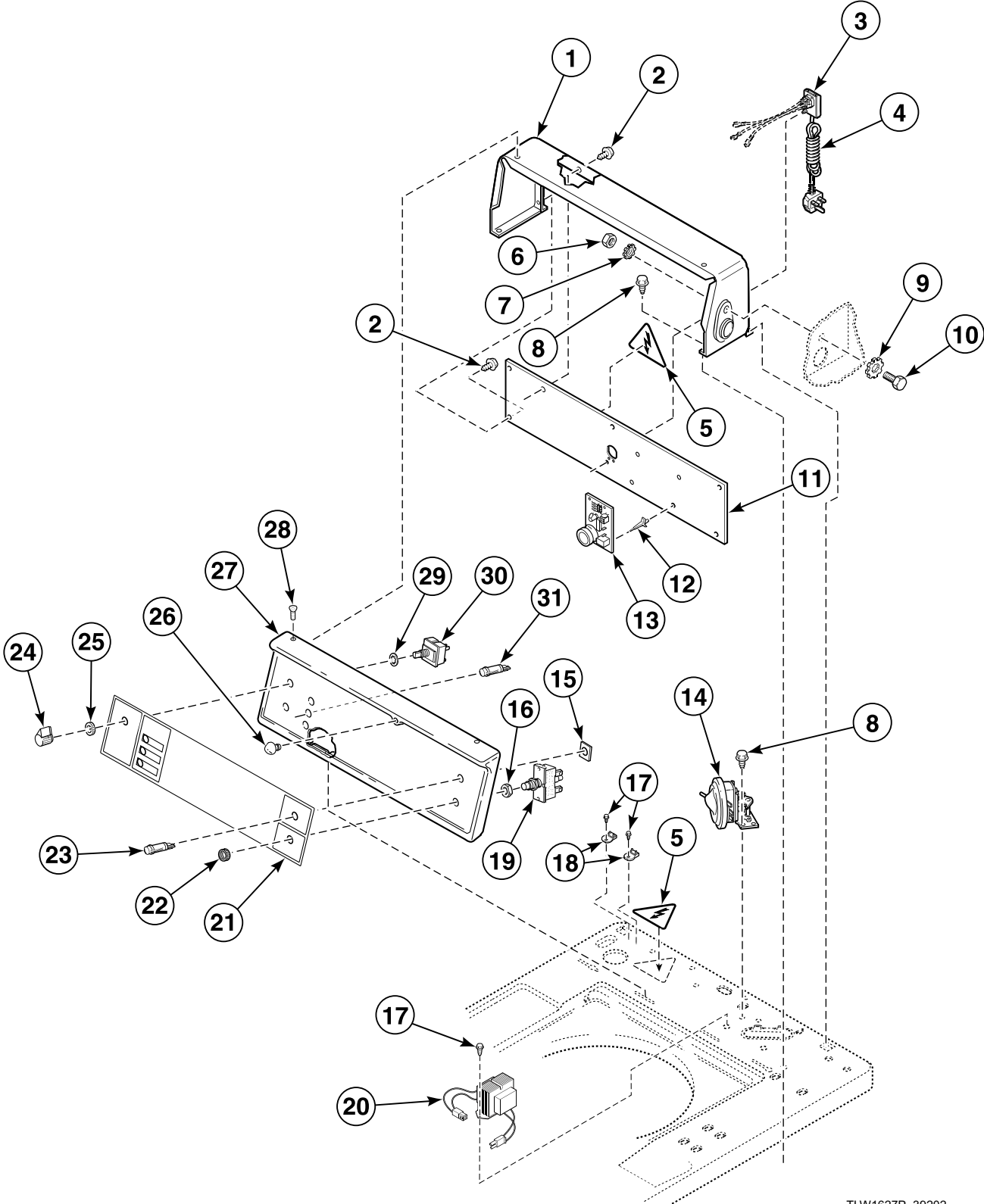
REF	PART NO.	DESCRIPTION	COMMENTS
1	37075W	Control Hood	White
	37075L	Control Hood	Almond
	37075Q	Control Hood	Bisque
2	23222	Screw	
3	39922	Cable Connection Box	
4	39925	Power Cord Assembly	Model SWT111*N3069
	39926	Lead-In Cord	All other models
5	502511	Electrical Shock Label	
6	52566	Nut	
7	02431	Washer	
8	23962	Screw	
9	M400017	Washer	
10	02916	Screw	
11	39920	Hood Back Panel	
12	501523	Circuit Board Support	Model SWT111*N3069
13	37225P	Control Lid Lock Assembly	Model SWT111*N3069
14	35889P	Pressure Switch	
15	34762	Push-on Clip	Model SWT111*N3069
16	52947	Nut	Model SWT111*N3069
17	55882	Switch Assembly	Model SWT111*N3069
18	N/A	Strain Relief	
19	201261	Graphic Overlay	Model SWT111*N3069
	201265	Control Panel Overlay	Model SWT211*N3020
	201268	Control Panel Overlay	Model HWT211*N3020
20	N/A	Nut	Model SWT111*N3069
21	39536	Lid Switch Indicator Light	Model SWT111*N3069
22	39897	Switch Knob	
23	24205	Nut	
24	32648	Control Panel Bumper	
	202006	Control Panel Bumper	Extra thick
25	36521WP	Control Panel and Bracket Assembly	White
	36521LP	Control Panel and Bracket Assembly	Almond
	36521QP	Control Panel and Bracket Assembly	Bisque
26	500226	Screw	Phillips head
	35528	Screw	Torx head; Optional for added security
27	91176	Washer	
28	81799	Water Temperature Switch	
29	32519	Light	Rinse or spin
	38281	Light	In-use

* Add Letter To Designate Color. L - Almond Q - Bisque W - White

N/A = Part no longer available

Control Panel, Control Hood and Controls (Drawing 13 of 18)

Models JWT910*N3069 and SWT911*N3069



TLW1627P_39202

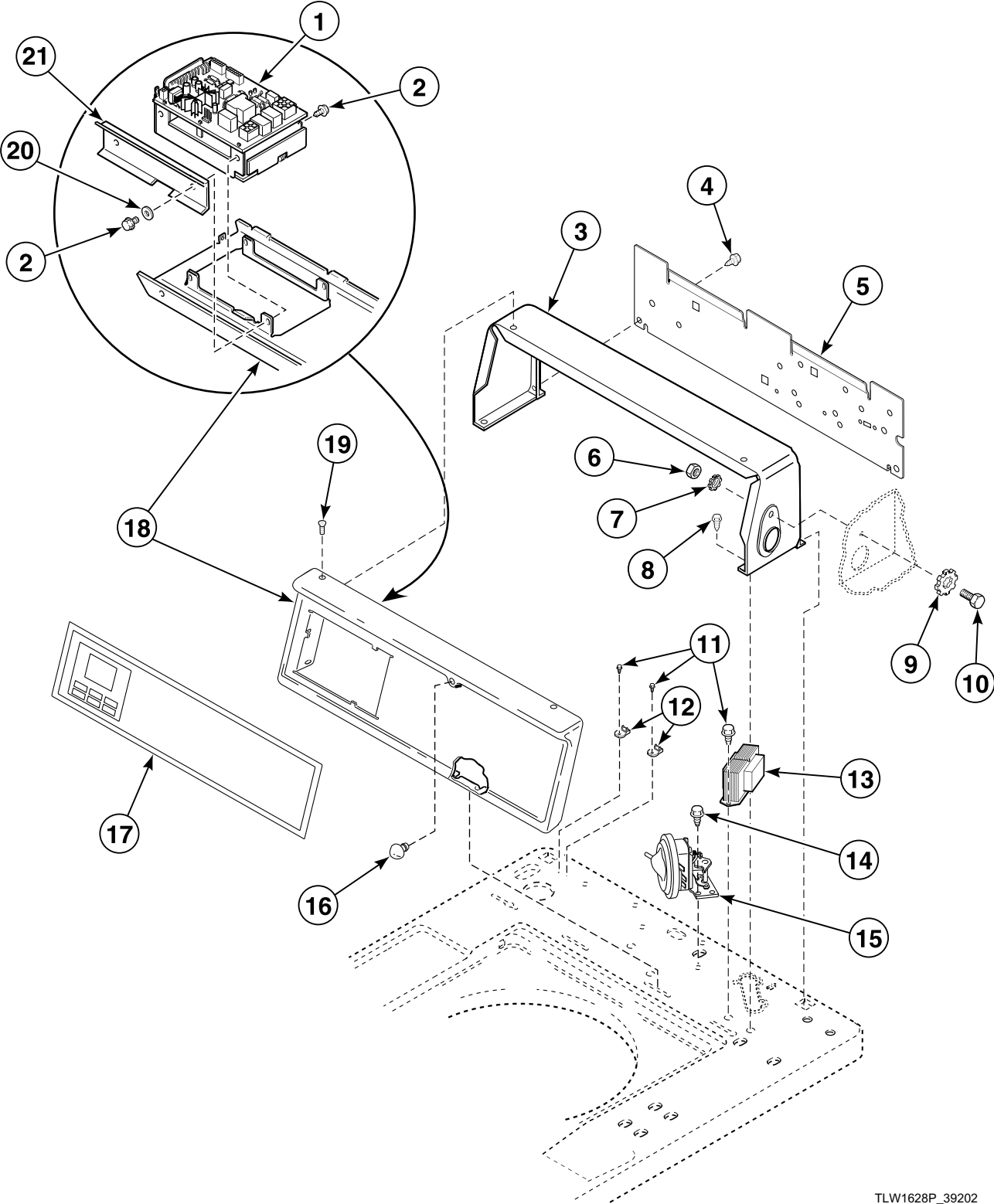
Control Panel, Control Hood and Controls (Drawing 13 of 18)

REF	PART NO.	DESCRIPTION	COMMENTS
1	37075W	Control Hood	White
	37075L	Control Hood	Almond
	37075Q	Control Hood	Bisque
2	23222	Screw	
3	39922	Cable Connection Box	
4	39925	Power Cord Assembly	
5	502511	Electrical Shock Label	
6	52566	Nut	
7	02431	Washer	
8	23962	Screw	
9	M400017	Washer	
10	02916	Screw	
11	39920	Hood Back Panel	
12	501523	Circuit Board Support	
13	37225P	Control Lid Lock Assembly	
14	35889P	Pressure Switch	
15	34762	Push-on Clip	
16	52947	Nut	
17	503661	Screw	
18	210100	Resistor	
19	55882	Switch Assembly	
20	201616	Transformer	
21	201673	Control Overlay	Model SWT911*N3069
	202022	Control Overlay	Model JWT910*N3069
22	52947	Nut	
23	39536	Lid Switch Indicator Light	
24	39897	Switch Knob	
25	24205	Nut	
26	32648	Control Panel Bumper	
	202006	Control Panel Bumper	Extra thick
27	36521WP	Control Panel and Bracket Assembly	White
	36521QP	Control Panel and Bracket Assembly	Bisque
28	500226	Screw	Phillips head
	35528	Screw	Torx head; Optional for added security
29	91176	Washer	
30	201686	Cycle Selector Switch	
31	801431	Light	

* Add Letter To Designate Color. L - Almond Q - Bisque W - White

Control Panel, Control Hood and Controls (Drawing 14 of 18)

Models HWTB21*M1102, HWTB21*N1102, HWTR21*N1102, HWTT21*N1102, HWTX21*M3022, HWTX21*N1102, HWTX21*N3022, HWTZ21*M1102, HWTZ21*N1102, SWTA21*M3022, SWTX21*M3000, SWTX21*M3022, SWTX21*N1127, SWTX21*N3000 and SWTX21*N3022



TLW1628P_39202

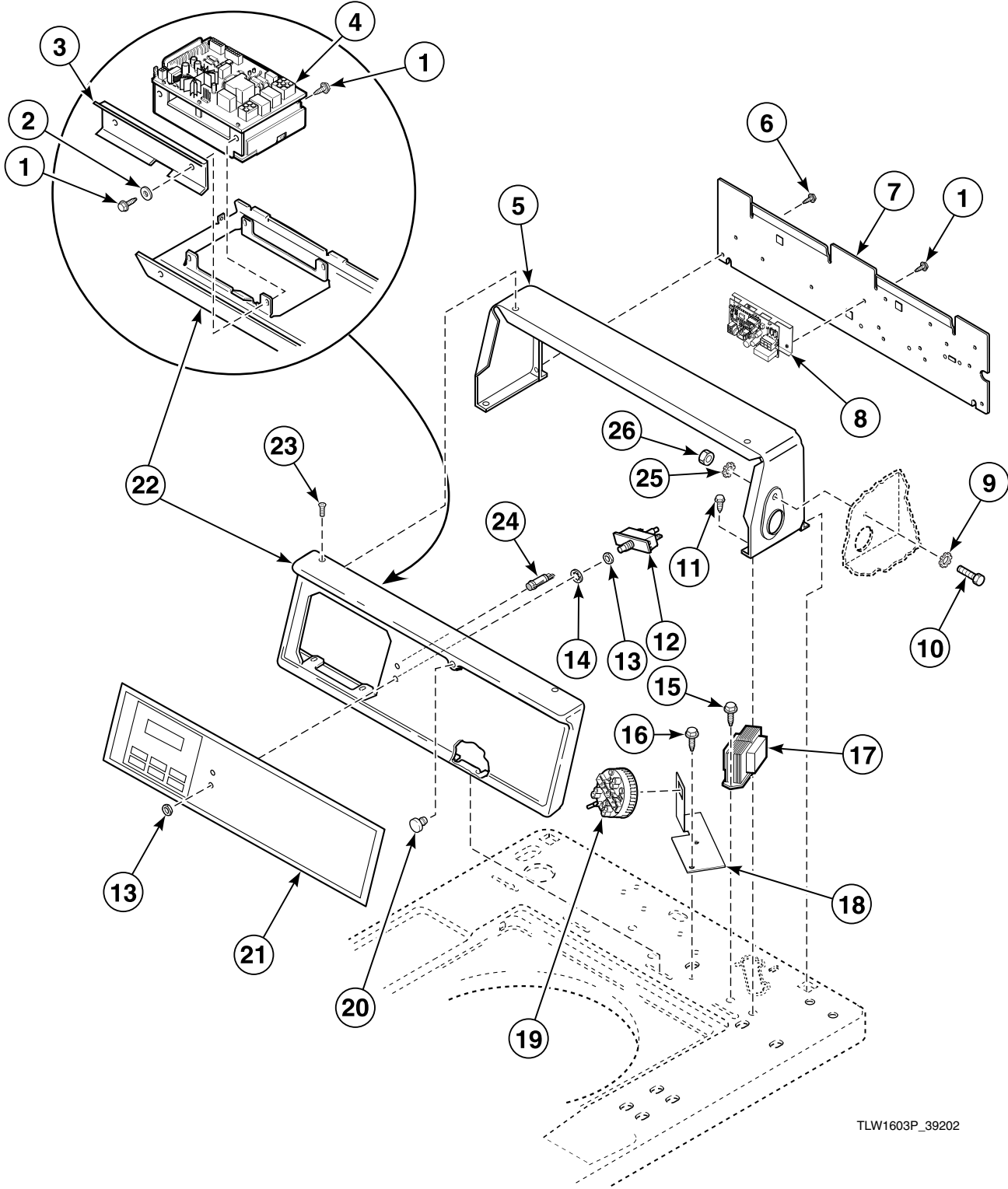
Control Panel, Control Hood and Controls (Drawing 14 of 18)

REF	PART NO.	DESCRIPTION	COMMENTS
1	200641P	Control Kit	Models HWTB21*M1102, HWTB21*N1102 and SWTA21*M3022
	201567P	Control Assembly	All other models
2	501524	Screw	
3	37075W	Control Hood	White
	37075L	Control Hood	Almond
	37075Q	Control Hood	Bisque
4	23222	Screw	
5	39920	Hood Back Panel	Models HWTX21*M3022 and HWTX21*N3022
	38267	Hood Back Panel	All other models
6	52566	Nut	
7	02431	Washer	
8	501086	Screw	
9	M400017	Washer	
10	02916	Screw	
11	503661	Screw	
12	210100	Resistor	Models HWTX21*M3022, HWTX21*N3022, SWTA21*M3022, SWTX21*M3000, SWTX21*M3022, SWTX21*N3000 and SWTX21*N3022
13	210018P	Transformer	Models HWTB21*M1102, HWTB21*N1102, HWTT21*N1102, HWTZ21*M1102 and HWTZ21*N1102
	210019P	Transformer	Models HWTX21*M3022, HWTX21*N3022, SWTA21*M3022, SWTX21*M3000, SWTX21*M3022, SWTX21*N3000 and SWTX21*N3022; Model HWTX21*N1102 through Serial No. 0408008368
	201375P	Transformer	Model HWTX21*N1102 starting Serial No. 0408008369; Models HWTR21*N1102 and SWTX21*N1127
14	23962	Screw	
15	35889P	Pressure Switch	
16	32648	Control Panel Bumper	
	202006	Control Panel Bumper	Extra thick
17	210138	Control Panel Overlay	Models HWTB21*M1102 and HWTB21*N1102
	210038	Control Panel Overlay	Model SWTA21*M3022
	200918	Overlay	Models SWTX21*M3000, SWTX21*M3022, SWTX21*N1127, SWTX21*N3000 and SWTX21*N3022
	200919	Overlay	Models HWTR21*N1102, HWTT21*N1102, HWTX21*M3022, HWTX21*N1102, HWTX21*N3022, HWTZ21*M1102 and HWTZ21*N1102
18	210042W	Control Panel Assembly	White
	210042L	Control Panel Assembly	Almond
	210042Q	Control Panel Assembly	Bisque
19	52864	Screw	
20	200608	Washer	
21	210053	Control Shield	

* Add Letter To Designate Color. L - Almond Q - Bisque W - White

Control Panel, Control Hood and Controls (Drawing 15 of 18)

Model HWLX21*N1102



TLW1603P_39202

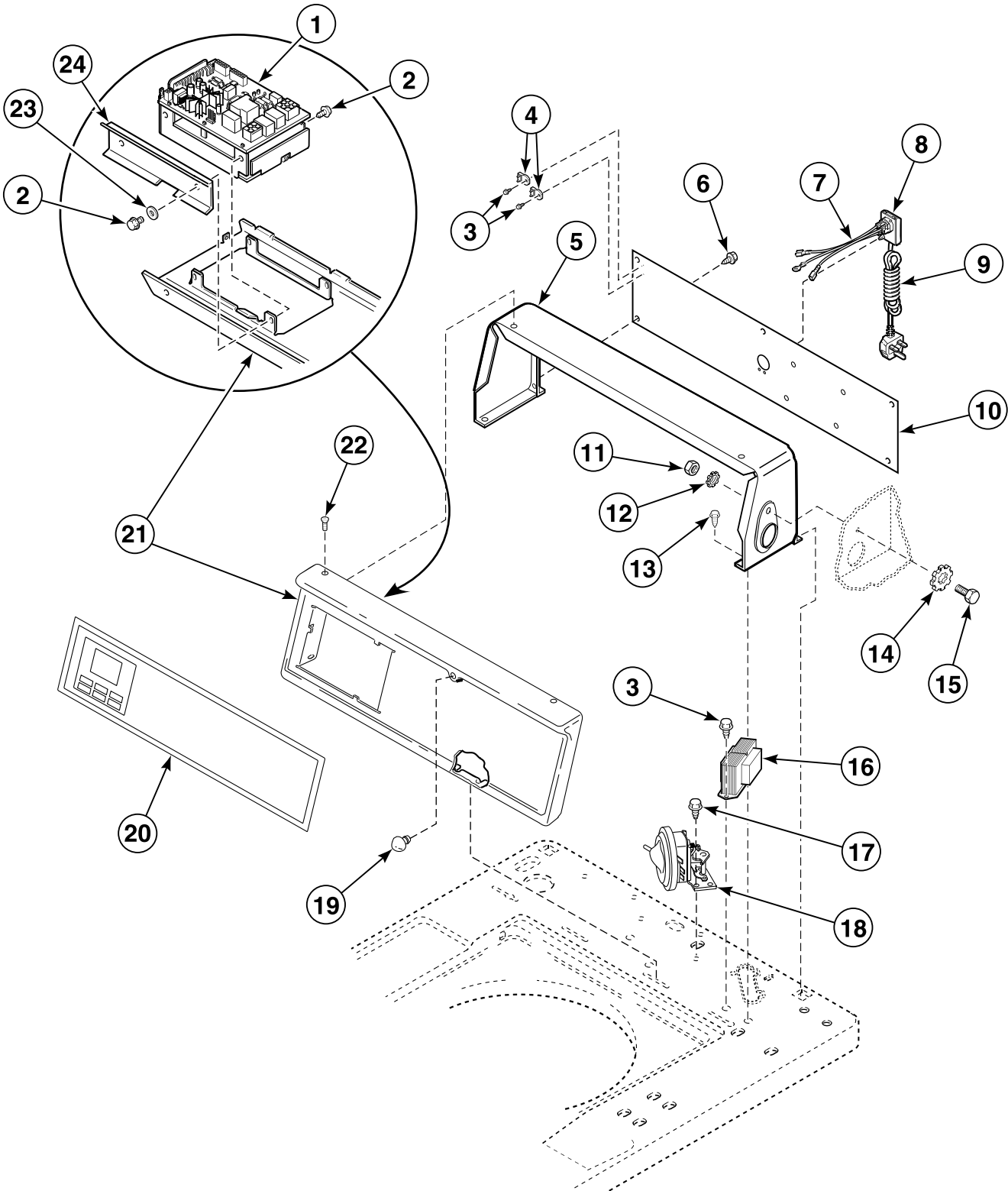
Control Panel, Control Hood and Controls (Drawing 15 of 18)

REF	PART NO.	DESCRIPTION	COMMENTS
1	501524	Screw	
2	200608	Washer	
3	210053	Control Shield	
4	202025P	Control Assembly	
5	37075W	Control Hood	White
	37075Q	Control Hood	Bisque
6	23222	Screw	
7	38267	Hood Back Panel	
8	201755P	Control Assembly	
9	M400017	Washer	
10	02916	Screw	
11	501086	Screw	
12	55882	Switch Assembly	
13	52947	Nut	
14	25820	Washer	
15	503661	Screw	
16	23962	Screw	
17	201375P	Transformer	
18	201789	Pressure Switch Bracket	
19	201997P	Pressure Switch	
20	32648	Control Panel Bumper	
	202006	Control Panel Bumper	Extra thick
21	201981	Control Panel Overlay	
22	201798W	Control Panel Assembly	White
	201798Q	Control Panel Assembly	Bisque
23	52864	Screw	Phillips head
	35528	Screw	Torx head
24	801431	Light	
25	02431	Washer	
26	52566	Nut	

* Add Letter To Designate Color. Q - Bisque W - White

Control Panel, Control Hood and Controls (Drawing 16 of 18)

Models SWTA21*M3050, SWTA21*N3050, SWTX21*M3050 and SWTX21*N3050



TLW1629P_39202

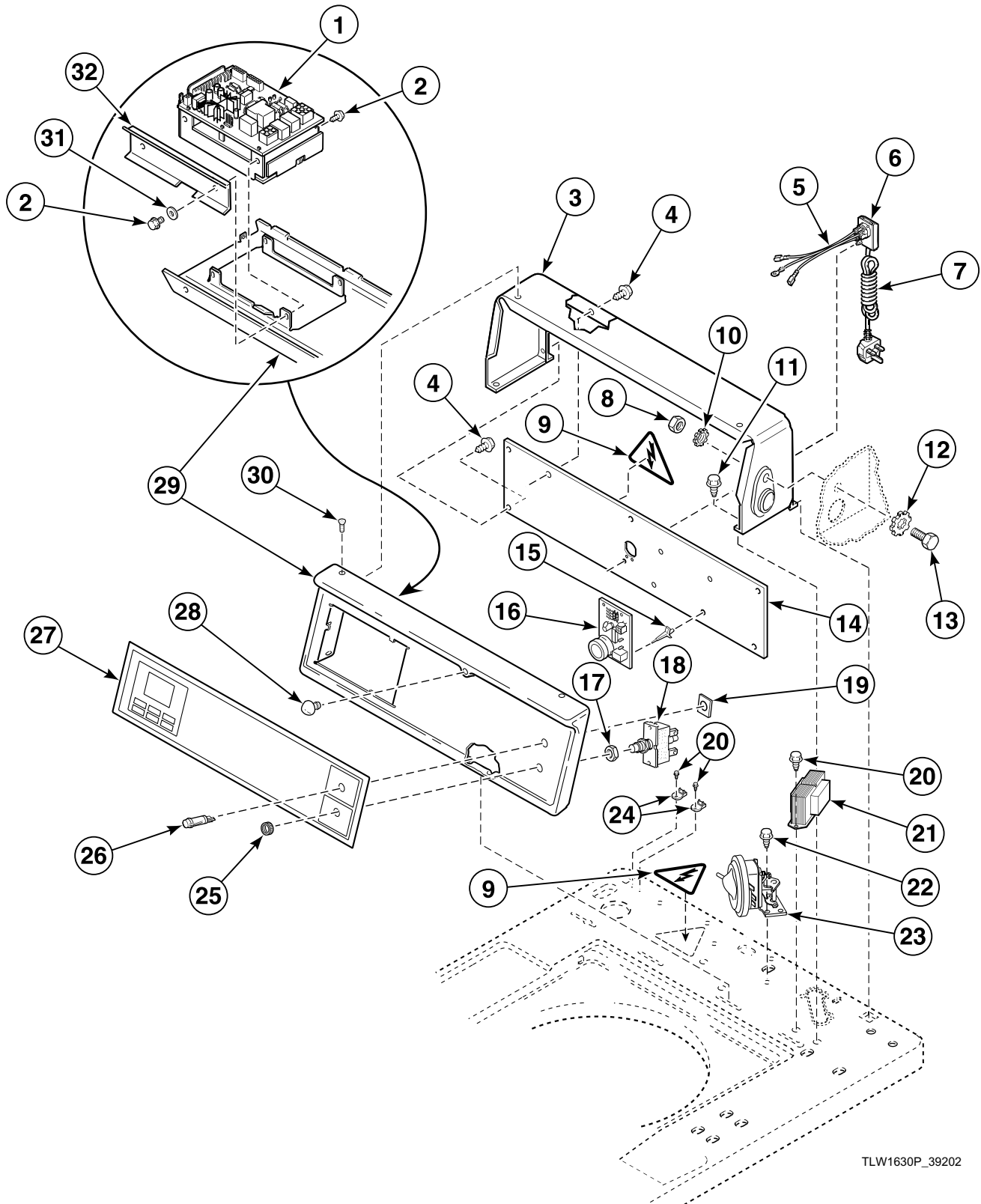
Control Panel, Control Hood and Controls (Drawing 16 of 18)

REF	PART NO.	DESCRIPTION	COMMENTS
1	200641P	Control Kit	Models SWTA21*M3050 and SWTA21*N3050
	201567P	Control Assembly	Models SWTX21*M3050 and SWTX21*N3050
2	501524	Screw	
3	503661	Screw	
4	210100	Resistor	
5	37075W	Control Hood	White
	37075L	Control Hood	Almond
	37075Q	Control Hood	Bisque
6	23222	Screw	
7	39923	Lead-In Wire Harness Assembly	
8	39922	Cable Connection Box	
9	39931	Power Cord Assembly	
10	39920	Hood Back Panel	
11	52566	Nut	
12	02431	Washer	
13	501086	Screw	
14	M400017	Washer	
15	02916	Screw	
16	210019P	Transformer	
17	23962	Screw	
18	35889P	Pressure Switch	
19	32648	Control Panel Bumper	
	202006	Control Panel Bumper	Extra thick
20	210038	Control Panel Overlay	Models SWTA21*M3050 and SWTA21*N3050
	200918	Overlay	Models SWTX21*M3050 and SWTX21*N3050
21	210042W	Control Panel Assembly	White
	210042L	Control Panel Assembly	Almond
	210042Q	Control Panel Assembly	Bisque
22	52864	Screw	
23	200608	Washer	
24	210053	Control Shield	

* Add Letter To Designate Color. L - Almond Q - Bisque W - White

Control Panel, Control Hood and Controls (Drawing 17 of 18)

Models HWTX21*M3020, HWTX21*N3020, SWTX21*M3020, SWTX21*M3069, SWTX21*N3020 and SWTX21*N3069



TLW1630P_39202

Control Panel, Control Hood and Controls (Drawing 17 of 18)

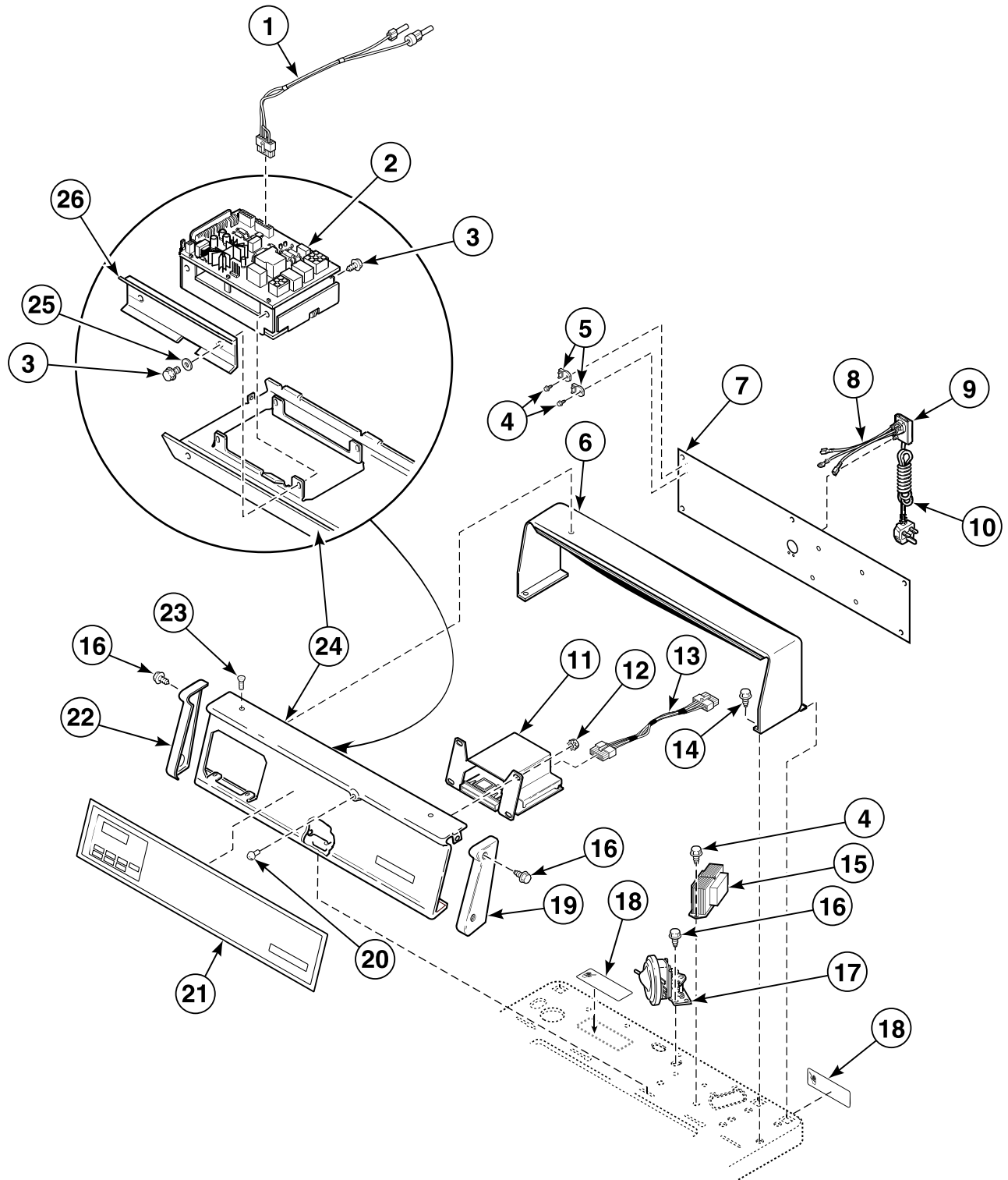
REF	PART NO.	DESCRIPTION	COMMENTS
1	201567P	Control Assembly	
2	501524	Screw	
3	37075W	Control Hood	White
	37075L	Control Hood	Almond
	37075Q	Control Hood	Bisque
4	23222	Screw	
5	39923	Lead-In Wire Harness Assembly	Models HWTX21*M3020, HWTX21*N3020, SWTX21*M3020 and SWTX21*N3020
6	39922	Cable Connection Box	
7	39925	Power Cord Assembly	Models SWTX21*M3069 and SWTX21*N3069
	39926	Lead-In Cord	All other models
8	52566	Nut	
9	502511	Electrical Shock Label	
10	02431	Washer	
11	501086	Screw	
12	M400017	Washer	
13	02916	Screw	
14	39920	Hood Back Panel	
15	501523	Circuit Board Support	Models SWTX21*M3069 and SWTX21*N3069
16	37225P	Control Lid Lock Assembly	Models SWTX21*M3069 and SWTX21*N3069
17	52947	Nut	Models SWTX21*M3069 and SWTX21*N3069
18	55882	Switch Assembly	Models SWTX21*M3069 and SWTX21*N3069
19	34762	Push-On Clip	Models SWTX21*M3069 and SWTX21*N3069
20	503661	Screw	
21	210019P	Transformer	
22	23962	Screw	
23	35889P	Pressure Switch	
24	210100	Resistor	
25	N/A	Nut	Models SWTX21*M3069 and SWTX21*N3069
26	39536	Lid Switch Indicator Light	Models SWTX21*M3069 and SWTX21*N3069
27	200984	Overlay	Models SWTX21*M3020 and SWTX21*N3020
	201016	Overlay	Models SWTX21*M3069 and SWTX21*N3069
	201090	Overlay	Models HWTX21*M3020 and HWTX21*N3020
28	32648	Control Panel Bumper	
	202006	Control Panel Bumper	Extra thick
29	201017W	Control Panel	White; Models SWTX21*M3069 and SWTX21*N3069
	201017L	Control Panel	Almond; Models SWTX21*M3069 and SWTX21*N3069
	201017Q	Control Panel	Bisque; Models SWTX21*M3069 and SWTX21*N3069
	210042W	Control Panel Assembly	White; Models HWTX21*M3020, HWTX21*N3020, SWTX21*M3020 and SWTX21*N3020
	210042L	Control Panel Assembly	Almond; Models HWTX21*M3020, HWTX21*N3020, SWTX21*M3020 and SWTX21*N3020
	210042Q	Control Panel Assembly	Bisque; Models HWTX21*M3020, HWTX21*N3020, SWTX21*M3020 and SWTX21*N3020
30	52864	Screw	
31	200608	Washer	
32	210053	Control Shield	

* Add Letter To Designate Color. L - Almond Q - Bisque W - White

N/A = Part no longer available

Control Panel, Control Hood and Controls (Drawing 18 of 18)

Models HWTF21*M1102, HWTF21*N1102, HWTY21*M1102, HWTY21*N1102, SWTF21*M3050 and SWTF21*N3050



TLW1631P_39202

Control Panel, Control Hood and Controls (Drawing 18 of 18)

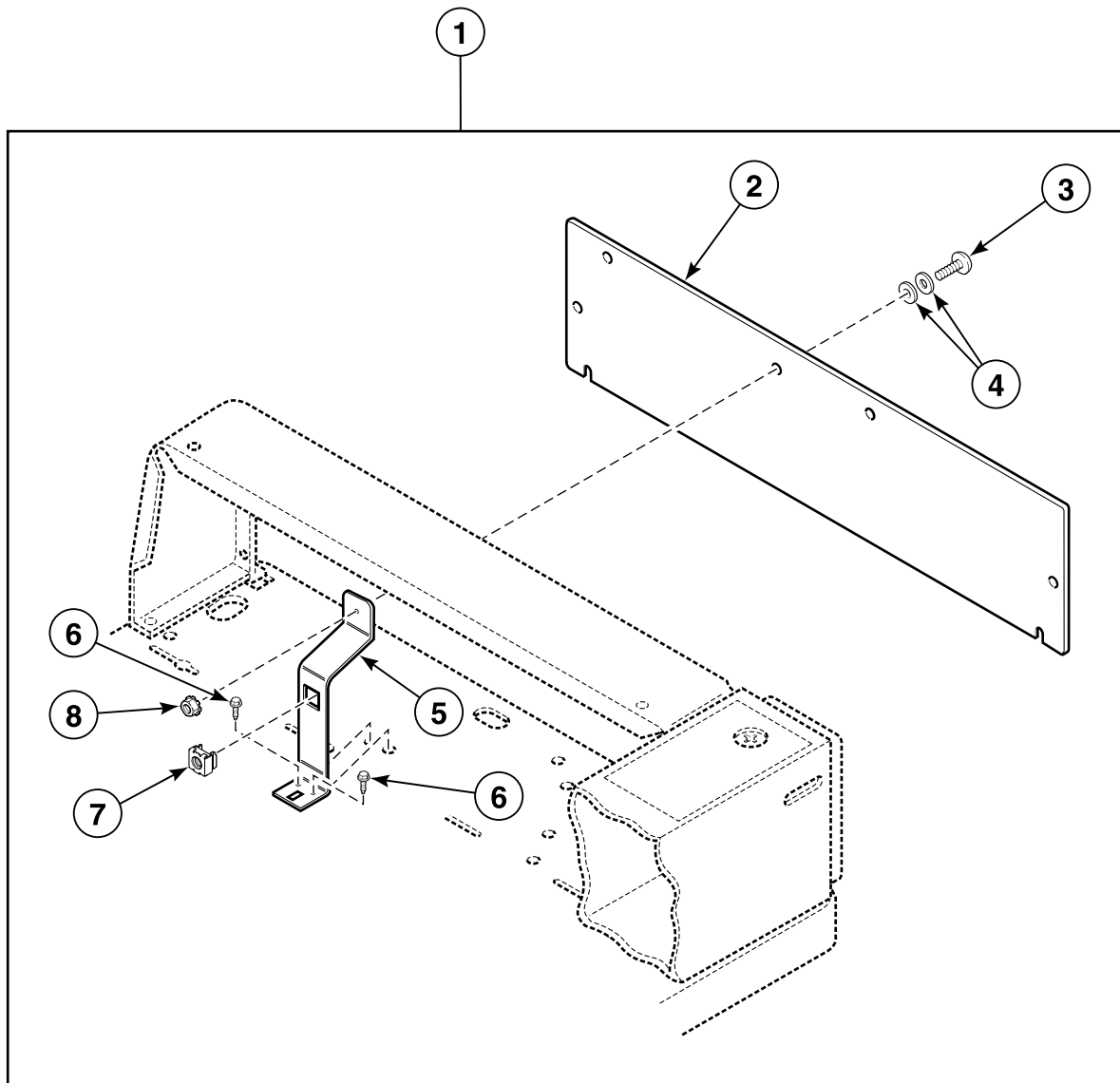
REF	PART NO.	DESCRIPTION	COMMENTS
1	800680	Diagnostic Wire Harness Assembly	
2	201567P	Control Assembly	Models HWTY21*M1102 and HWTY21*N1102
	200641P	Control Kit	All other models
3	501524	Screw	
4	503661	Screw	
5	210100	Resistor	Models SWTF21*M3050 and SWTF21*N3050
6	210142W	Control Hood	White
	210142L	Control Hood	Almond
	210142Q	Control Hood	Bisque
7	210143	Rear Panel	Models HWTF21*M1102 and HWTF21*N1102
	N/A	Hood Rear Panel	Models SWTF21*M3050 and SWTF21*N3050
8	39923	Lead-In Wire Harness Assembly	Models SWTF21*M3050 and SWTF21*N3050
9	39922	Cable Connection Box	Models SWTF21*M3050 and SWTF21*N3050
10	39931	Power Cord Assembly	Models SWTF21*M3050 and SWTF21*N3050
11	210045P	Card Reader Assembly	
12	70054	Nut	
13	800125P	Card Reader Wire Harness Assembly	Models HWTF21*M1102, HWTF21*N1102, SWTF21*M3050 and SWTF21*N3050
14	501086	Screw	
15	210018P	Transformer	Models HWTF21*M1102 and HWTF21*N1102
	210019P	Transformer	Models HWTY21*M1102, SWTF21*M3050 and SWTF21*N3050; Model HWTY21*N1102 through Serial No. 0408008368
	201375P	Transformer	Model HWTY21*N1102 starting Serial No. 0408008369
16	501086	Screw	
17	35889P	Pressure Switch	
18	500316	Warning Label	
19	210108W	End Cap	Right
20	32648	Control Panel Bumper	
	202006	Control Panel Bumper	Extra thick
21	210139	Control Panel Overlay	Model HWTF21*M1102
	210069	Control Panel Overlay	Models SWTF21*M3050 and SWTF21*N3050
	201007	Control Panel Overlay	Models HWTY21*M1102 and HWTY21*N1102
22	210109W	End Cap	Left
23	52864	Screw	
24	210137W	Control Panel Assembly	White
	210137L	Control Panel Assembly	Almond
	210137Q	Control Panel Assembly	Bisque
25	200608	Washer	
26	210053	Control Shield	

* Add Letter To Designate Color. L - Almond Q - Bisque W - White

N/A = Part no longer available

Control Hood Security Kit

Models HWLX21*N1102, HWTB21*M1102, HWTB21*N1102, HWTR21*N1102, HWTT21*N1102, HWTX21*M3022, HWTX21*N1102, HWTX21*N3022, HWTZ21*M1102, HWTZ21*N1102, SWTA21*M3022, SWTX21*M3000, SWTX21*M3022, SWTX21*N1127, SWTX21*N3000 and SWTX21*N3022



FLW963P_39202

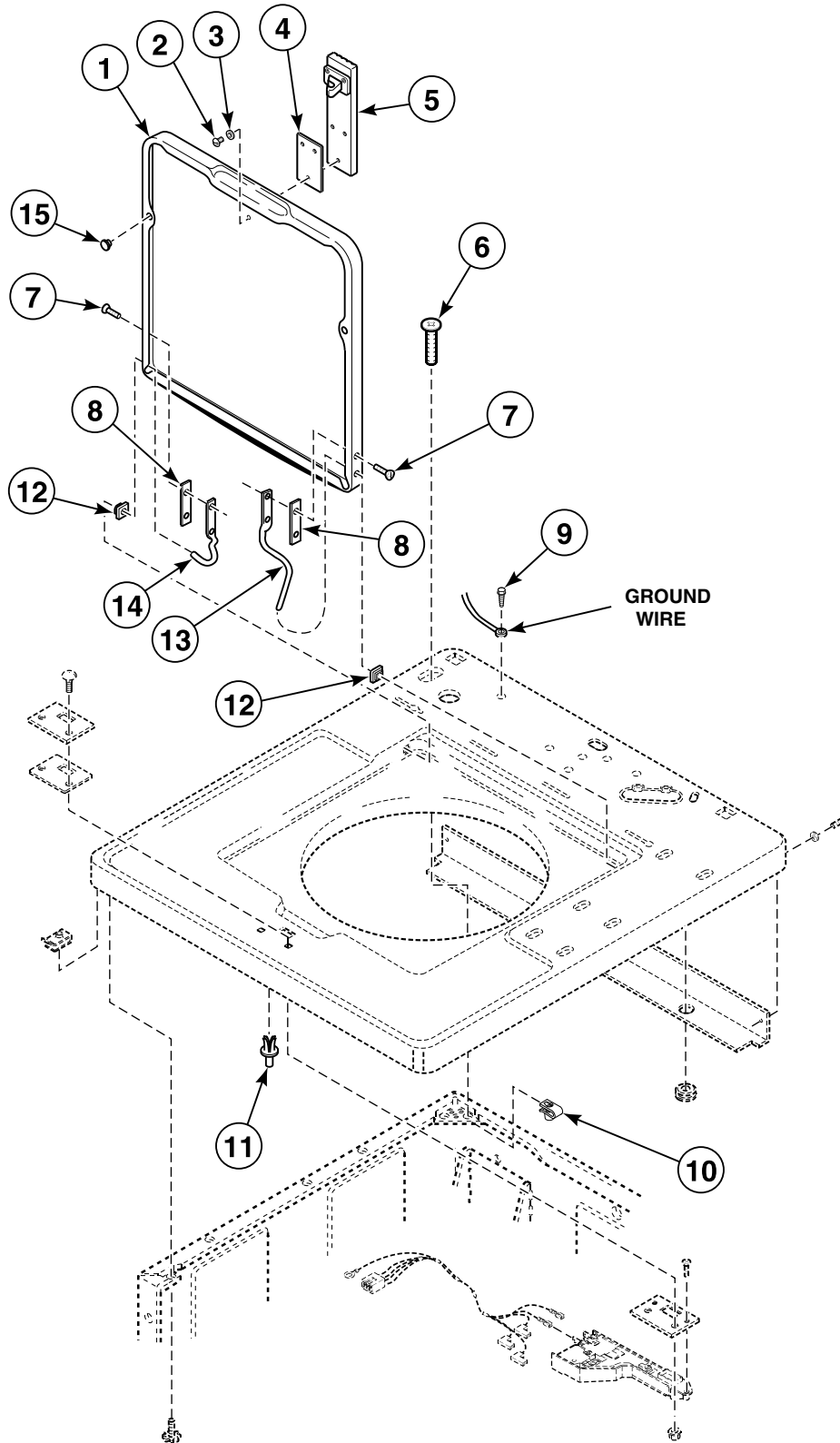
Control Hood Security Kit

REF	PART NO.	DESCRIPTION	COMMENTS
1	904P3	Security Kit	Includes items 2-8
2	201919	Rear Panel	
3	32184	Bolt	
4	25100	Washer	
5	201918	Bracket	
6	503688	Screw	
7	30647	Nut	
8	23951	Nut	

* Add Letter To Designate Color. L - Almond Q - Bisque W - White

Lid and Lid Lock

Models HWT011*B3073, HWT111*B3069, HWT211*B3020, HWT211*M3020, HWT211*N3020, HWT911*N3020, HWTX21*M3020, HWTX21*N3020, JWT810*N3020, JWT910*N3020, JWT910*N3069, SWT111*B3069, SWT111*M3069, SWT111*N3069, SWT211*A3020, SWT211*B3020, SWT211*M3020, SWT211*N3020, SWT911*N3020, SWT911*N3069, SWTX21*M3020, SWTX21*M3069, SWTX21*N3020 and SWTX21*N3069



TLW1551P_39202

Lid and Lid Lock

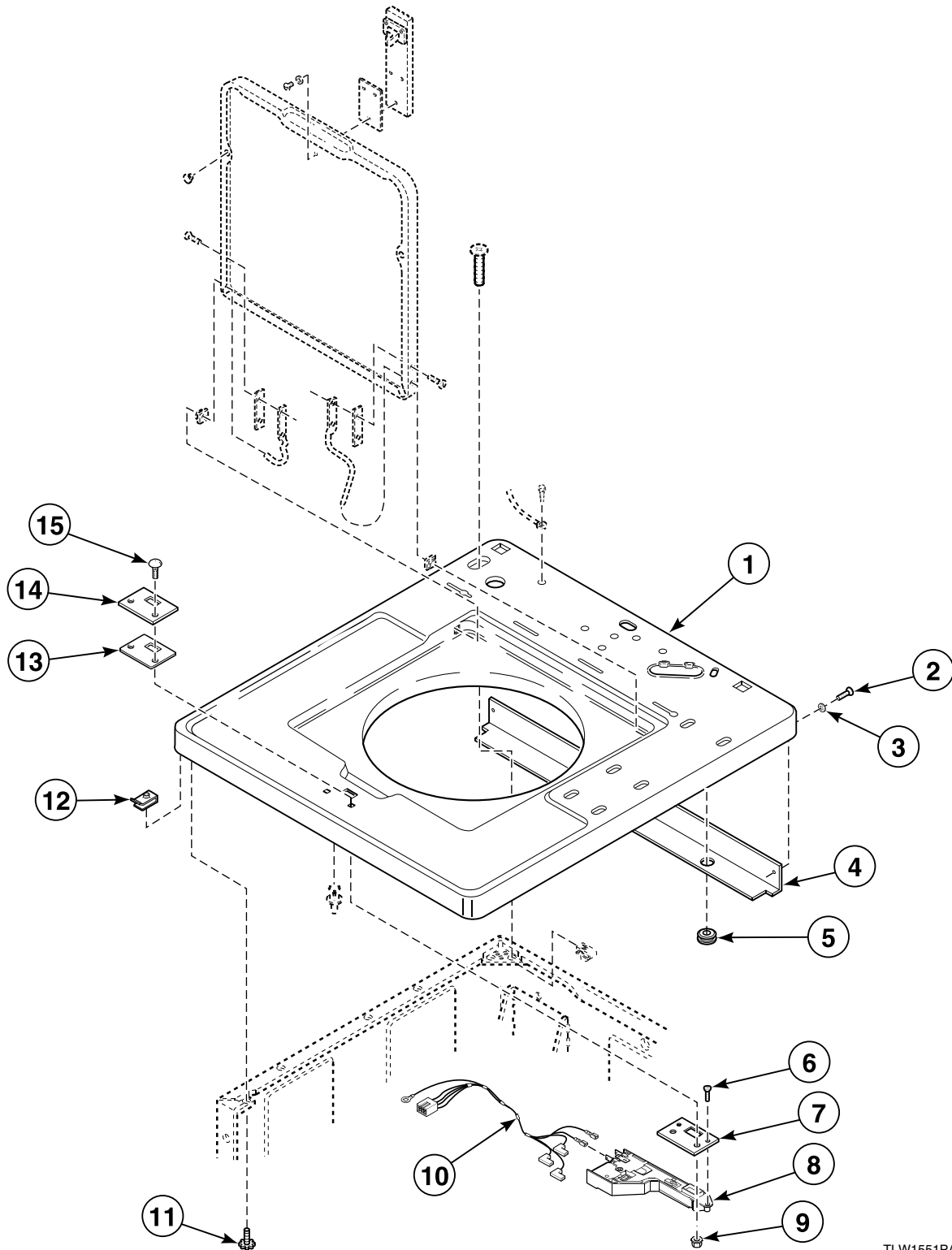
REF	PART NO.	DESCRIPTION	COMMENTS
	837P3	Lid Lock Kit	Includes item 5, 201310 Lid Lock and 201353 Screw; Models HWT011*B3073, HWT111*B3069, JWT910*N3069, SWT111*B3069, SWT111*M3069, SWT111*N3069, SWT911*N3069, SWTX21*M3069 and SWTX21*N3069
1	200891W	Lid	White; Models HWT911*N3020, HWTX21*M3020, HWTX21*N3020, JWT810*N3020, JWT910*N3020, SWT911*N3020, SWTX21*M3020 and SWTX21*N3020
	200891L	Lid	Almond; Models HWT911*N3020, HWTX21*M3020, HWTX21*N3020, JWT810*N3020, JWT910*N3020, SWT911*N3020, SWTX21*M3020 and SWTX21*N3020
	200891Q	Lid	Bisque; Models HWT911*N3020, HWTX21*M3020, HWTX21*N3020, JWT810*N3020, JWT910*N3020, SWT911*N3020, SWTX21*M3020 and SWTX21*N3020
	200892WP	Lid	White; Models HWT011*B3073, HWT111*B3069, JWT910*N3069, SWT111*B3069, SWT111*M3069, SWT111*N3069, SWT911*N3069, SWTX21*M3069 and SWTX21*N3069
	200892LP	Lid	Almond; Models HWT011*B3073, HWT111*B3069, JWT910*N3069, SWT111*B3069, SWT111*M3069, SWT111*N3069, SWT911*N3069, SWTX21*M3069 and SWTX21*N3069
	200892QP	Lid	Bisque; Models HWT011*B3073, HWT111*B3069, JWT910*N3069, SWT111*B3069, SWT111*M3069, SWT111*N3069, SWT911*N3069, SWTX21*M3069 and SWTX21*N3069
	201460WP	Lid	White; Models HWT211*B3020, HWT211*M3020, HWT211*N3020, SWT211*A3020, SWT211*B3020, SWT211*M3020 and SWT211*N3020
	201460LP	Lid and Carton Assembly	Almond; Models HWT211*B3020, HWT211*M3020, HWT211*N3020, SWT211*A3020, SWT211*B3020, SWT211*M3020 and SWT211*N3020
	201460QP	Lid and Carton Assembly	Bisque; Models HWT211*B3020, HWT211*M3020, HWT211*N3020, SWT211*A3020, SWT211*B3020, SWT211*M3020 and SWT211*N3020
2	Q6695	Screw	Use with old latch; Models HWT011*B3073, HWT111*B3069, SWT111*B3069, SWT111*M3069, SWT111*N3069, SWTX21*M3069 and SWTX21*N3069
3	N/A	Washer	Use with old latch; Models HWT011*B3073, HWT111*B3069, SWT111*B3069, SWT111*M3069, SWT111*N3069, SWTX21*M3069 and SWTX21*N3069
4	29677	Door Latch Gasket	Use with old latch; Models HWT011*B3073, HWT111*B3069, SWT111*B3069, SWT111*M3069, SWT111*N3069, SWTX21*M3069 and SWTX21*N3069
	201414	Door Lock Spacer	Models HWT011*B3073, HWT111*B3069, JWT910*N3069, SWT111*B3069, SWT111*M3069, SWT111*N3069, SWT911*N3069, SWTX21*M3069 and SWTX21*N3069
5	201307	Lid Lock Catch Assembly	Includes item 4 and attaching hardware; Models HWT011*B3073, HWT111*B3069, JWT910*N3069, SWT111*B3069, SWT111*M3069, SWT111*N3069, SWT911*N3069, SWTX21*M3069 and SWTX21*N3069
6	503673	Screw	Optional; For added security
7	34337	Screw	
8	34338	Hinge Gasket	
9	52909	Screw	
10	27222	Nut	Optional; For added security
11	56534	Support Barrel	
12	33446	Bushing	
13	36437	Lid Hinge	Right
14	36438	Lid Hinge	Left
15	21685	Bumper	

* Add Letter To Designate Color. L - Almond Q - Bisque W - White

N/A = Part no longer available

Top Assembly and Shield

Models HWT011*B3073, HWT111*B3069, HWT211*B3020, HWT211*M3020, HWT211*N3020, HWT911*N3020, HWTX21*M3020, HWTX21*N3020, JWT810*N3020, JWT910*N3020, JWT910*N3069, SWT111*B3069, SWT111*M3069, SWT111*N3069, SWT211*A3020, SWT211*B3020, SWT211*M3020, SWT211*N3020, SWT911*N3020, SWT911*N3069, SWTX21*M3020, SWTX21*M3069, SWTX21*N3020 and SWTX21*N3069



TLW1551PA_39202

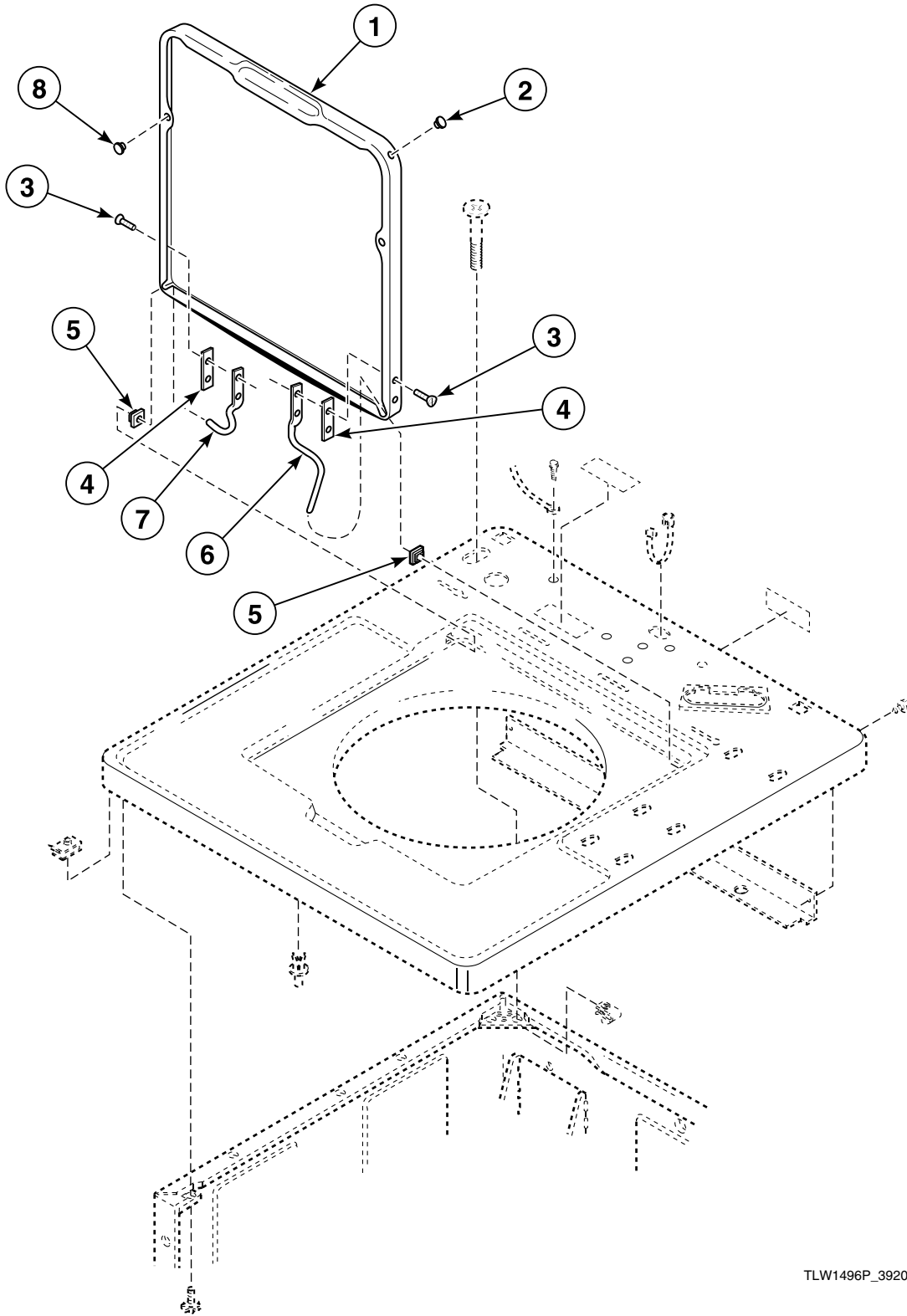
Top Assembly and Shield

REF	PART NO.	DESCRIPTION	COMMENTS
	837P3	Lid Lock Kit	Includes items 6, 8 and 201414 Door Lock Spacer; Models HWT011*B3073, HWT111*B3069, JWT910*N3069, SWT111*B3069, SWT111*M3069, SWT111*N3069, SWT911*N3069, SWTX21*M3069 and SWTX21*N3069
1	39184WP	Top Assembly	White; Models HWT111*B3069, JWT910*N3069, SWT111*B3069, SWT111*M3069, SWT111*N3069, SWT911*N3069, SWTX21*M3069 and SWTX21*N3069
	39184LP	Top Assembly	Almond; Models HWT111*B3069, JWT910*N3069, SWT111*B3069, SWT111*M3069, SWT111*N3069, SWT911*N3069, SWTX21*M3069 and SWTX21*N3069
	39184QP	Top Assembly	Bisque; Models HWT111*B3069, JWT910*N3069, SWT111*B3069, SWT111*M3069, SWT111*N3069, SWT911*N3069, SWTX21*M3069 and SWTX21*N3069
	39339W	Top Assembly	White; Models HWT211*B3020, HWT211*M3020, HWT211*N3020, HWT911*N3020, HWTX21*M3020, HWTX21*N3020, JWT910*N3020, SWT211*A3020, SWT211*B3020, SWT211*M3020, SWT211*N3020, SWT911*N3020, SWTX21*M3020 and SWTX21*N3020
	39339Q	Top Assembly	Bisque; Models HWT211*B3020, HWT211*M3020, HWT211*N3020, HWT911*N3020, HWTX21*M3020, HWTX21*N3020, JWT910*N3020, SWT211*A3020, SWT211*B3020, SWT211*M3020, SWT211*N3020, SWT911*N3020, SWTX21*M3020 and SWTX21*N3020
	39185WP	Top Assembly	White; Model HWT011*B3073
	39185LP	Top Assembly	Almond; Model HWT011*B3073
	39185QP	Top Assembly	Bisque; Model HWT011*B3073
	210173WP	Top Assembly	White; Model JWT810*N3020
	210173QP	Top Assembly	Bisque; Model JWT810*N3020
2	35527	Screw	
3	39249	Washer	
4	39744	Top Shield	
5	80262	Grommet	
6	22649	Screw	Use with old lock; Models HWT011*B3073, HWT111*B3069, SWT111*B3069, SWT111*M3069, SWT111*N3069, SWTX21*M3069 and SWTX21*N3069
	201353	Screw	Models HWT011*B3073, HWT111*B3069, JWT910*N3069, SWT111*B3069, SWT111*M3069, SWT111*N3069, SWT911*N3069, SWTX21*M3069 and SWTX21*N3069
7	29676	Switch Mounting Plate	Models HWT011*B3073, HWT111*B3069, JWT910*N3069, SWT111*B3069, SWT111*M3069, SWT111*N3069, SWT911*N3069, SWTX21*M3069 and SWTX21*N3069
8	201310	Lid Lock	Models HWT011*B3073, HWT111*B3069, JWT910*N3069, SWT111*B3069, SWT111*M3069, SWT111*N3069, SWT911*N3069, SWTX21*M3069 and SWTX21*N3069
9	22001	Nut	
10	31973	Lid Lock Wire Harness Assembly	Models HWT111*B3069, JWT910*N3069, SWT111*B3069, SWT111*M3069, SWT111*N3069, SWT911*N3069, SWTX21*M3069 and SWTX21*N3069
11	23008	Screw	
12	36020	Nut	
13	30378	Lid Lock Gasket	Models HWT011*B3073, HWT111*B3069, JWT910*N3069, SWT111*B3069, SWT111*M3069, SWT111*N3069, SWT911*N3069, SWTX21*M3069 and SWTX21*N3069
14	37828P	Cover Plate	Models HWT011*B3073, HWT111*B3069, JWT910*N3069, SWT111*B3069, SWT111*M3069, SWT111*N3069, SWT911*N3069, SWTX21*M3069 and SWTX21*N3069
15	32184	Bolt	Models HWT011*B3073, HWT111*B3069, JWT910*N3069, SWT111*B3069, SWT111*M3069, SWT111*N3069, SWT911*N3069, SWTX21*M3069 and SWTX21*N3069

* Add Letter To Designate Color. L - Almond Q - Bisque W - White

Lid

All Models Except HWT011*B3073, HWT111*B3069, HWT211*B3020, HWT211*M3020, HWT211*N3020, HWT911*N3020, HWTX21*M3020, HWTX21*N3020, JWT810*N3020, JWT910*N3020, JWT910*N3069, SWT111*B3069, SWT111*M3069, SWT111*N3069, SWT211*A3020, SWT211*B3020, SWT211*M3020, SWT211*N3020, SWT911*N3020, SWT911*N3069, SWTX21*M3020, SWTX21*M3069, SWTX21*N3020 and SWTX21*N3069



TLW1496P_39202

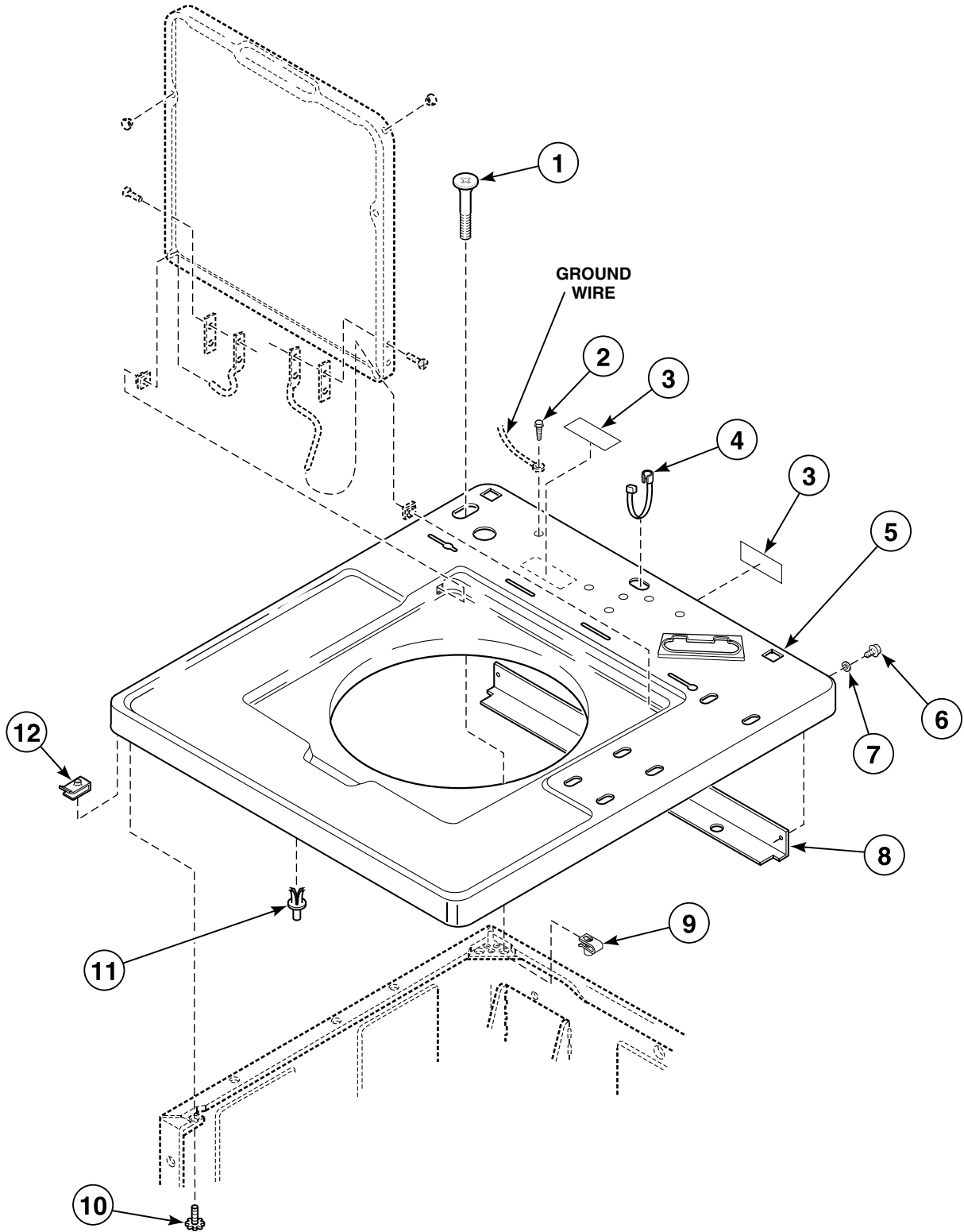
Lid

REF	PART NO.	DESCRIPTION	COMMENTS
1	200891W	Lid	White; Model SWT911*N3028 starting serial nos. beginning 0804; Models HWTX21*M3022 and HWTX21*N3022
	200891L	Lid	Almond; Model SWT911*N3028 starting serial nos. beginning 0804; Models HWTX21*M3022 and HWTX21*N3022
	200891Q	Lid	Bisque; Model SWT911*N3028 starting serial nos. beginning 0804; Models HWTX21*M3022 and HWTX21*N3022
	201460WP	Lid	White; Models HWT111*A3000, HWT111*C3000, HWT111*M3000, HWT211*A3000, HWT211*C3000, HWT211*M3000, HWT220*M3020, HWT221*N1127, SWT011*A3000, SWT011*A3022, SWT011*A3028, SWT011*A3050, SWT011*A3062, SWT011*M3000, SWT011*M3022, SWT011*M3050, SWT011*N3000, SWT011*N3022, SWT011*N3028, SWT011*N3050, SWT011*N3062, SWT111*A1200, SWT111*A1300, SWT111*A3000, SWT111*A3022, SWT111*A3028, SWT111*A3050, SWT111*A5412, SWT111*M1200, SWT111*M1300, SWT111*M3000, SWT111*M3022, SWT111*M3050, SWT111*M5412, SWT111*N3000, SWT111*N3022, SWT111*N3028, SWT111*N3050, SWT111*N5412, SWT111*N5417, SWT121*A3000, SWT121*M3000, SWT211*A1200, SWT211*A1300, SWT211*A3000, SWT211*A3062, SWT211*M3000, SWT211*M3022, SWT211*N3000, SWT211*N3022, SWT211*N3050, SWT211*N3062, SWT421*A3000, SWT421*A3022, SWT421*A3028, SWT421*A3050, SWT421*M3000, SWT421*M3022, SWTA21*M3022, SWTA21*M3050, SWTA21*N3050, SWTF21*M3050, SWTF21*N3050, SWTX21*M3022, SWTX21*N1127, SWTX21*N3022, UWT011*A3022, UWT011*A3025 and UWT011*M3022
	201460LP	Lid and Carton Assembly	Almond; Refer to models above
	201460QP	Lid and Carton Assembly	Bisque; Refer to models above
	201760W	Lid	White; Model SWT911*N3028 through serial nos. beginning 0804; Models HWT921*N1127, JWT810*N3050, JWT810*N5400, JWT910*N3050, SWT811*N3000, SWT811*N3022, SWT811*N3050, SWT811*N3062, SWT910*N3050, SWT911*N3000, SWT911*N3022, SWT911*N3050, SWT911*N3062 and SWT911*N5412
	201760Q	Lid	Bisque; Model SWT911*N3028 through serial nos. beginning 0804; Models HWT921*N1127, JWT810*N3050, JWT810*N5400, JWT910*N3050, SWT811*N3000, SWT811*N3022, SWT811*N3050, SWT811*N3062, SWT910*N3050, SWT911*N3000, SWT911*N3022, SWT911*N3050, SWT911*N3062 and SWT911*N5412
	201761W	Lid	White; Models BWT820*N1102, BWT920*N1102, HWT821*N1102, HWT911*N1102 and HWT921*N1102
	201761Q	Lid	Bisque; Models BWT820*N1102, BWT920*N1102, HWT821*N1102, HWT911*N1102 and HWT921*N1102
	201461WP	Lid	All other models
2	34153	Lid Plug	
3	34337	Screw	
4	34338	Hinge Gasket	
5	33446	Bushing	
6	36437	Lid Hinge	Right
7	36438	Lid Hinge	Left
8	21685	Bumper	

* Add Letter To Designate Color. L - Almond Q - Bisque W - White

Top Assembly

All Models Except HWT011*B3073, HWT111*B3069, HWT211*B3020, HWT211*M3020, HWT211*N3020, HWT911*N3020, HWTX21*M3020, HWTX21*N3020, JWT810*N3020, JWT910*N3020, JWT910*N3069, SWT111*B3069, SWT111*M3069, SWT111*N3069, SWT211*A3020, SWT211*B3020, SWT211*M3020, SWT211*N3020, SWT911*N3020, SWT911*N3069, SWTX21*M3020, SWTX21*M3069, SWTX21*N3020 and SWTX21*N3069



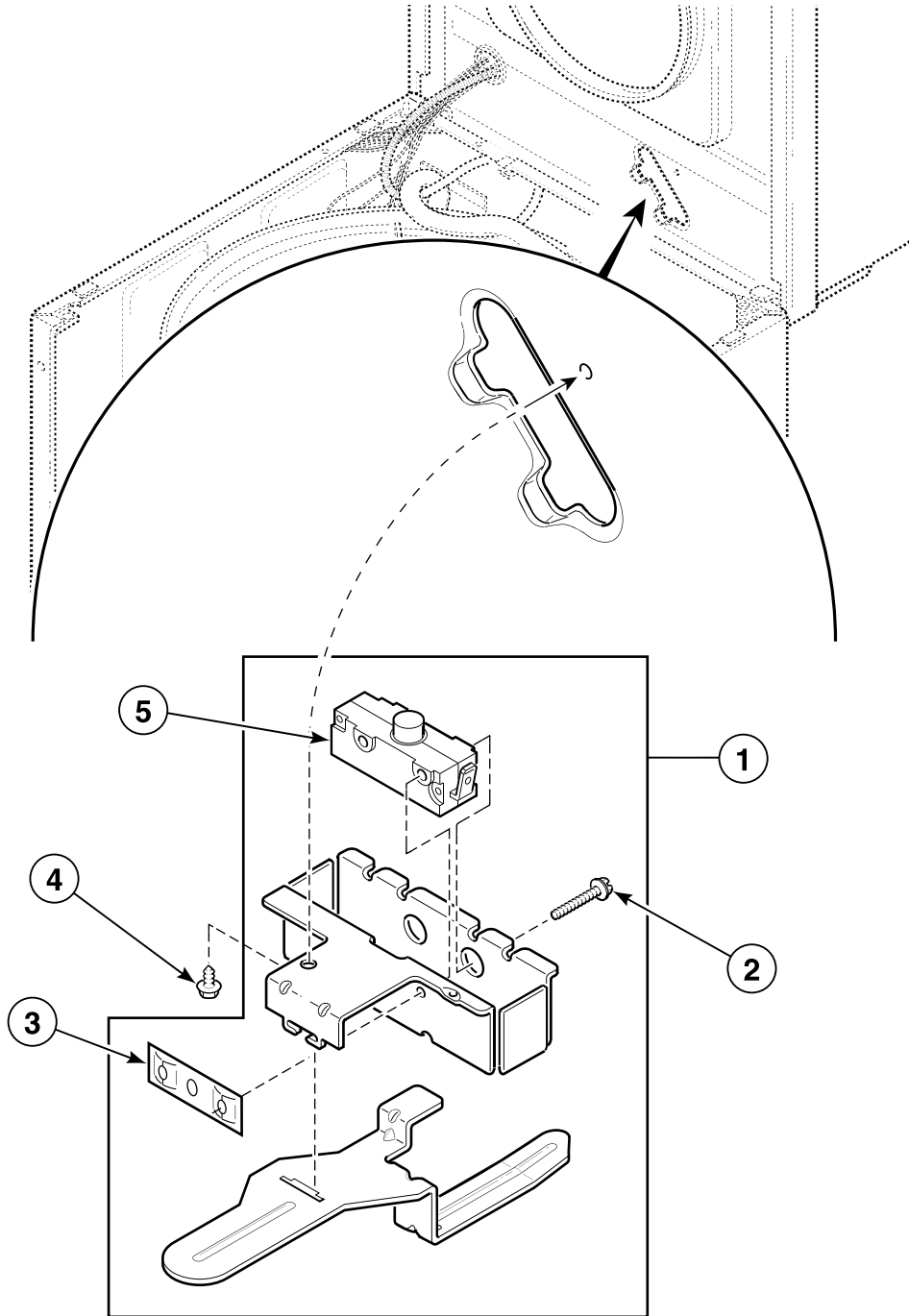
TLW1523P_39202

Top Assembly

REF	PART NO.	DESCRIPTION	COMMENTS
1	503673	Screw	Optional; For added security
2	52909	Screw	
3	505281	Disconnect Power Warning Label	
4	38384	Strain Relief	All models except JWT810*N3050, JWT910*N3050, SWT011*A3050, SWT111*A3028, SWT111*A3050, SWT421*A3028, SWT421*A3050, SWT811*N3050, SWT910*N3050 and SWT911*N3050
5	39185WP	Top Assembly	White; Models HWT021*A1102, HWT021*C1102, HWT021*M1102, HWT021*N1102, HWT621*A1102, HWT621*C1102, HWT721*A1102, HWT721*C1102, SWT011*A3000, SWT011*A3022, SWT011*A3028, SWT011*A3050, SWT011*A3062, SWT011*M3000, SWT011*M3022, SWT011*M3050, SWT011*N3000, SWT011*N3022, SWT011*N3028, SWT011*N3050, SWT011*N3062, SWT111*A3022, SWT111*A3028, UWT011*A3022, UWT011*A3025 and UWT011*M3022
	39185LP	Top Assembly	Almond; Refer to models above
	39185QP	Top Assembly	Bisque; Models HWT021*A1102, HWT021*C1102, HWT021*M1102, HWT021*N1102, HWT621*A1102, HWT621*C1102, HWT721*A1102, HWT721*C1102, SWT011*A3000, SWT011*A3022, SWT011*A3028, SWT011*A3050, SWT011*A3062, SWT011*M3000, SWT011*M3022, SWT011*M3050, SWT011*N3000, SWT011*N3022, SWT011*N3028, SWT011*N3050, SWT011*N3062, SWT111*A3022, SWT111*A3028, UWT011*A3022, UWT011*A3025 and UWT011*M3022
	210173WP	Top Assembly	White; Models BWT820*N1102, HWT821*N1102, HWTF21*M1102, HWTF21*N1102, HWTY21*M1102, HWTY21*N1102, JWT810*N3050, JWT810*N5400, SWT811*N3000, SWT811*N3022, SWT811*N3050, SWT811*N3062, SWTF21*M3050 and SWTF21*N3050
	210173LP	Top Assembly	Almond; Models BWT820*N1102, HWT821*N1102, HWTF21*M1102, HWTF21*N1102, HWTY21*M1102, HWTY21*N1102, JWT810*N3050, JWT810*N5400, SWT811*N3000, SWT811*N3022, SWT811*N3050, SWT811*N3062, SWTF21*M3050 and SWTF21*N3050
	210173QP	Top Assembly	Bisque; Models BWT820*N1102, HWT821*N1102, HWTF21*M1102, HWTF21*N1102, HWTY21*M1102, HWTY21*N1102, JWT810*N3050, JWT810*N5400, SWT811*N3000, SWT811*N3022, SWT811*N3050, SWT811*N3062, SWTF21*M3050 and SWTF21*N3050
	39167WP	Top	White; All other models
	39167LP	Top	Almond; All other models
	39167QP	Top	Bisque; All other models
6	35527	Screw	Use with item 8
7	39249	Washer	Use with item 8
8	39744	Top Shield	Models HWTX21*M3022, HWTX21*N3022, JWT810*N3050, JWT910*N3050, SWT011*A3028, SWT011*M3050, SWT011*N3028, SWT011*N3050, SWT111*A3028, SWT111*M3050, SWT111*N3028, SWT111*N3050, SWT421*M3050, SWT811*N3050, SWT910*N3050, SWT911*N3028, SWT911*N3050, SWTA21*M3050, SWTA21*N3050, SWTF21*M3050, SWTF21*N3050 and UWT011*A3025
9	27222	Nut	Optional; For added security
10	23008	Screw	
11	56534	Support Barrel	
12	36020	Nut	

* Add Letter To Designate Color. L - Almond Q - Bisque W - White

Lid Switch



TLW1832B_39202

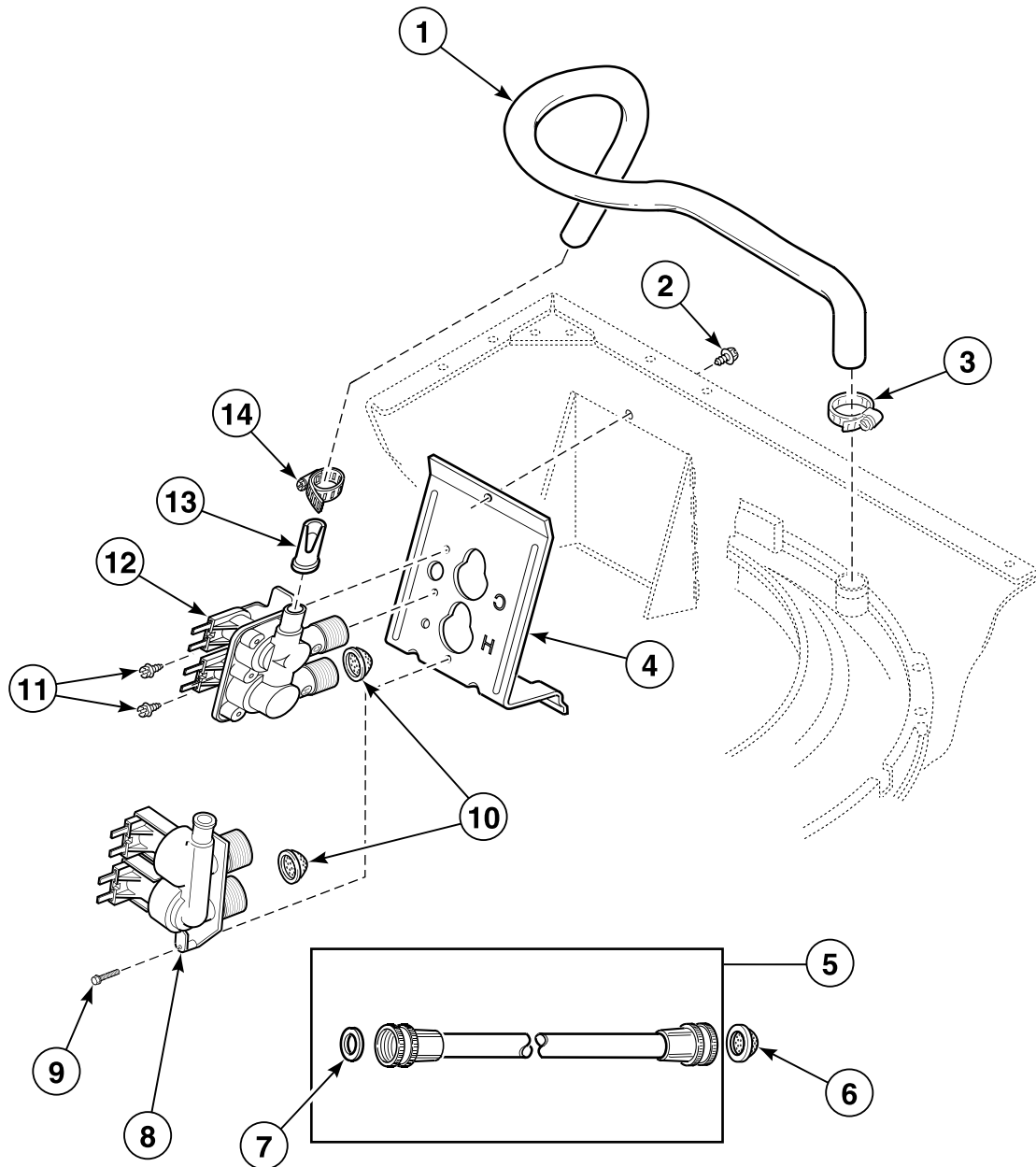
Lid Switch

REF	PART NO.	DESCRIPTION	COMMENTS
1	39256	Switch Assembly	Models HWT011*B3073, HWT111*B3069, HWT211*B3020, HWT211*M3020, HWT211*N3020, HWT220*M3020, HWT911*N3020, HWTX21*M3020, HWTX21*M3022, HWTX21*N3020, HWTX21*N3022, JWT810*N3020, JWT910*N3020, JWT910*N3069, SWT111*A3028, SWT111*B3069, SWT111*M3069, SWT111*N3028, SWT111*N3069, SWT211*A3020, SWT211*B3020, SWT211*M3020, SWT211*N3020, SWT421*A3028, SWT911*N3020, SWT911*N3028, SWT911*N3069, SWTX21*M3020, SWTX21*M3069, SWTX21*N3020, SWTX21*N3069 and UWT011*A3025
	37631	Lid Switch Assembly	All other models
2	M402574	Screw	
3	M400981	Nut	
4	23962	Screw	
5	37830	Switch	Models HWT011*B3073, HWT111*B3069, HWT211*B3020, HWT211*M3020, HWT211*N3020, HWT220*M3020, HWT911*N3020, HWTX21*M3020, HWTX21*M3022, HWTX21*N3020, HWTX21*N3022, JWT810*N3020, JWT910*N3020, JWT910*N3069, SWT111*A3028, SWT111*B3069, SWT111*M3069, SWT111*N3028, SWT111*N3069, SWT211*A3020, SWT211*B3020, SWT211*M3020, SWT211*N3020, SWT421*A3028, SWT911*N3020, SWT911*N3028, SWT911*N3069, SWTX21*M3020, SWTX21*M3069, SWTX21*N3020, SWTX21*N3069 and UWT011*A3025
	33445	Switch	All other models

* Add Letter To Designate Color. L - Almond Q - Bisque W - White

Fill Hose, Mixing Valve-to-Tub Cover Hose, Mixing Valve and Mounting Bracket

Models with Suffix Numbers 1102 and Models HWT221*N1127, HWT921*N1127 and SWTX21*N1127



TLW1509P_39202

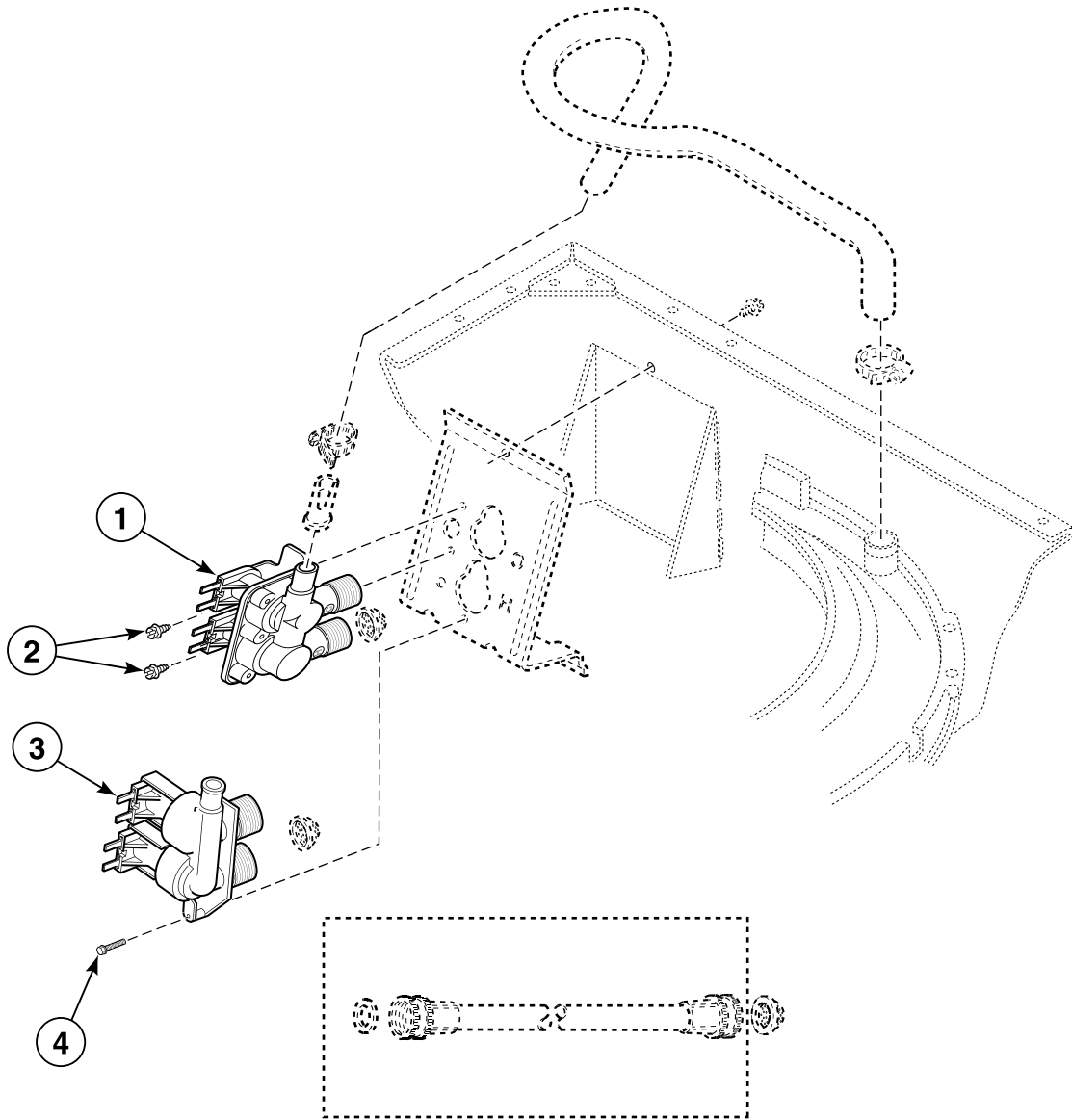
Fill Hose, Mixing Valve-to-Tub Cover Hose, Mixing Valve and Mounting Bracket

REF	PART NO.	DESCRIPTION	COMMENTS
1	38155	Mixing Valve-to-Tub Cover Hose	
2	33562	Screw	
3	800803	Hose Clamp	
4	39407	Mixing Valve Mounting Bracket	
5	28330P	Fill Hose Kit	4 feet; Hose is equipped with 2 standard hose couplings; Includes item 7
	20617	Fill Hose	8 feet; Hose is equipped with 2 standard hose couplings
	20618	Fill Hose	10 feet; Hose is equipped with 2 standard hose couplings
	38349P	Fill Hose Kit	5 feet; Hose is equipped with 1 metric and 1 standard hose coupling; Includes item 7
	37380	Fill Hose	8 feet; Hose is equipped with 1 metric and 1 standard hose coupling
	37381	Fill Hose	10 feet; Hose is equipped with 1 metric and 1 standard hose coupling
6	F270300	Filter Screen	
	802254	Washer	Water pressure reducer; Available for water pressure up to but not exceeding 120 psi
7	20290	Washer	
8	201468P	Mixing Valve	Models HWTR21*N1102, HWTT21*N1102, HWTX21*N1102, HWTY21*M1102, HWTY21*N1102, HWTZ21*M1102, HWTZ21*N1102 and SWTX21*N1127
	201402P	Mixing Valve	All other models starting Serial No. 9809033481
9	39397	Screw	Use with item 8
10	24122	Mixing Valve Screen	
11	501086	Screw	Use with item 12
12	38495P	Mixing Valve	Models through Serial No. 989033480
13	34500	Backflow Preventer	
14	36801	Hose Clamp	

* Add Letter To Designate Color. L - Almond Q - Bisque W - White

Mixing Valve

All Models Except Models with Suffix Numbers 1102 and Models HWT221*N1127, HWT921*N1127 and SWTX21*N1127



TLW1509PA_39202

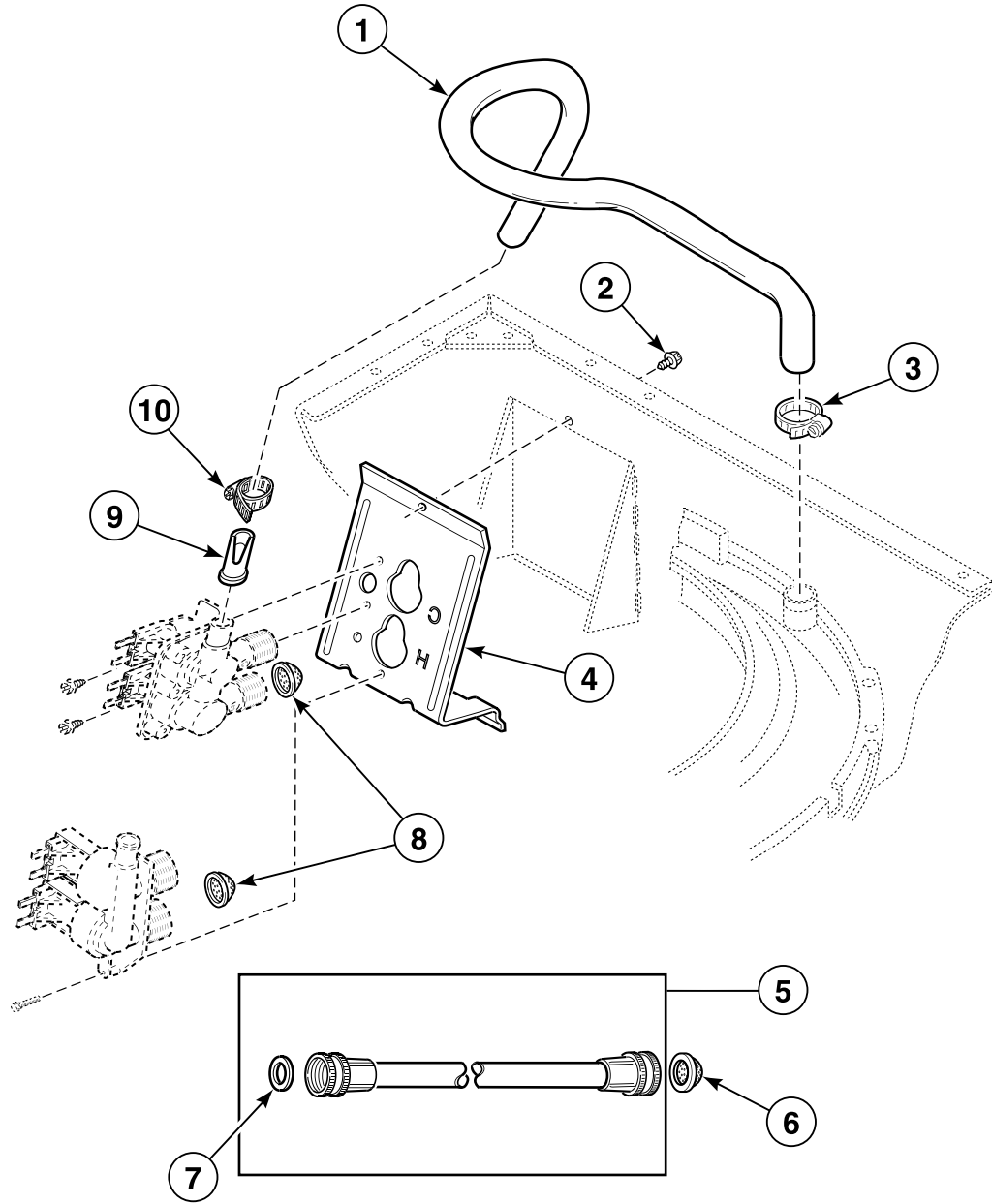
Mixing Valve

REF	PART NO.	DESCRIPTION	COMMENTS
1	38495P	Mixing Valve	Models through Serial No. 9809033480; Models SWT111*A1200, SWT111*A1300, SWT211*A1200 and SWT211*A1300
	38813P	Mixing Valve	Models HWT111*A3000, HWT111*C3000, HWT211*A3000, HWT211*C3000, SWT011*A3000, SWT011*A3022, SWT011*A3050, SWT111*A3000, SWT111*A3022, SWT111*A3050, SWT111*A5412, SWT121*A3000, SWT211*A3000, SWT211*A3022, SWT421*A3000, SWT421*A3022, SWT421*A3028, SWT421*A3050 and UWT011*A3022
	38918P	Mixing Valve	Models HWT011*B3073, HWT111*B3069, HWT211*B3020, HWT211*M3020, HWT211*N3020, HWT220*M3020, HWT911*N3020, HWTX21*M3020, HWTX21*M3022, HWTX21*N3020, HWTX21*N3022, JWT810*N3020, JWT910*N3020, JWT910*N3069, SWT111*B3069, SWT111*M3069, SWT111*N3069, SWT211*A3020, SWT211*B3020, SWT211*M3020, SWT211*N3020, SWT911*N3020, SWT911*N3069, SWTX21*M3020, SWTX21*M3069, SWTX21*N3020 and SWTX21*N3069
2	501086	Screw	Use with item 1
3	201402P	Mixing Valve	Models starting Serial No. 9809033481; Models SWT111*A1200, SWT111*A1300, SWT111*M1200, SWT111*M1300, SWT211*A1200 and SWT211*A1300
	39070P	Mixing Valve	Models HWT111*M3000, HWT211*M3000, HWT220*M3000, JWT810*N3050, JWT810*N5400, JWT910*N3050, SWT011*A3028, SWT011*A3062, SWT011*M3000, SWT011*M3022, SWT011*M3050, SWT011*N3000, SWT011*N3022, SWT011*N3028, SWT011*N3050, SWT011*N3062, SWT111*A3028, SWT111*M3000, SWT111*M3022, SWT111*M3050, SWT111*M5412, SWT111*N3000, SWT111*N3022, SWT111*N3028, SWT111*N3050, SWT111*N5412, SWT111*N5417, SWT121*M3000, SWT211*A3062, SWT211*M3000, SWT211*M3022, SWT211*N3000, SWT211*N3022, SWT211*N3050, SWT211*N3062, SWT421*M3000, SWT421*M3022, SWT421*M3050, SWT811*N3000, SWT811*N3022, SWT811*N3050, SWT811*N3062, SWT910*N3050, SWT911*N3000, SWT911*N3022, SWT911*N3028, SWT911*N3050, SWT911*N3062, SWT911*N5412, SWTA21*M3022, SWTA21*M3050, SWTA21*N3050, SWTF21*M3050, SWTF21*N3050, SWTX21*M3000, SWTX21*M3022, SWTX21*M3050, SWTX21*N3000, SWTX21*N3022, SWTX21*N3050, UWT011*A3025 and UWT011*M3022
4	39397	Screw	Use with item 3

* Add Letter To Designate Color. L - Almond Q - Bisque W - White

Fill Hose, Mixing Valve-to-Tub Cover Hose and Mounting Bracket

All Models Except Models with Suffix Numbers 1102 and Models HWT221*N1127, HWT921*N1127 and SWTX21*N1127



TLW1509PB_39202

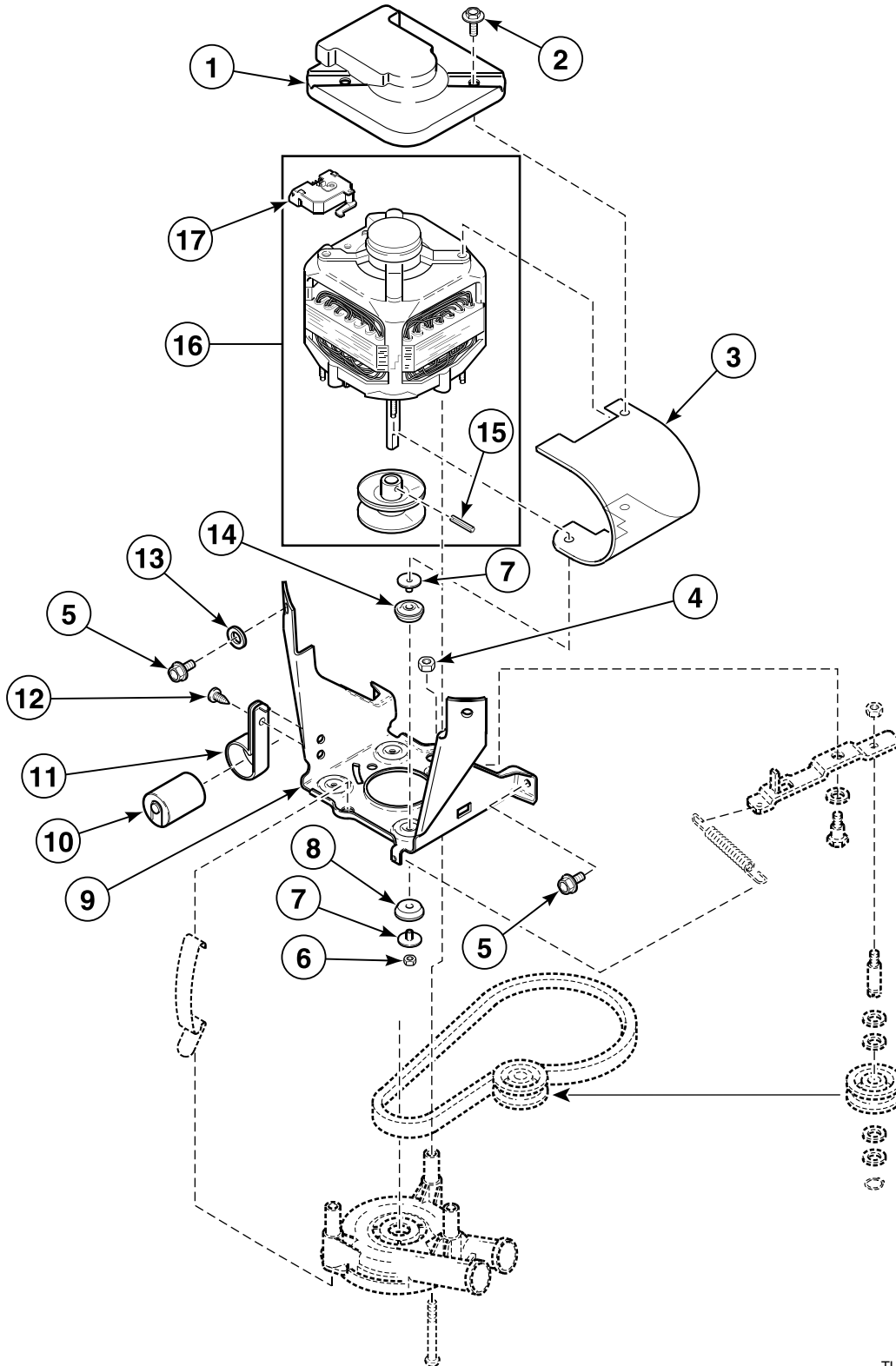
Fill Hose, Mixing Valve-to-Tub Cover Hose and Mounting Bracket

REF	PART NO.	DESCRIPTION	COMMENTS
1	38155	Mixing Valve-to-Tub Cover Hose	
2	33562	Screw	
3	800803	Hose Clamp	
4	39407	Mixing Valve Mounting Bracket	
5	28330P	Fill Hose Kit	4 feet; Hose is equipped with 2 standard hose couplings; Includes item 7
	20617	Fill Hose	8 feet; Hose is equipped with 2 standard hose couplings
	20618	Fill Hose	10 feet; Hose is equipped with 2 standard hose couplings
	38349P	Fill Hose Kit	5 feet; Hose is equipped with 1 metric and 1 standard hose coupling; Includes item 7
	37380	Fill Hose	8 feet; Hose is equipped with 1 metric and 1 standard hose coupling
	37381	Fill Hose	10 feet; Hose is equipped with 1 metric and 1 standard hose coupling
6	F270300	Filter Screen	
	802254	Washer	Water pressure reducer; Available for water pressure up to but not exceeding 120 psi
7	20290	Washer	
8	24122	Mixing Valve Screen	
9	34500	Backflow Preventer	
10	36801	Hose Clamp	

* Add Letter To Designate Color. L - Almond Q - Bisque W - White

Motor and Mounting Bracket Assembly (Drawing 1 of 3)

Models HWT011*B3073, HWT111*B3069, HWT211*B3020, HWT211*M3020, HWT211*N3020, HWT220*M3020, HWT911*N3020, JWT810*N3020, JWT910*N3020, JWT910*N3069, SWT011*A3028, SWT011*N3028, SWT111*A3028, SWT111*B3069, SWT111*M3069, SWT111*N3028, SWT111*N3069, SWT211*A3020, SWT211*B3020, SWT211*M3020, SWT211*N3020, SWT911*N3020, SWT911*N3069 and UWT011*A3025



TLW1492P_39202

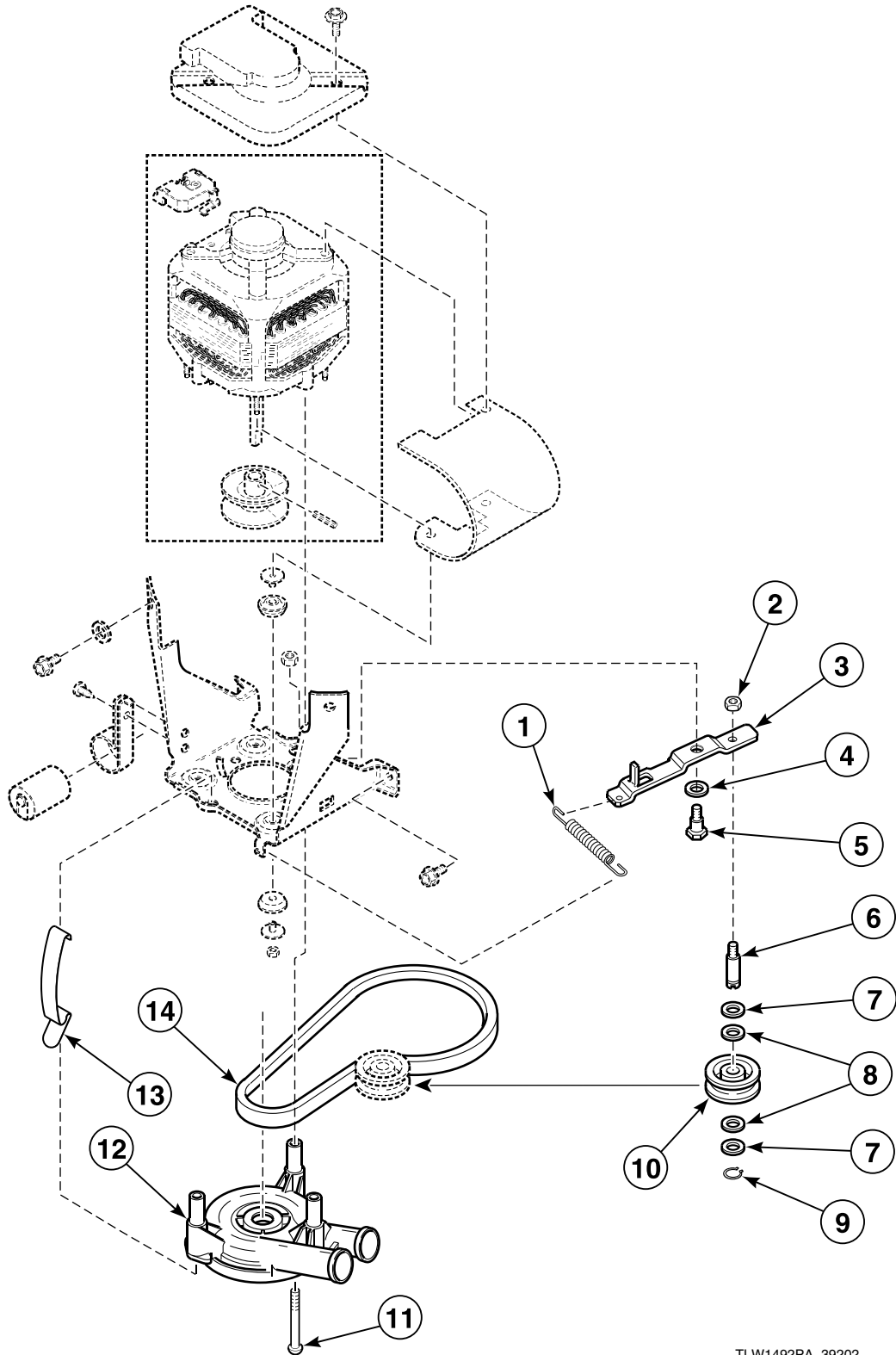
Motor and Mounting Bracket Assembly (Drawing 1 of 3)

REF	PART NO.	DESCRIPTION	COMMENTS
1	34754	Motor Shield	
2	36639	Screw	
3	36965	Motor Side Shield	
4	52566	Nut	
5	35369	Screw	
6	685846	Nut	
7	38325	Isolator Post	
8	38396	Motor Mount	
9	200941	Motor Mount Bracket	
10	39259P	Capacitor and Clamp Kit	
11	37535	Capacitor Clamp	Use with item 10
12	52909	Screw	Use with item 10
13	37772	Washer	
14	38395	Motor Mount	
15	10416	Roll Pin	Models through Serial No. 0011013645
16	200648P	Motor Assembly	Capacitor start; 1 speed; 230 Volt/50 Hertz; Models HWT211*M3020, HWT211*N3020, HWT220*M3020, SWT011*A3028, SWT011*N3028, SWT111*A3028, SWT111*M3069, SWT111*N3028, SWT111*N3069, SWT211*M3020, SWT211*N3020 and UWT011*A3025 through Serial Nos. beginning 0311; Models HWT111*B3069, HWT211*B3020, SWT111*B3069 and SWT211*B3020 starting Serial Nos. beginning 0102
	835P3	Motor Kit	1 speed; 240 Volt/50 Hertz; Models HWT111*B3069, HWT211*B3020, SWT111*B3069 and SWT211*B3020 starting Serial No. 0011003354 and continuing through Serial Nos. beginning 0102; Models HWT211*N3020, SWT011*N3028, SWT111*N3028, SWT111*N3069 and SWT211*N3020 starting Serial Nos. beginning 0311; Models HWT911*N3020, JWT810*N3020, JWT910*N3020, JWT910*N3069, SWT911*N3020 and SWT911*N3069
17	35632P	Motor Switch	

* Add Letter To Designate Color. L - Almond Q - Bisque W - White

Belt, Pump and Idler Assembly (Drawing 1 of 3)

Models HWT011*B3073, HWT111*B3069, HWT211*B3020, HWT211*M3020, HWT211*N3020, HWT220*M3020, HWT911*N3020, JWT810*N3020, JWT910*N3020, JWT910*N3069, SWT011*A3028, SWT011*N3028, SWT111*A3028, SWT111*B3069, SWT111*M3069, SWT111*N3028, SWT111*N3069, SWT211*A3020, SWT211*B3020, SWT211*M3020, SWT211*N3020, SWT911*N3020, SWT911*N3069 and UWT011*A3025



TLW1492PA_39202

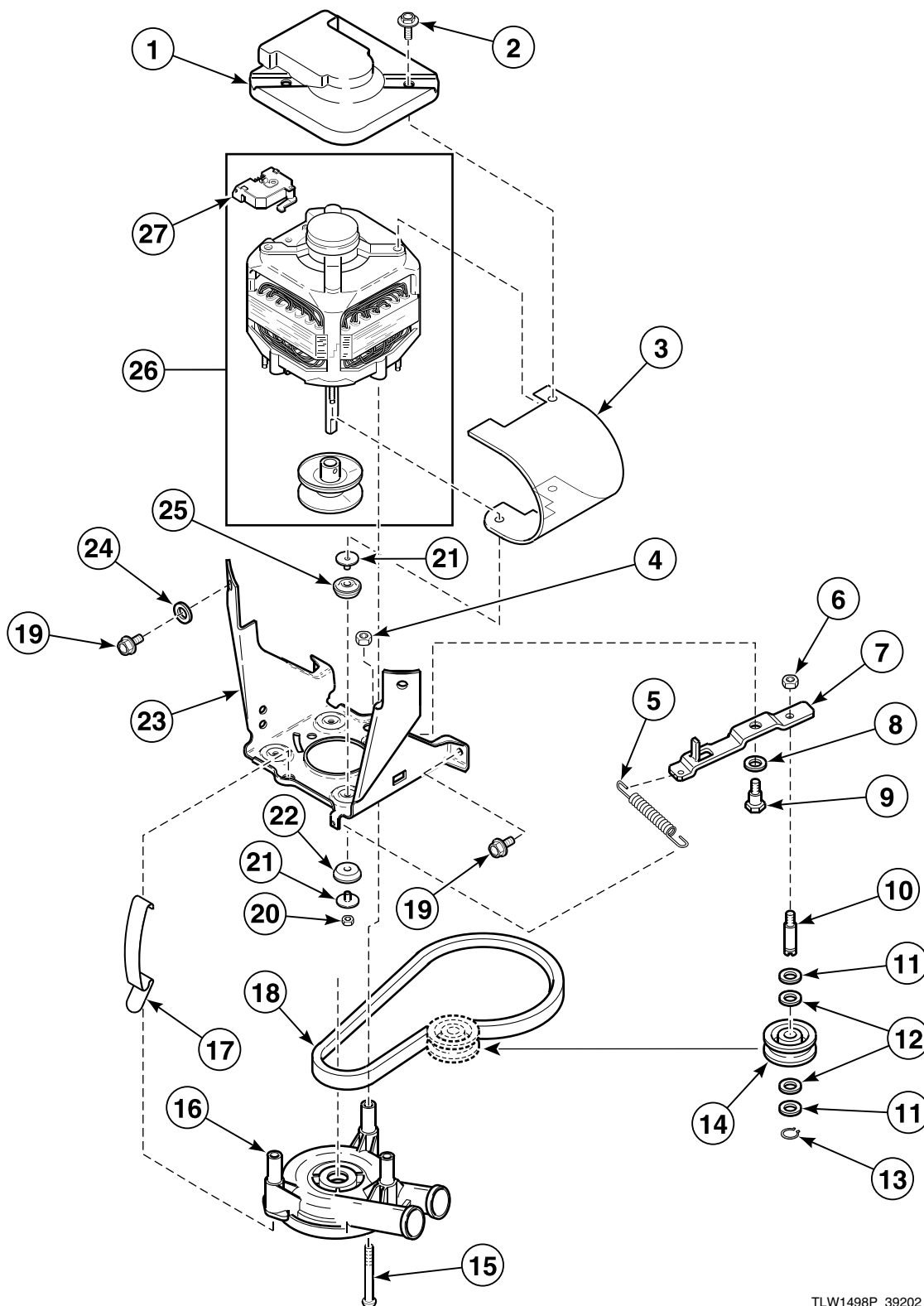
Belt, Pump and Idler Assembly (Drawing 1 of 3)

REF	PART NO.	DESCRIPTION	COMMENTS
1	201189	Idler Lever Spring	All models with the letter "N" in the 8th character of the model number through Serial Nos. beginning 0401 and starting again at Serial No. 0402011701
	39666	Idler Lever Spring	All other models
	202032	Idler Lever Spring	Use on units experiencing low RPM
2	28803	Nut	
3	38011	Idler Lever	
4	81392	Washer	
5	27229	Screw	
6	56461P	Shaft	Models through Serial No. 0107000541
	210186	Idler Shaft	Models starting Serial No. 0107000542
7	504082	Washer	Models starting Serial No. 0107000542
8	52549	Washer	Nylatron
9	23748	Retaining Ring	
10	38225P	Idler Pulley	
11	34565	Screw	Models through Serial No. 0204010658
12	201566P	Pump	
	201442P	Pump Assembly	Heavy duty
13	210202	Spring Clip	Models starting Serial No. 0204010659
14	200923	Agitate and Spin Belt	All models with the letter "M" or "N" in the 8th character of the model number
	38749	Agitate and Spin Belt	All other models

* Add Letter To Designate Color. L - Almond Q - Bisque W - White

Motor, Mounting Bracket, Belt and Idler Assembly

Models HWTX21*M3020, HWTX21*M3022, HWTX21*N3020, HWTX21*N3022, SWTX21*M3020, SWTX21*M3022, SWTX21*M3069, SWTX21*N3020, SWTX21*N3022 and SWTX21*N3069



TLW1498P_39202

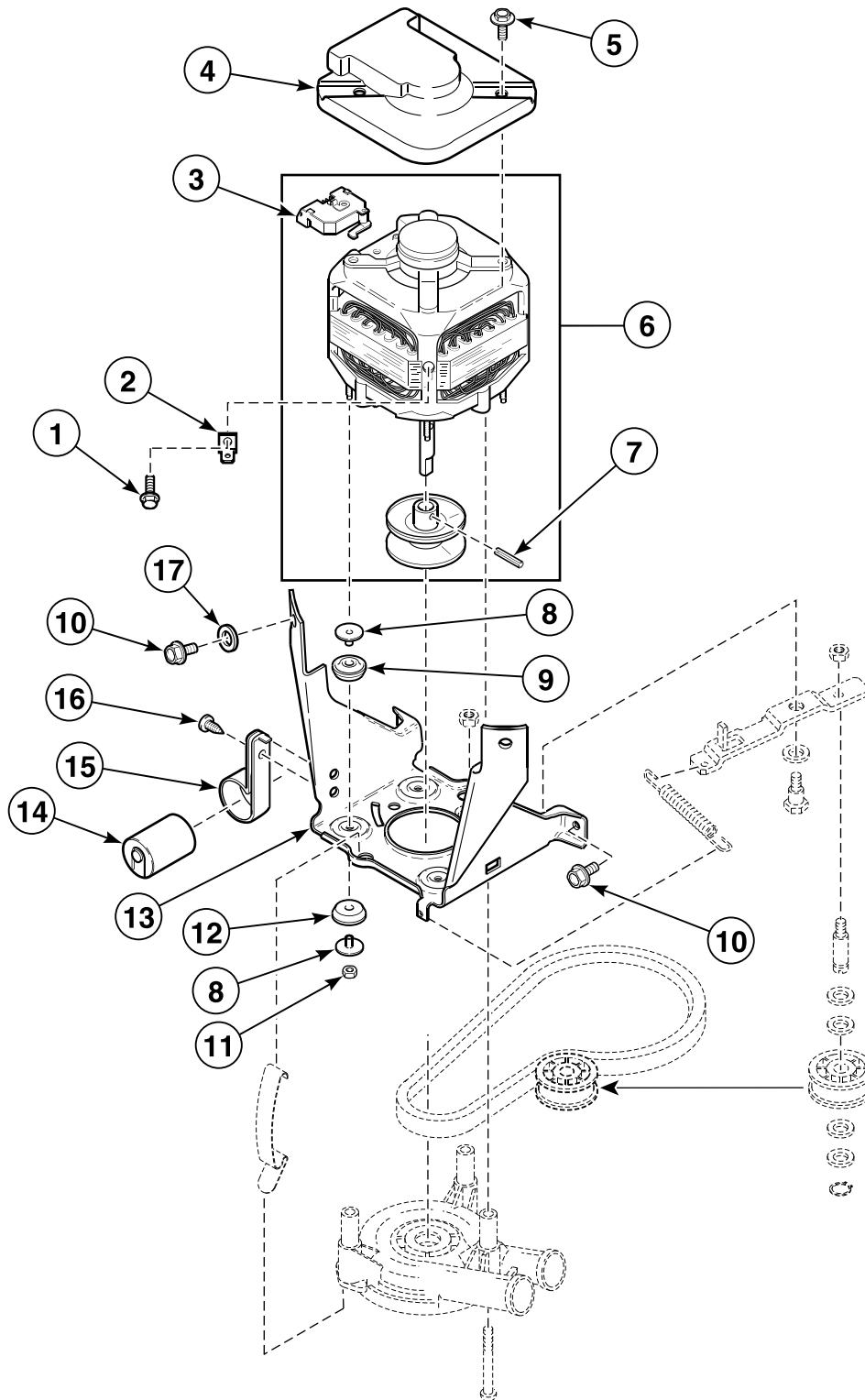
Motor, Mounting Bracket, Belt and Idler Assembly

REF	PART NO.	DESCRIPTION	COMMENTS
1	34754	Motor Shield	
2	36639	Screw	
3	36965	Motor Side Shield	
4	52566	Nut	
5	201189	Idler Lever Spring	All models with the letter "N" in the 8th character of the model number through Serial Nos. beginning 0401 and starting again at Serial No. 0402011701
	39666	Idler Lever Spring	All other models
	202032	Idler Lever Spring	Use on units experiencing low RPM
6	28803	Nut	
7	38011	Idler Lever	
8	81392	Washer	
9	27229	Screw	
10	210186	Idler Shaft	
11	504082	Washer	
12	52549	Washer	Nylatron
13	23748	Retaining Ring	
14	38225P	Idler Pulley	
15	34565	Screw	Models through Serial No. 0204010658
16	201566P	Pump	
	201442P	Pump Assembly	Heavy duty
17	210202	Spring Clip	Models starting Serial No. 0204010659
18	200923	Agitate and Spin Belt	
19	35369	Screw	
20	685846	Nut	
21	38325	Isolator Post	
22	38396	Motor Mount	
23	200941	Motor Mount Bracket	
24	37772	Washer	
25	38395	Motor Mount	
26	201433P	Motor Kit	2 speed; 240 Volt/50 Hertz
27	35632P	Motor Switch	

* Add Letter To Designate Color. L - Almond Q - Bisque W - White

Motor and Mounting Bracket Assembly (Drawing 2 of 3)

Models JWT810*N3050, JWT910*N3050, SWT011*A3050, SWT011*M3050, SWT011*N3050, SWT111*A3050, SWT111*M3050, SWT111*N3050, SWT211*N3050, SWT421*A3050, SWT421*M3050, SWT811*N3050, SWT910*N3050, SWT911*N3050, SWTA21*M3050, SWTA21*N3050, SWTF21*M3050, SWTF21*N3050, SWTX21*M3050 and SWTX21*N3050



TLW1493P_39202

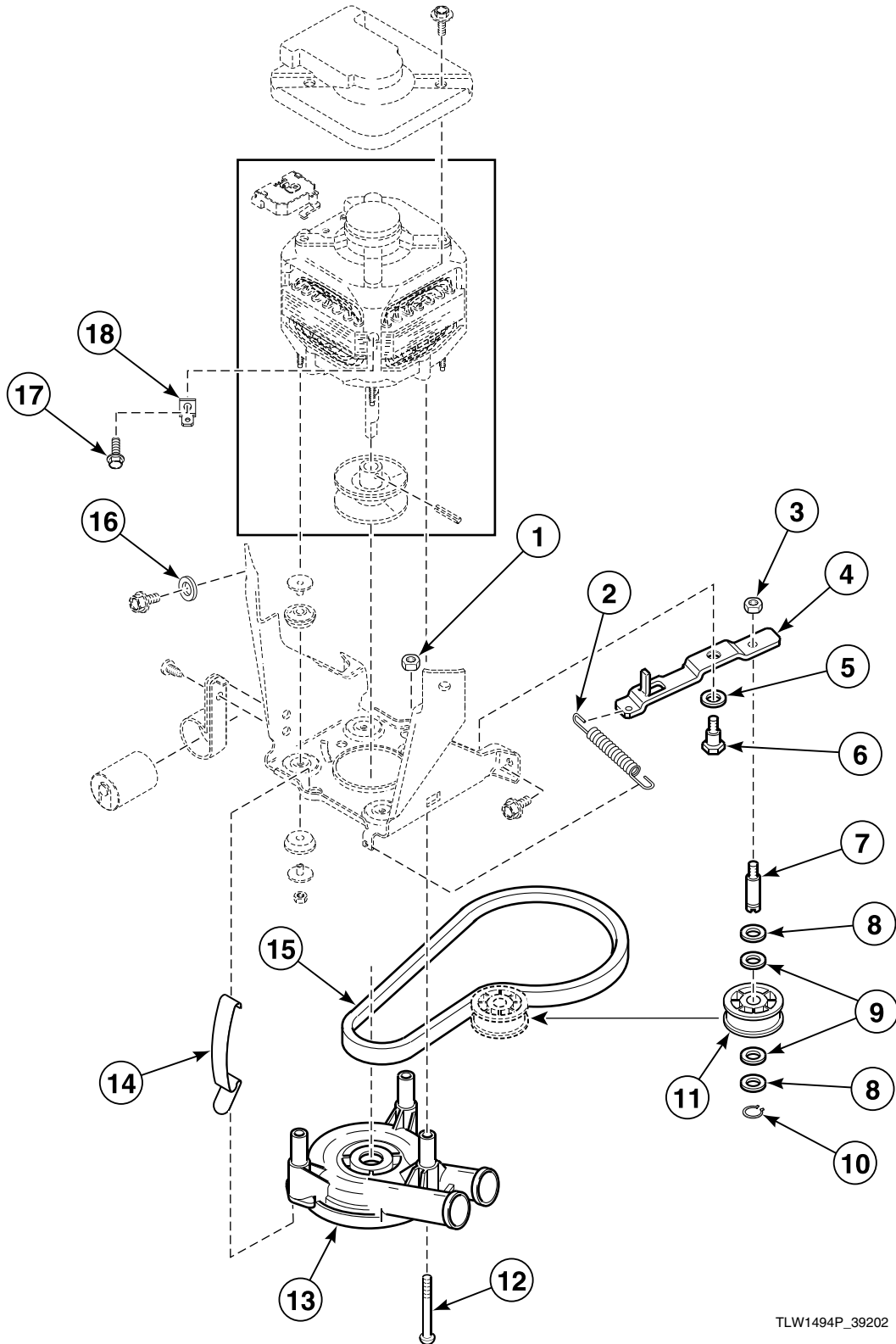
Motor and Mounting Bracket Assembly (Drawing 2 of 3)

REF	PART NO.	DESCRIPTION	COMMENTS
1	20530	Screw	Models starting Serial Nos. beginning 0005
2	00177	Male Tab Terminal	Models starting Serial Nos. beginning 0005
3	35632P	Motor Switch	
4	34754	Motor Shield	
5	36639	Screw	
6	835P3	Motor Kit	240 Volt/50 Hertz, 1 speed; Models SWT011*A3050 and SWT111*A3050 through Serial Nos. beginning 0005; Models SWT011*M3050 and SWT111*M3050 starting Serial No. 0210018191; Models JWT810*N3050, JWT910*N3050, SWT011*N3050, SWT111*N3050, SWT211*N3050, SWT811*N3050, SWT910*N3050 and SWT911*N3050
	200585P	Motor Kit	240 Volt/50 Hertz, 1 speed; Models SWT011*A3050 and SWT111*A3050 starting Serial Nos. beginning 0005; Models SWT011*M3050 and SWT111*M3050 through Serial No. 0210018190
	201433P	Motor Kit	240 Volt/50 Hertz, 2 speed; Models SWT421*A3050, SWT421*M3050, SWTA21*M3050, SWTA21*N3050, SWTF21*M3050, SWTF21*N3050, SWTX21*M3050 and SWTX21*N3050
7	10416	Roll Pin	Models through Serial No. 0011013645
8	38325	Isolator Post	
9	38395	Motor Mount	
10	35369	Screw	
11	685846	Nut	
12	38396	Motor Mount	
13	200941	Motor Mount Bracket	
14	39259P	Capacitor and Clamp Kit	Models SWT011*M3050 and SWT111*M3050 starting Serial No. 0210018191; Models JWT810*N3050, JWT910*N3050, SWT011*N3050, SWT111*N3050, SWT211*N3050, SWT811*N3050, SWT910*N3050 and SWT911*N3050
15	37535	Capacitor Clamp	Use with item 28
16	52909	Screw	Use with item 28
17	37772	Washer	

* Add Letter To Designate Color. L - Almond Q - Bisque W - White

Belt, Pump and Idler Assembly (Drawing 2 of 3)

Models JWT810*N3050, JWT910*N3050, SWT011*A3050, SWT011*M3050, SWT011*N3050, SWT111*A3050, SWT111*M3050, SWT111*N3050, SWT211*N3050, SWT421*A3050, SWT421*M3050, SWT811*N3050, SWT910*N3050, SWT911*N3050, SWTA21*M3050, SWTA21*N3050, SWTF21*M3050, SWTF21*N3050, SWTX21*M3050 and SWTX21*N3050



TLW1494P_39202

Belt, Pump and Idler Assembly (Drawing 2 of 3)

REF	PART NO.	DESCRIPTION	COMMENTS
1	52566	Nut	
2	201189	Idler Lever Spring	All models with the letter "N" in the 8th character of the model number through Serial Nos. beginning 0401 and starting again at Serial No. 0402011701
	39666	Idler Lever Spring	All other models
	202032	Idler Lever Spring	Use on units experiencing low RPM
3	28803	Nut	
4	38011	Idler Lever	
5	81392	Washer	
6	27229	Screw	
7	56461P	Shaft	Models through Serial No. 0107000541
	210186	Idler Shaft	Models starting Serial No. 0107000542
8	504082	Washer	Models starting Serial No. 0107000542
9	52549	Washer	Nylatron
10	23748	Retaining Ring	
11	38225P	Idler Pulley	
12	34565	Screw	Models through Serial No. 0204010658
13	201566P	Pump	
	201442P	Pump Assembly	Heavy duty
14	210202	Spring Clip	Models starting Serial No. 0204010659
15	38749	Agitate and Spin Belt	Models SWT011*A3050, SWT111*A3050 and SWT421*A3050
	200923	Agitate and Spin Belt	All other models

* Add Letter To Designate Color. L - Almond Q - Bisque W - White

Motor and Mounting Bracket Assembly (Drawing 3 of 3)

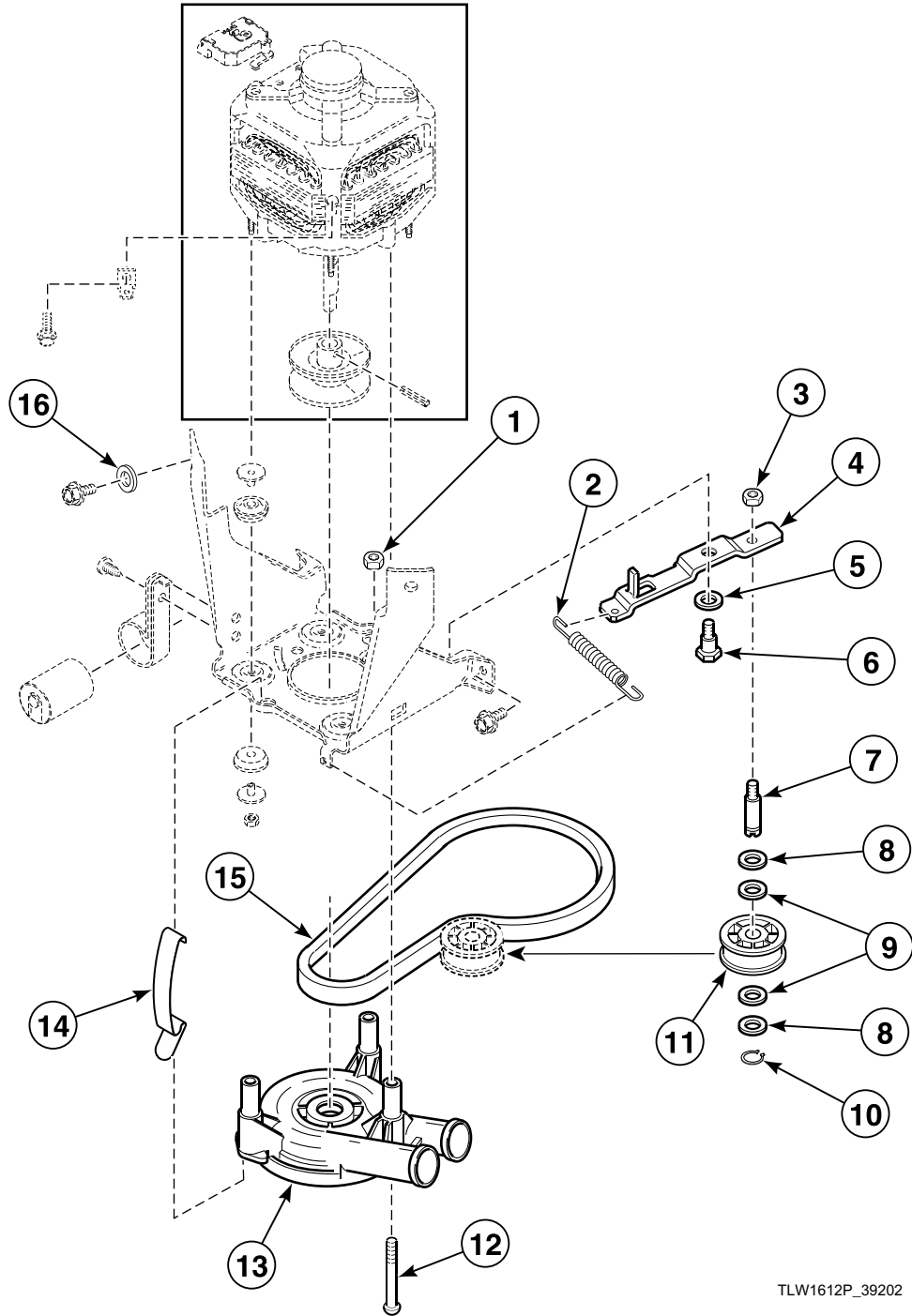
REF	PART NO.	DESCRIPTION	COMMENTS
1	35886	Motor Shield	Models SWT011*A3062 and SWT211*A3062
	34754	Motor Shield	All other models
2	36639	Screw	
3	35030P	Motor Assembly	240 Volt/50 or 60 Hertz, 1 speed; Models with suffix 5400, 5412 or 5417
	38034P	Motor Kit	115 Volt/60 Hertz; 2 speed models with suffix 1102 or 1127
	38035P	Motor Kit	115 Volt/60 Hertz; 1 speed models with suffix 1102
	200646P	Motor Assembly	100 Volt/50 Hertz, 1 speed; Models SWT111*A1300, SWT111*M1300 and SWT211*A1300
	N/A	Motor Kit	100 Volt/60 Hertz, 1 speed; Models SWT111*A1200, SWT111*M1200 and SWT211*A1200
	835P3	Motor Kit	240 Volt/50 Hertz, 1 speed; Models HWT111*M3000, SWT011*M3000, SWT011*M3022, SWT111*M3000, SWT111*M3022, SWT211*M3000 and SWT211*M3022 through Serial No. 0210018190; Models HWT111*A3000, HWT111*C3000, HWT211*A3000, HWT211*C3000, SWT011*A3000, SWT011*A3022, SWT011*A3062, SWT011*N3062, SWT111*A3000, SWT111*A3022, SWT211*A3000, SWT211*A3022, SWT211*A3062, SWT111*N3062, SWT811*N3062, SWT911*N3028, SWT911*N3062, UWT011*A3022 and UWT011*M3022
	200648P	Motor Assembly	230 Volt/50 Hertz, 1 speed; Models HWT111*M3000, SWT011*M3000, SWT011*M3022, SWT111*M3000, SWT111*M3022, SWT211*M3000 and SWT211*M3022 starting Serial No. 0210018191; Models SWT011*N3000, SWT011*N3022, SWT111*N3000, SWT111*N3022, SWT211*N3000, SWT211*N3022, SWT811*N3000, SWT811*N3022, SWT911*N3000 and SWT911*N3022
201433P	Motor Kit	240 Volt/50 Hertz, 2 speed; Models HWT220*M3000, SWT121*A3000, SWT121*M3000, SWT421*A3000, SWT421*A3022, SWT421*A3028, SWT421*M3000, SWT421*M3022, SWTA21*M3022, SWTX21*M3000 and SWTX21*N3000	
4	10416	Roll Pin	Models through Serial No. 0011013645
5	38325	Isolator Post	
6	38395	Motor Mount	
7	35369	Screw	
8	685846	Nut	
9	38396	Motor Mount	
10	200941	Motor Mount Bracket	
11	37377	Capacitor	Models with suffix 1102 or 1127
	39259P	Capacitor and Clamp Kit	Models HWT111*M3000, SWT011*A3062, SWT011*M3000, SWT011*M3022, SWT111*M3000, SWT111*M3022, SWT211*A3062, SWT211*M3000 and SWT211*M3022 starting Serial No. 0210018191; Models SWT011*N3000, SWT011*N3022, SWT011*N3062, SWT111*N3000, SWT111*N3022, SWT211*N3000, SWT211*N3022, SWT211*N3062, SWT811*N3000, SWT811*N3022, SWT811*N3062, SWT911*N3000, SWT911*N3022, SWT911*N3028 and SWT911*N3062
12	37535	Capacitor Clamp	Use with item 11
13	52909	Screw	Use with item 11
14	20530	Screw	Use with item 15
15	00177	Male Tab Terminal	Models SWT011*A3062 and SWT211*A3062 starting Serial No. 0210018191; Models SWT011*N3062, SWT211*N3062, SWT811*N3062, SWT911*N3028 and SWT911*N3062
16	35632P	Motor Switch	

* Add Letter To Designate Color. L - Almond Q - Bisque W - White

N/A = Part no longer available

Belt, Pump and Idler Assembly (Drawing 3 of 3)

All Models Except HWT011*B3073, HWT111*B3069, HWT211*B3020, HWT211*M3020, HWT211*N3020, HWT220*M3020, HWT911*N3020, HWTX21*M3020, HWTX21*M3022, HWTX21*N3020, HWTX21*N3022, JWT810*N3020, JWT810*N3050, JWT910*N3020, JWT910*N3050, JWT910*N3069, SWT011*A3028, SWT011*A3050, SWT011*M3050, SWT011*N3028, SWT011*N3050, SWT111*A3028, SWT111*A3050, SWT111*B3069, SWT111*M3050, SWT111*M3069, SWT111*N3028, SWT111*N3050, SWT111*N3069, SWT211*A3020, SWT211*B3020, SWT211*M3020, SWT211*N3020, SWT211*N3050, SWT421*A3050, SWT421*M3050, SWT811*N3050, SWT910*N3050, SWT911*N3020, SWT911*N3050, SWT911*N3069, SWTA21*M3050, SWTA21*N3050, SWTF21*M3050, SWTF21*N3050, SWTX21*M3020, SWTX21*M3022, SWTX21*M3050, SWTX21*M3069, SWTX21*N3020, SWTX21*N3022, SWTX21*N3050, SWTX21*N3069 and UWT011*A3025



TLW1612P_39202

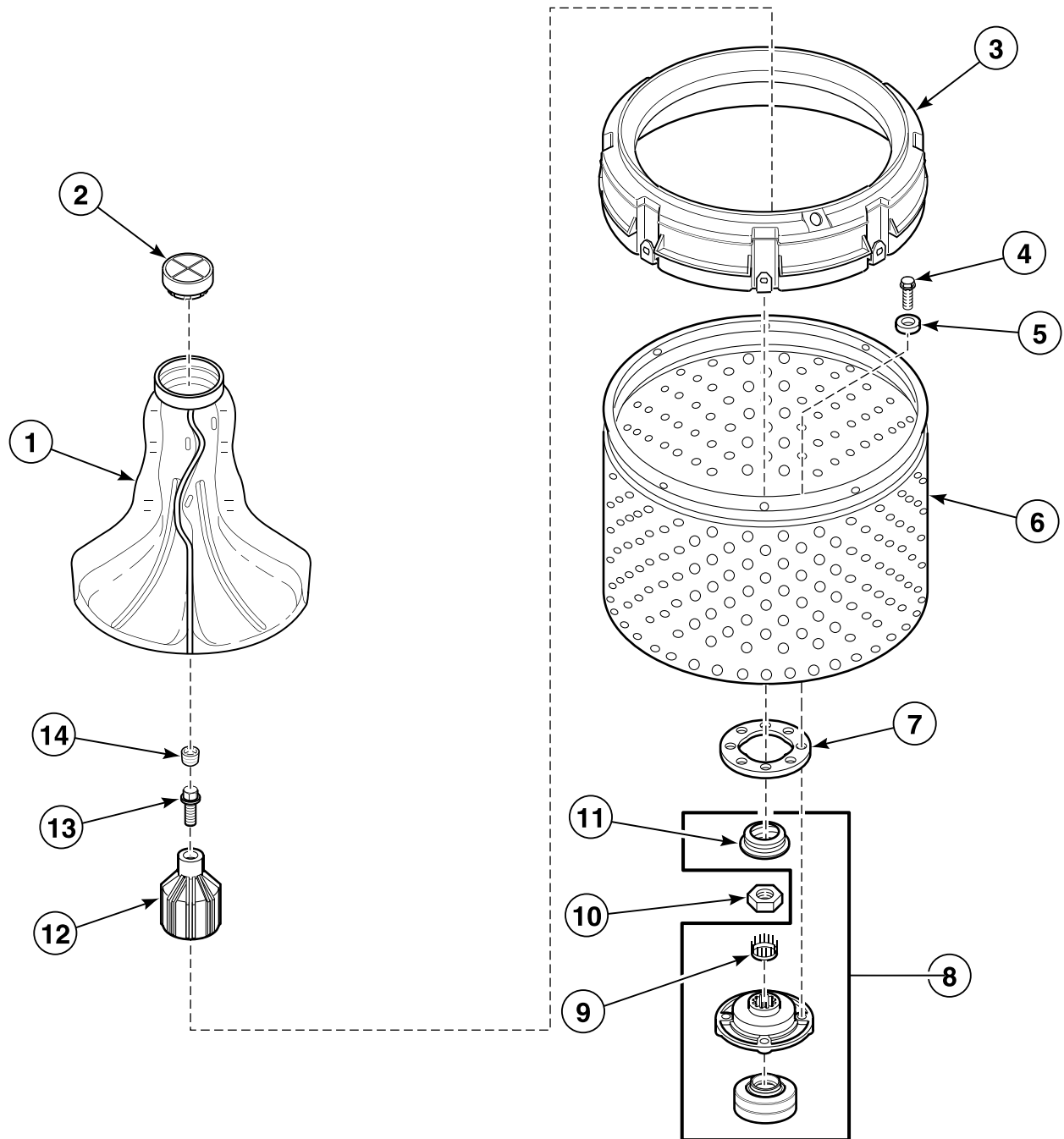
Belt, Pump and Idler Assembly (Drawing 3 of 3)

REF	PART NO.	DESCRIPTION	COMMENTS
1	52566	Nut	
2	201189	Idler Lever Spring	All 50 Hertz models with the letter "N" in the 8th character of the model number through Serial Nos. beginning 0401 and starting again at Serial No. 0402011701; All 60 Hertz model numbers with the letter "N" in the 8th character of the model number through Serial Nos. beginning 0401 and starting again at Serial Nos. beginning 0404
	39666	Idler Lever Spring	All other models
	202032	Idler Lever Spring	Use on units experiencing low RPM
3	28803	Nut	
4	38011	Idler Lever	
5	81392	Washer	
6	27229	Screw	
7	56461P	Shaft	Models through Serial No. 0107000541
	210186	Idler Shaft	Models starting Serial No. 0107000542
8	504082	Washer	Models starting Serial No. 0107000542
9	52549	Washer	Nylatron
10	23748	Retaining Ring	
11	38225P	Idler Pulley	
12	34565	Screw	Models through Serial No. 0204010658
13	201566P	Pump	
	201442P	Pump Assembly	Heavy duty
14	210202	Spring Clip	Models starting Serial No. 0204010659
15	38174	Agitate and Spin Belt	Models BWT820*N1102, BWT920*N1102, HWLX21*N1102, HWT021*M1102, HWT021*N1102, HWT111*M1102, HWT111*N1102, HWT121*M1102, HWT121*N1102, HWT210*M1102, HWT210*N1102, HWT220*M1102, HWT221*M1102, HWT221*N1102, HWT221*N1127, HWT821*N1102, HWT911*N1102, HWT921*N1102, HWT921*N1127, HWTB21*M1102, HWTB21*N1102, HWTF21*M1102, HWTF21*N1102, HWTR21*N1102, HWTT21*N1102, HWTX21*N1102, HWTY21*M1102, HWTY21*N1102, HWTZ21*M1102, HWTZ21*N1102, JWT810*N5400, SWT111*M1200, SWT111*M5412, SWT111*N5412, SWT111*N5417, SWT911*N5412 and SWTX21*N1127
	38749	Agitate and Spin Belt	Models HWT111*A3000, HWT111*C3000, HWT211*A3000, HWT211*C3000, SWT011*A3000, SWT011*A3022, SWT111*A1300, SWT111*A3000, SWT111*A3022, SWT111*M1300, SWT121*A3000, SWT211*A1300, SWT211*A3000, SWT211*A3022, SWT421*A3000, SWT421*A3022 and UWT011*A3022
	200923	Agitate and Spin Belt	Models HWT111*M3000, HWT211*M3000, HWT220*M3000, SWT011*A3062, SWT011*M3000, SWT011*M3022, SWT011*N3000, SWT011*N3022, SWT011*N3062, SWT111*M3000, SWT111*M3022, SWT111*N3000, SWT111*N3022, SWT211*A3062, SWT211*M3000, SWT211*M3022, SWT211*N3000, SWT211*N3022, SWT211*N3062, SWT421*A3028, SWT421*M3000, SWT421*M3022, SWT811*N3000, SWT811*N3022, SWT811*N3062, SWT911*N3000, SWT911*N3022, SWT911*N3028, SWT911*N3062, SWTA21*M3022, SWTX21*M3000, SWTX21*N3000, UWT011*A3022 and UWT011*M3022
	37820	Agitate and Spin Belt	All other models
16	37772	Washer	

* Add Letter To Designate Color. L - Almond Q - Bisque W - White

Agitator, Drive Bell, Hub and Lip Seal Kit and Washtub

All Models with the Letter "N" in the Eighth Character of the Model Number



TLW1483P_39202

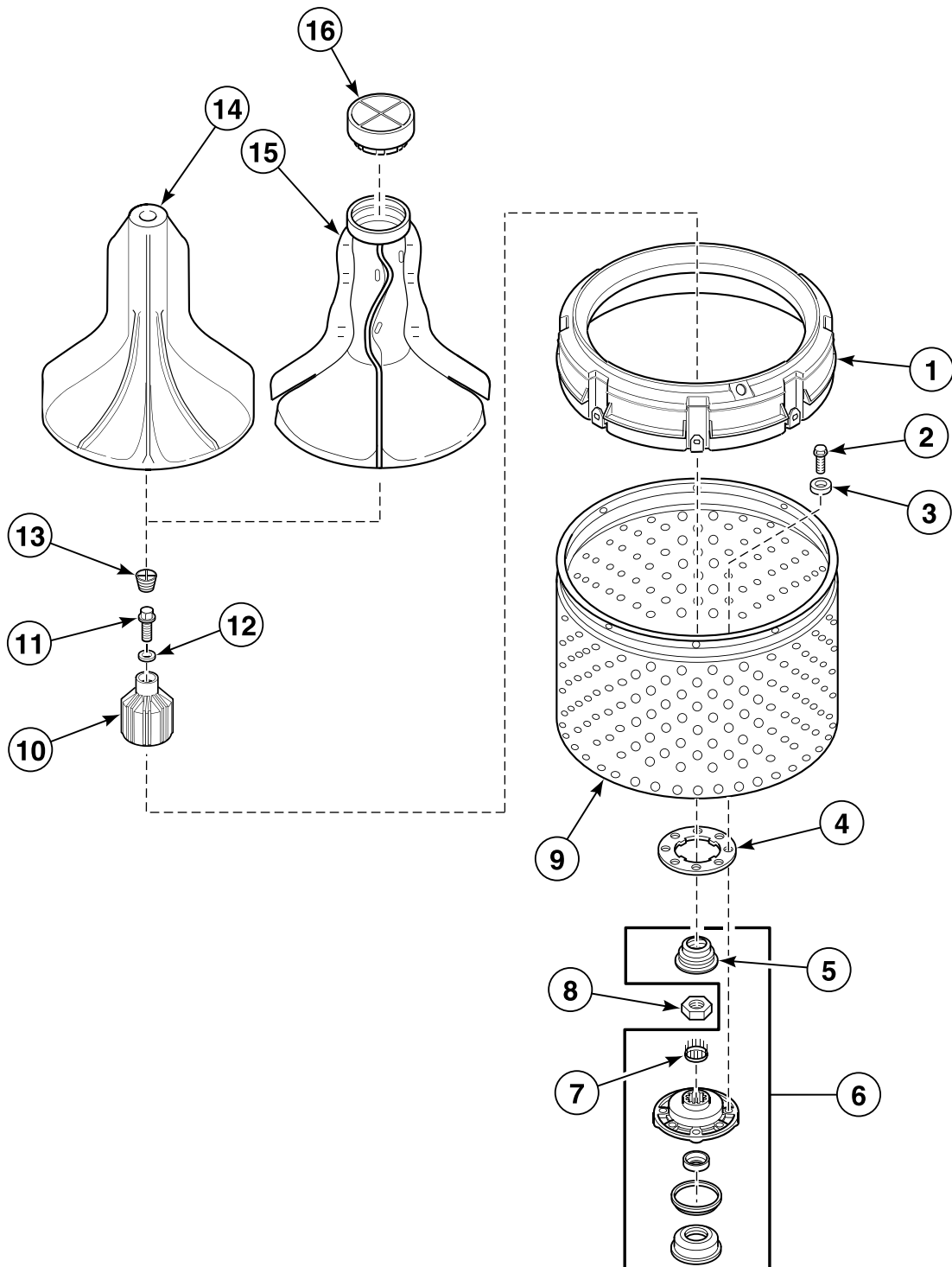
Agitator, Drive Bell, Hub and Lip Seal Kit and Washtub

REF	PART NO.	DESCRIPTION	COMMENTS
1	36507	Flex Vane Agitator	Models SWT011*N3062, SWT211*N3062, SWT811*N3062 and SWT911*N3062
	33174	Agitator	All other models
2	36515	Agitator Cap	
3	39837	Balance Ring Assembly	
4	27202	Screw	
5	28094	Washer	Rubber; Use with porcelain washtub
6	39252P	Tub Assembly	Blue porcelain; Models BWT820*N1102, BWT920*N1102, HWT210*N1102, JWT810*N3020, JWT810*N3050, JWT810*N5400, JWT910*N3020, JWT910*N3050, JWT910*N3069 and SWT910*N3050
	719P3	Washtub Kit	Stainless steel; Model HWLX21*N1102
	39387P	Tub Assembly	Stainless steel; All other models
7	39122	Washtub Gasket	
8	766P3A	Hub and Lip Seal Kit	DO NOT use any sealant other than 200996P Sealant; Includes item 12 and installation tool
	200996P	Sealant	Use with hub and lip seal kit
9	29728	Spline Insert	
10	29220	Nut	
11	36425	Bell and Transmission Tube Seal	
12	39508P	Drive Bell and Seal Kit	Includes items 11, 13 and 14
13	39432	Screw	
14	36511	Bell Plug	

* Add Letter To Designate Color. L - Almond Q - Bisque W - White

Agitator, Drive Bell, Hub and Seal Kit and Washtub

All Models without the Letter "N" in the Eighth Character of the Model Number



W398P_39202

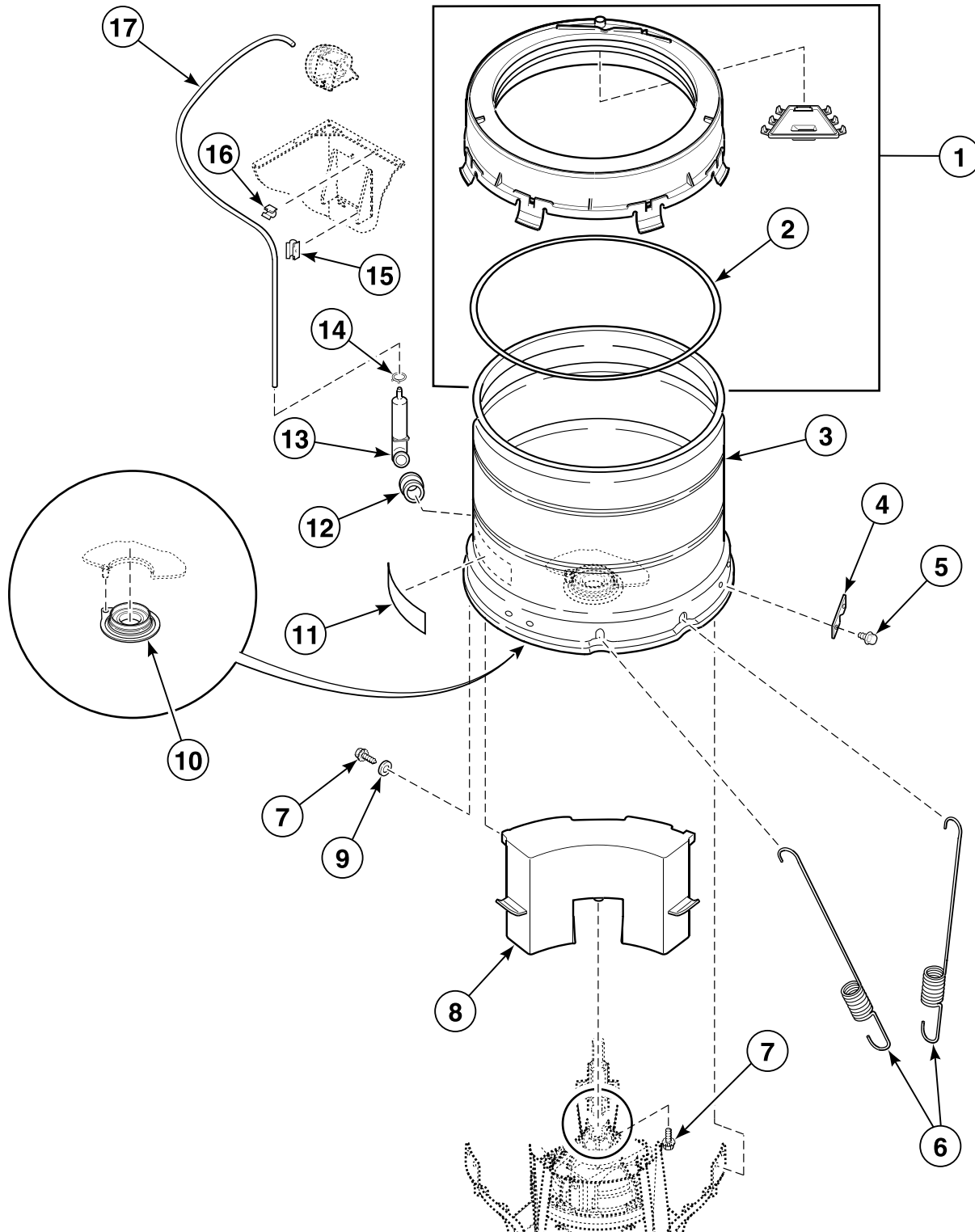
Agitator, Drive Bell, Hub and Seal Kit and Washtub

REF	PART NO.	DESCRIPTION	COMMENTS
1	39836	Balance Ring Assembly	
2	27202	Screw	
3	28094	Washer	Rubber; Use with porcelain washtub
4	39122	Washtub Gasket	
5	36425	Bell and Transmission Tube Seal	
	36765P	Grease	Use with 36425 Bell and Transmission Tube Seal
6	646P3	Hub and Seal Kit	Includes 38359 Tub Cover Gasket and item 10
7	29728	Spline Insert	
8	29220	Nut	
9	39252P	Tub Assembly	Blue porcelain; Models HWT210*A1102, HWT210*C1102, HWT210*M1102, HWT220*A1102, HWT220*M1102, HWT220*M3000 and HWT220*M3020
	39387P	Tub Assembly	Stainless steel; All other models
10	39508P	Drive Bell and Seal Kit	Replaces 36443P Drive Bell and Seal Kit; Includes items 5, 11 and 13
11	39432	Screw	
12	36472	O-Ring	
13	36511	Bell Plug	
14	33513	Agitator	Models HWT011*B3073, HWT021*A1102, HWT021*C1102, HWT111*A1102, HWT111*A3000, HWT111*B3069, HWT111*C1102, HWT111*C3000, HWT121*A1102, HWT121*C1102, HWT210*A1102, HWT210*C1102, HWT211*A3000, HWT211*B3020, HWT211*C1102, HWT211*C3000, HWT220*A1102, HWT220*C1102, HWT221*A1102, HWT221*C1102, HWT521*A1102, HWT521*C1102, HWT621*A1102, HWT621*C1102, HWT721*A1102, HWT721*C1102, SWT011*A3022, SWT011*A3050, SWT111*A1200, SWT111*A1300, SWT111*A3000, SWT111*A3022, SWT111*A3050, SWT111*A5412, SWT111*B3069, SWT121*A3000, SWT211*A1200, SWT211*A1300, SWT211*A3020, SWT211*A3022, SWT211*B3020, SWT421*A3000, SWT421*A3022, SWT421*A3050 and UWT011*A3022
15	36507	Flex Vane Agitator	Models SWT011*A3000, SWT011*A3062, SWT211*A3000 and SWT211*A3062 starting Serial No. 9805036741
	33174	Agitator	Models HWT021*M1102, HWT111*M1102, HWT111*M3000, HWT121*M1102, HWT210*M1102, HWT211*M3000, HWT211*M3020, HWT220*M1102, HWT220*M3000, HWT220*M3020, HWT221*M1102, HWTB21*M1102, HWTF21*M1102, HWTX21*M3020, HWTX21*M3022, HWTY21*M1102, HWTZ21*M1102, SWT011*A3028, SWT011*M3000, SWT011*M3022, SWT011*M3050, SWT111*A3028, SWT111*M1200, SWT111*M1300, SWT111*M3000, SWT111*M3022, SWT111*M3050, SWT111*M3069, SWT111*M5412, SWT121*M3000, SWT211*M3000, SWT211*M3020, SWT211*M3022, SWT421*A3028, SWT421*M3000, SWT421*M3022, SWT421*M3050, SWTA21*M3022, SWTA21*M3050, SWTF21*M3050, SWTX21*M3000, SWTX21*M3020, SWTX21*M3022, SWTX21*M3050, SWTX21*M3069, UWT011*A3025 and UWT011*M3022
16	36515	Agitator Cap	Use with 33174 Agitator and 36507 Flex Vane Agitator

* Add Letter To Designate Color. L - Almond Q - Bisque W - White

Outer Tub, Cover, Bearing and Seal Housing, Pressure Hose and Counterweight

All Models with the Letter "N" in the Eighth Character of the Model Number



TLW1464P_39202

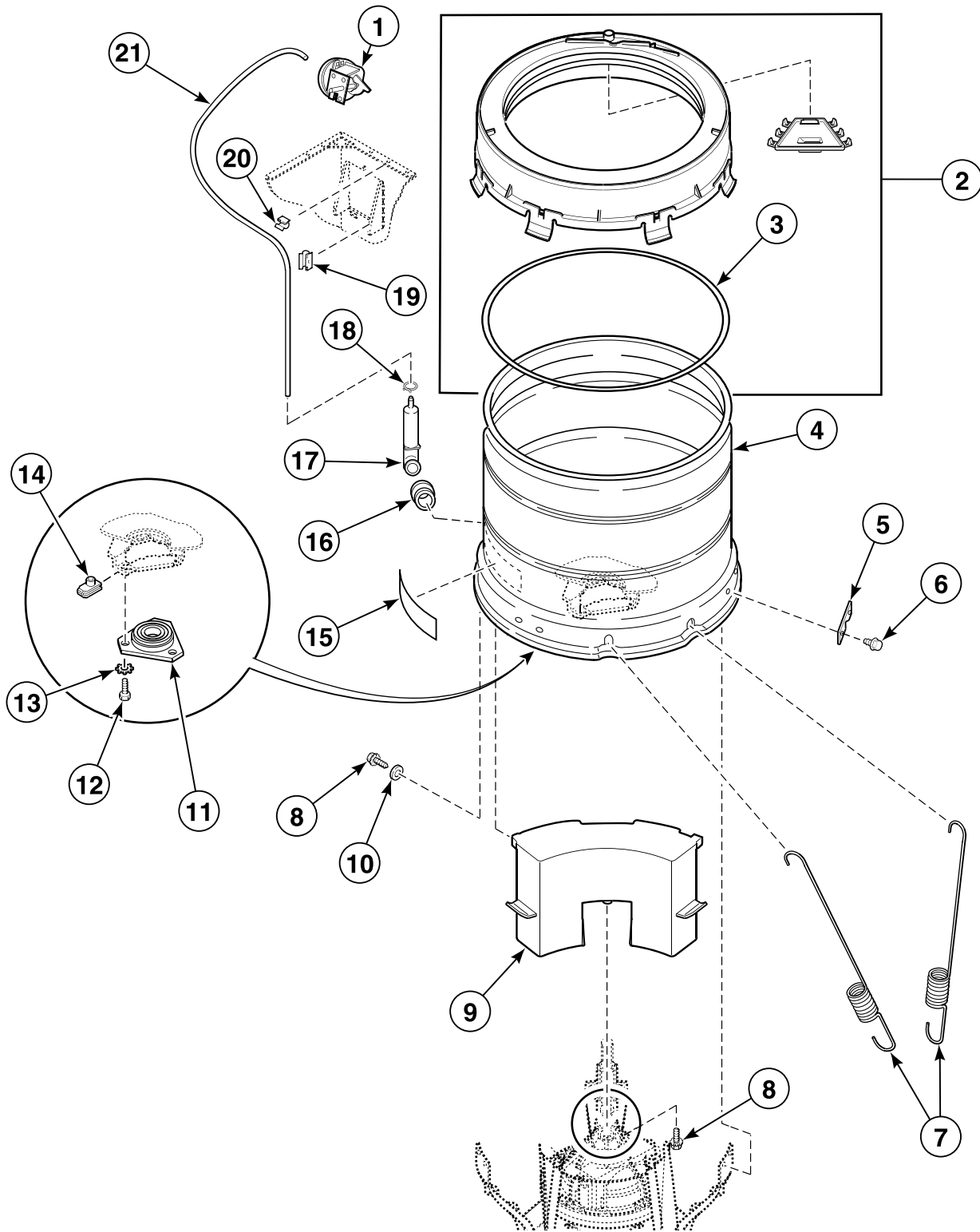
Outer Tub, Cover, Bearing and Seal Housing, Pressure Hose and Counterweight

REF	PART NO.	DESCRIPTION	COMMENTS
1	201430	Tub Cover and Gasket Assembly	Includes item 2; Models BWT820*N1102, BWT920*N1102, HWLX21*N1102, HWT821*N1102, HWT911*N1102, HWT911*N3020, HWT921*N1102, HWT921*N1127, HWTR21*N1102, HWTT21*N1102, HWTX21*N1102, HWTX21*N3020, HWTX21*N3022, HWTY21*N1102, HWTZ21*N1102, JWT810*N3020, JWT810*N3050, JWT810*N5400, JWT910*N3020, JWT910*N3050, JWT910*N3069, SWT811*N3000, SWT811*N3022, SWT811*N3050, SWT811*N3062, SWT910*N3050, SWT911*N3000, SWT911*N3020, SWT911*N3022, SWT911*N3028, SWT911*N3050, SWT911*N3062, SWT911*N3069, SWT911*N5412, SWTX21*N1127, SWTX21*N3000, SWTX21*N3020, SWTX21*N3022, SWTX21*N3050 and SWTX21*N3069
	38573	Tub Cover and Gasket Assembly	Includes item 2; All other models
2	38359	Tub Cover Gasket	
3	200511P	Outer Tub Assembly	Model HWLX21*N1102
	200510P	Outer Tub Assembly	All other models
	636P3	Outer Tub Flange Kit	Use to replace outer tub flange due to flange damage or corrosion
4	27926	Leg Plate	
5	35369	Screw	
6	37575	Leg Spring	Model HWLX21*N1102
	37576	Leg Spring	All other models
7	39566	Screw	
8	38770	Counterweight Assembly	Models HWTX21*N3020, HWTX21*N3022, SWTA21*N3050, SWTF21*N3050, SWTX21*N3000, SWTX21*N3020, SWTX21*N3022, SWTX21*N3050 and SWTX21*N3069
	38769	Counterweight Assembly	All other models
9	39249	Washer	
10	200512	Bearing and Seal Housing	Included in 766P3A Hub and Lip Seal Kit
11	500314	Warning Label	Models with suffix numbers 1102
	502506	Pinched Fingers Label	Models HWT211*N3020, HWT911*N3020, HWTX21*N3020, HWTX21*N3022, JWT810*N3020, JWT910*N3020, JWT910*N3069, SWT111*N3069, SWT211*N3020, SWT911*N3020, SWT911*N3069, SWTX21*N3020 and SWTX21*N3069
	500049	Warning Label	All other models
12	29175	Grommet	
13	30907	Pressure Bulb	
14	39282	Hose Clamp	
15	36985	Hose Clip	
16	21036	Cable Clip	
17	39124	Tubing	Models SWT111*N3028, SWTA21*N3050, SWTF21*N3050, SWTX21*N1127, SWTX21*N3000 and SWTX21*N3050
	39125	Tubing	All other models

* Add Letter To Designate Color. L - Almond Q - Bisque W - White

Outer Tub, Cover, Bearing Housing, Pressure Hose and Counterweight

All Models without the Letter "N" in the Eighth Character of the Model Number



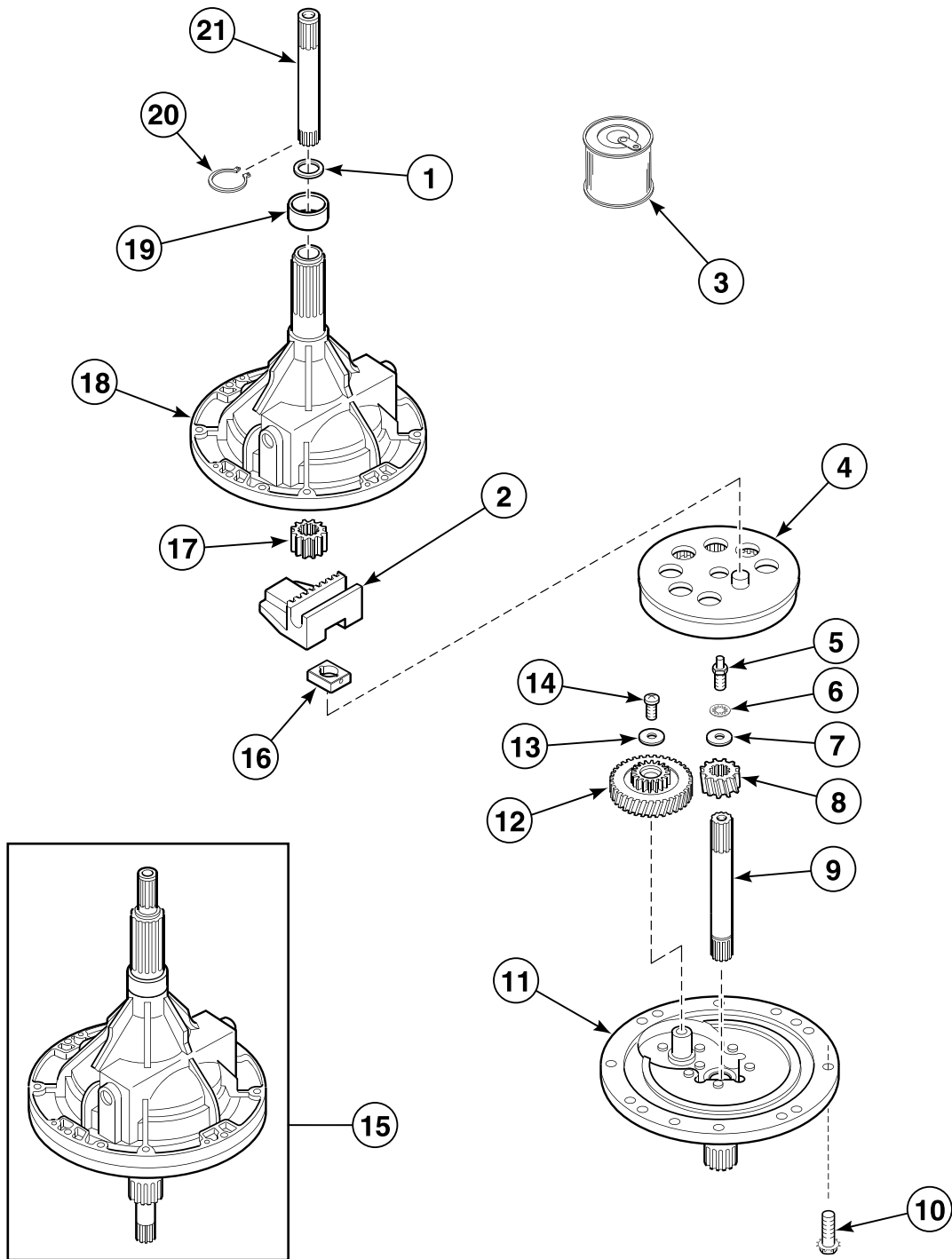
TLW1624P_39202

Outer Tub, Cover, Bearing Housing, Pressure Hose and Counterweight

REF	PART NO.	DESCRIPTION	COMMENTS
1	35889P	Pressure Switch	
2	201430	Tub Cover and Gasket Assembly	Includes item 3; Models HWTX21*M3020, HWTX21*M3022, HWTY21*M1102, HWTZ21*M1102, SWTX21*M3000, SWTX21*M3020, SWTX21*M3022, SWTX21*M3050 and SWTX21*M3069
	38573	Tub Cover and Gasket Assembly	Includes item 3; All other models
3	38359	Tub Cover Gasket	
4	37981P	Outer Tub Kit	
	636P3	Outer Tub Flange Kit	Use to replace outer tub flange due to flange damage or corrosion
5	27926	Leg Plate	
6	35369	Screw	
7	37576	Leg Spring	
8	39566	Screw	
9	38770	Counterweight Assembly	Models HWT011*B3073, HWT111*A3000, HWT111*B3069, HWT111*C3000, HWT211*A3000, HWT211*B3020, HWT211*C3000, HWTX21*M3020, HWTX21*M3022, SWT011*A3000, SWT011*A3050, SWT111*A1300, SWT111*A3000, SWT111*A3050, SWT111*A5412, SWT111*B3069, SWT121*A3000, SWT211*A1300, SWT211*A3000, SWT211*B3020, SWT421*A3000, SWT421*A3050, SWTA21*M3022, SWTA21*M3050, SWTF21*M3050, SWTX21*M3000, SWTX21*M3020, SWTX21*M3022, SWTX21*M3050 and SWTX21*M3069
	38769	Counterweight Assembly	All other models
10	39249	Washer	
11	27182	Bearing Housing Assembly	
12	M400057	Screw	
13	202010	Washer	
14	27222	Nut	
15	500314	Warning Label	Models with suffix numbers 1102
	502506	Pinched Fingers Label	Models HWT011*B3073, HWT111*B3069, HWT211*B3020, HWT211*M3020, HWT220*M3020, SWT111*B3069, SWT111*M3069, SWT211*A3020, SWT211*B3020 and SWT211*M3020
	500049	Warning Label	All other models
16	29175	Grommet	
17	30907	Pressure Bulb	
18	39282	Hose Clamp	
19	36985	Hose Clip	
20	21036	Cable Clip	
21	39124	Tubing	Models HWT021*A1102, HWT021*C1102, HWT111*A1102, HWT111*C1102, HWT210*A1102, HWT210*C1102, HWT211*A3000, HWT211*C3000, HWT220*A1102, HWT220*C1102, HWT221*A1102, HWT221*C1102, HWTY21*M1102, HWTZ21*M1102, SWT011*A3000, SWT011*A3022, SWT011*A3050, SWT111*A1200, SWT111*A1300, SWT111*A3000, SWT111*A3022, SWT111*A3028, SWT111*A3050, SWT111*A5412, SWT121*A3000, SWT211*A1200, SWT211*A1300, SWT211*A3000, SWT211*A3022, SWTA21*M3022, SWTA21*M3050, SWTF21*M3050, SWTX21*M3000, SWTX21*M3050 and UWT011*A3022
	39125	Tubing	All other models

* Add Letter To Designate Color. L - Almond Q - Bisque W - White

Transmission Assembly



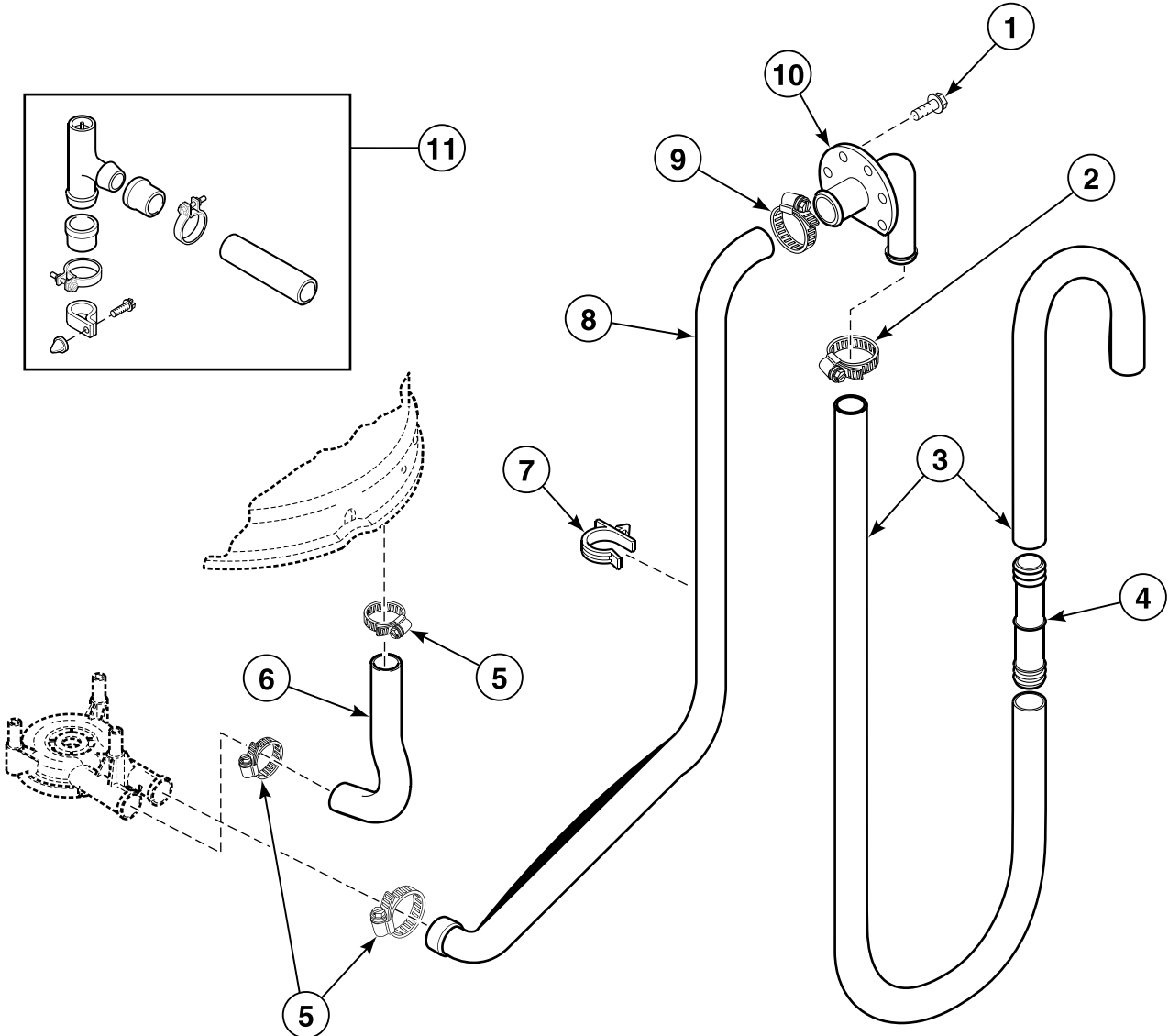
TLW1467P_39202

Transmission Assembly

REF	PART NO.	DESCRIPTION	COMMENTS
	27604P	Anti-Seize Compound	Apply to smooth area of both the upper and lower transmission tube that will be contacting the upper and lower bearings
	37577P	Transmission Sealant	Use between transmission case and cover
1	35092	Washer	
2	201664	Rack	
3	27243P	Transmission Oil	1 fill
4	26577	Gear and Stud Assembly	
5	201773	Screw	
6	21456	Washer	Models through Serial No. 9712011370
7	26509	Washer	
8	37405	Drive Pinion	All models with the letter "M" or "N" in the 8th character of the model number; Models SWT011*A3028, SWT111*A3028, SWT421*A3028 and UWT011*A3025; Models SWT011*A3062 and SWT211*A3062 starting Serial No. 0011003354
	37406P	Drive Pinion	All other models
9	38268P	Input Shaft	
10	32814	Screw	
11	37471	Transmission Cover Assembly	
12	37404P	Reduction Gear	All models with the letter "M" or "N" in the 8th character of the model number; Models SWT011*A3028, SWT111*A3028, SWT421*A3028 and UWT011*A3025; Models SWT011*A3062 and SWT211*A3062 starting Serial No. 0011003354
	37403P	Reduction Gear	All other models
13	29260	Washer	
14	29273	Screw	
15	38165P	Transmission Assembly	
16	26493	Slide	
17	27003	Agitator Pinion	
18	33223P	Transmission Case Assembly	
19	201212	Hub Spacer	All models with the letter "N" in the 8th character of the model number; Included in 766P3A Hub and Lip Seal Kit
20	27197	Retaining Ring	
21	36570P	Output Shaft	

* Add Letter To Designate Color. L - Almond Q - Bisque W - White

Hoses and Siphon Break Kit



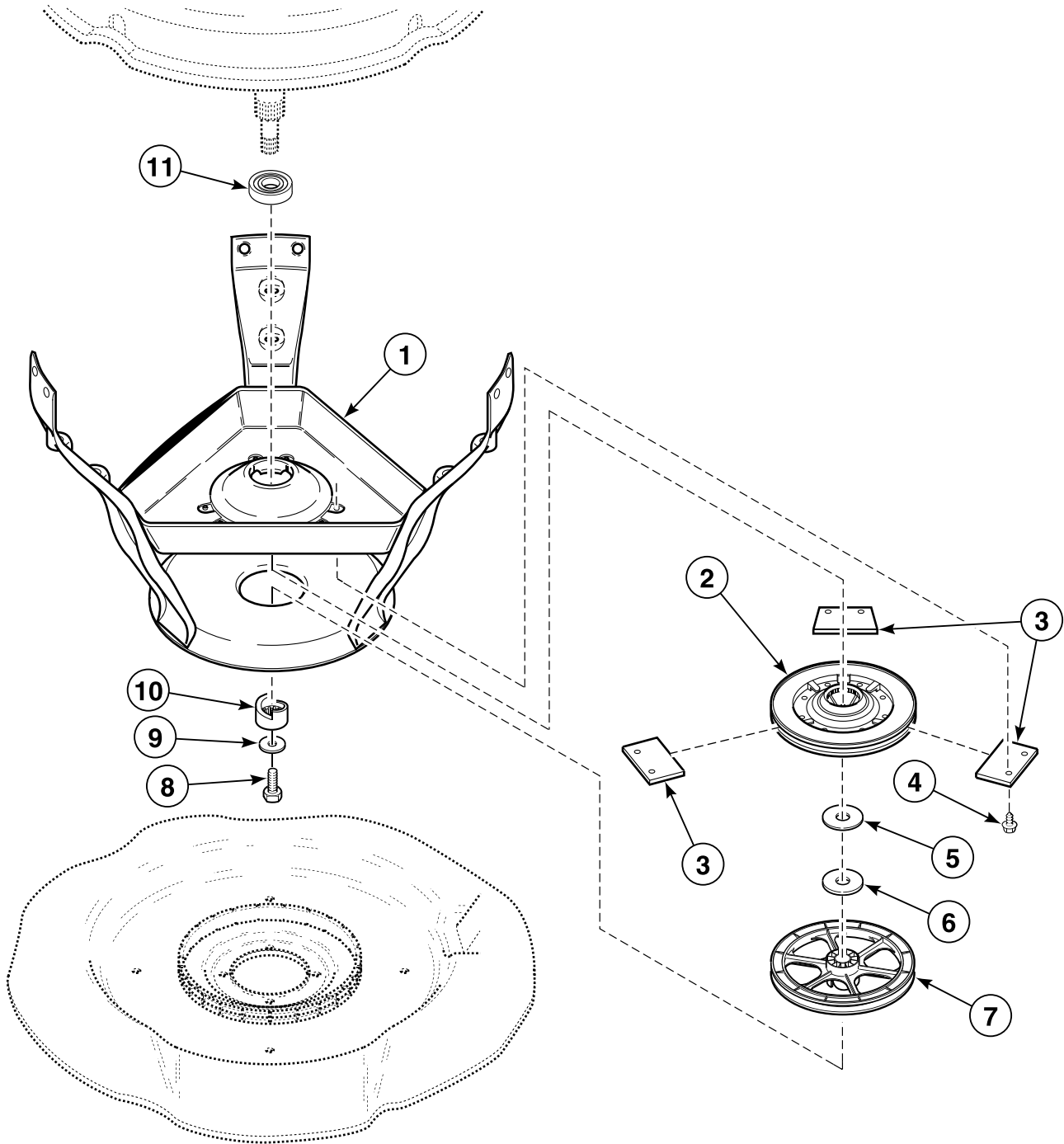
W354P_39202

Hoses and Siphon Break Kit

REF	PART NO.	DESCRIPTION	COMMENTS
1	52909	Screw	
2	20211	Hose Clamp	
3	28293	Drain Hose	
4	25863	Hose Coupler	If drain hose must be shortened, cut hose between molded end and molded elbow; Use 1 hose coupler to splice hose
5	36802	Hose Clamp	
6	38351	Tub-to-Pump Hose	
7	39177	Hose Retainer Clip	
8	38273	Pump-to-Drain Elbow Hose	
9	20391	Hose Clamp	
10	35766	Drain Hose Elbow	Models HWTX21*N3020, HWTX21*N3022, SWTA21*N3050, SWTF21*N3050, SWTX21*N3000, SWTX21*N3020, SWTX21*N3022, SWTX21*N3050 and SWTX21*N3069 starting Serial No. 0409013872
	36990	Drain Hose Elbow	All other models
11	562P3	Siphon Break Kit	Siphon break kit must be installed in drain hose if drain receptacle is lower than cabinet top of washer

* Add Letter To Designate Color. L - Almond Q - Bisque W - White

Weldment and Bearing Assembly, Brake and Pulley



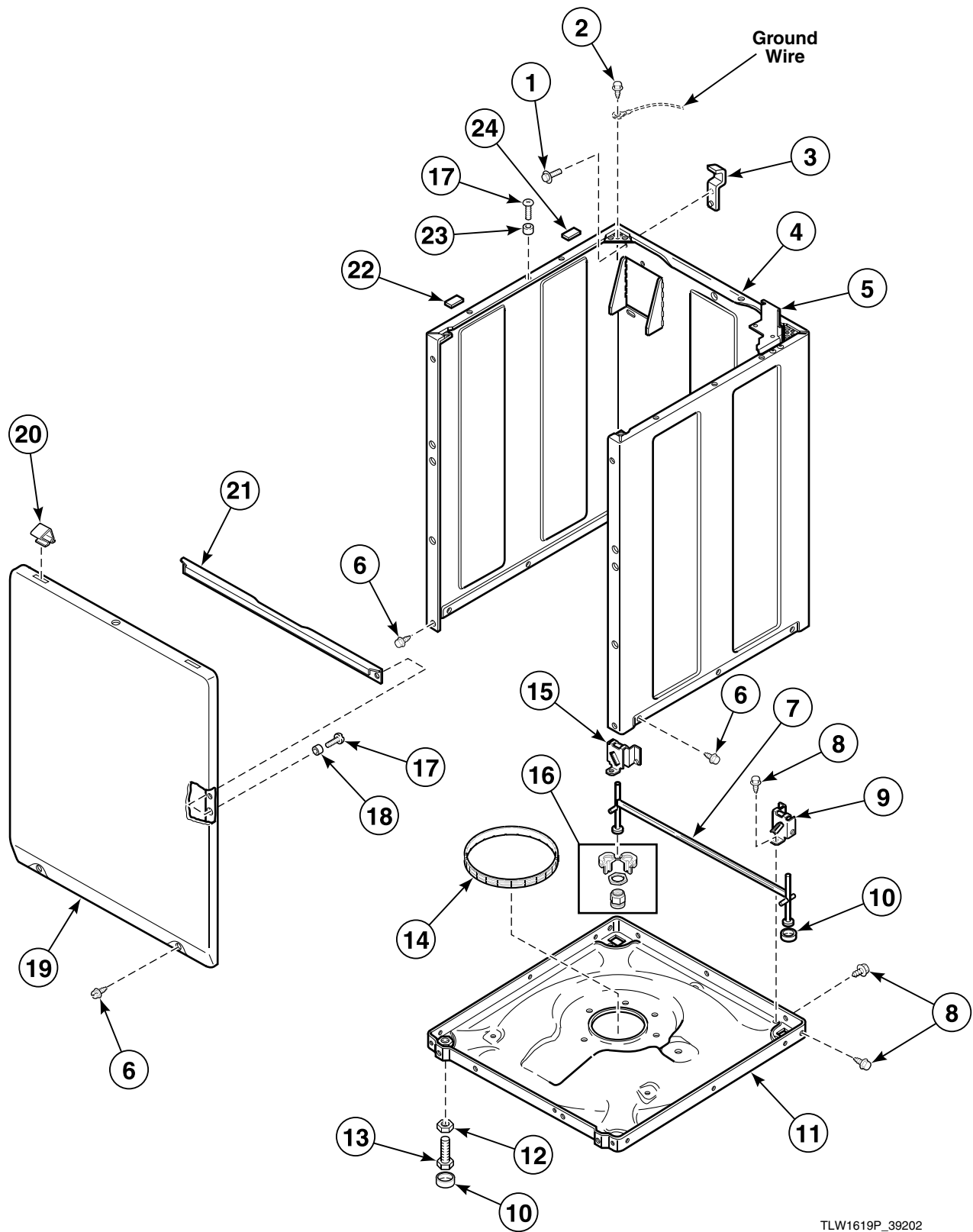
W333P_39202

Weldment and Bearing Assembly, Brake and Pulley

REF	PART NO.	DESCRIPTION	COMMENTS
1	39253	Weldment and Bearing Assembly	Model HWLX21*N1102
	39254	Weldment and Bearing Assembly	All other models
2	38505P	Brake Kit	
3	735P3	Brake Pad Kit	Includes 3 pads
	26594P	Silicone Grease	Apply small amount to each new brake pad
4	39739	Screw	All models with the letter "M" or "N" in the 8th character of the model number; Models SWT011*A3028, SWT111*A3028, SWT421*A3028 and UWT011*A3025; Models SWT011*A3062 and SWT211*A3062 starting Serial No. 0011003354
	37836	Screw	All other models
5	35535	Washer	Thin
6	27015	Washer	Thick
7	38007	Pulley Assembly	Models HWT021*A1102, HWT021*C1102, HWT111*A1102, HWT111*C1102, HWT121*A1102, HWT121*C1102, HWT210*A1102, HWT210*C1102, HWT211*C1102, HWT220*A1102, HWT220*C1102, HWT221*A1102, HWT221*C1102, HWT521*A1102, HWT521*C1102, HWT621*A1102, HWT621*C1102, HWT721*A1102, HWT721*C1102, SWT111*A1200, SWT111*A5412 and SWT211*A1200
	38143	Pulley	All other models
8	27220	Screw	
9	26509	Washer	
10	38008	Helix	
11	28944RP	Upper or Lower Bearing	

* Add Letter To Designate Color. L - Almond Q - Bisque W - White

Front Panel, Base and Cabinet



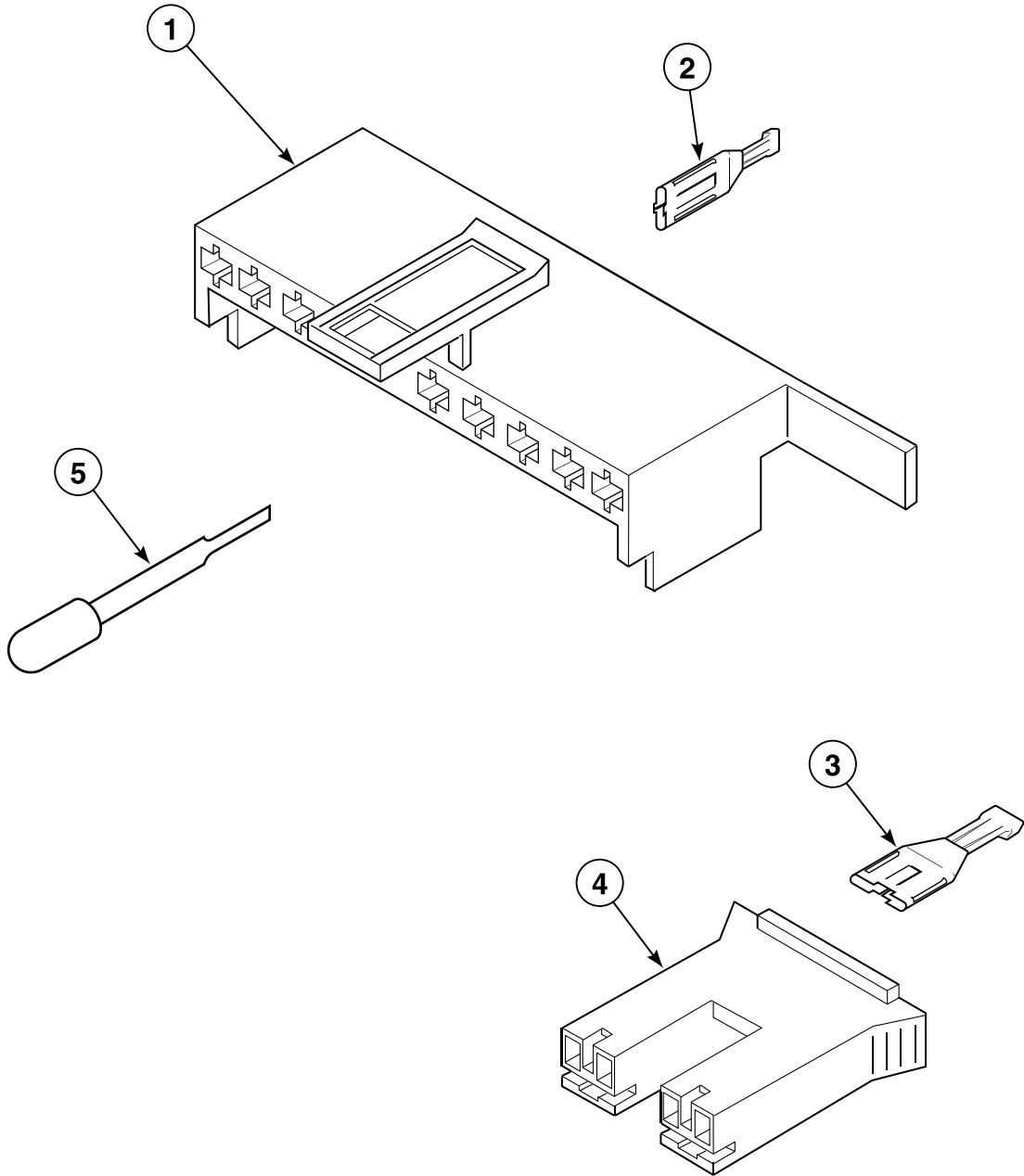
TLW1619P_39202

Front Panel, Base and Cabinet

REF	PART NO.	DESCRIPTION	COMMENTS
1	51780	Screw	
2	52909	Screw	
3	27103	Hold-Down Lug Hinge	
4	38612WP	Service Cabinet Kit	White
	38612LP	Service Cabinet Kit	Almond
	38612QP	Service Cabinet Kit	Bisque
5	35867	Meter Case Mounting Bracket Assembly	
6	27196	Screw	Hex head
	35527	Screw	Torx head; For added security
7	34443	Leg and Stabilizer Assembly	
8	35148	Screw	
9	36036	Bracket	Right
10	34318	Rubber Foot	
11	39788	Base Assembly	
12	21899	Nut	
13	34319	Leveling Leg	
14	37937	Friction Ring	
15	36037	Bracket	Left
16	566P3	Adjustable Leg Extension Kit	Provides adjustment capabilities to rear self-leveling legs
17	39733	Screw	
18	28102	Panel Locator	
19	38335WP	Front Panel	White; Includes items 19, 20 and attaching hardware
	38335LP	Front Panel	Almond; Includes items 19, 20 and attaching hardware
	38335QP	Front Panel	Bisque; Includes items 19, 20 and attaching hardware
20	35865	Hold-down Clip	
21	35097	Front Panel Brace	
22	56128	Bumper Pad	
23	56079	Panel Locator	
24	36226	Bumper Pad	

* Add Letter To Designate Color. L - Almond Q - Bisque W - White

Mixing Valve and Motor Disconnect Blocks, Terminals and Terminal Extractor Tool

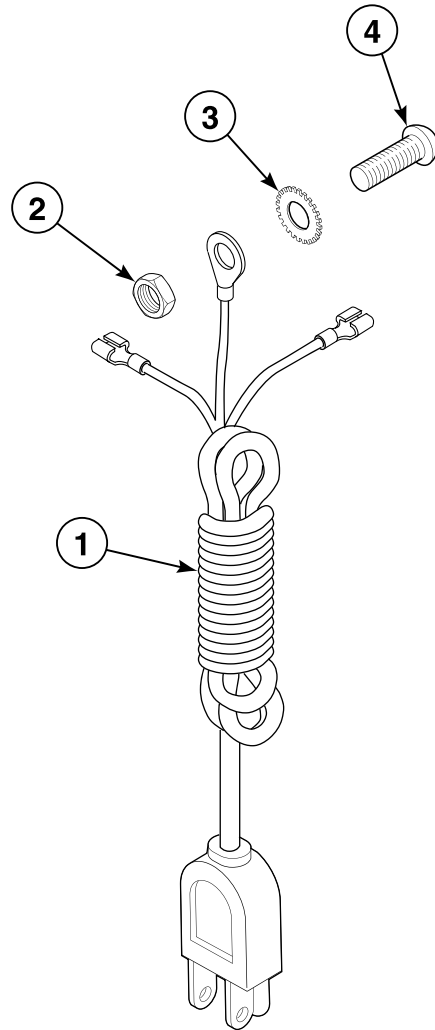


W134PZ3A_39202

Mixing Valve and Motor Disconnect Blocks, Terminals and Terminal Extractor Tool

REF	PART NO.	DESCRIPTION	COMMENTS
1	34677	10 Circuit Plug	Motor
2	00188	Female Terminal	For 1 or 2 wire application
3	00121	Female Spade Terminal	1/4 inch
4	34675	Mixing Valve Plug	Natural
	34676	Mixing Valve Plug	Red
5	283P4	Terminal Extractor Tool	

Power Cord



TLW1089P_39202

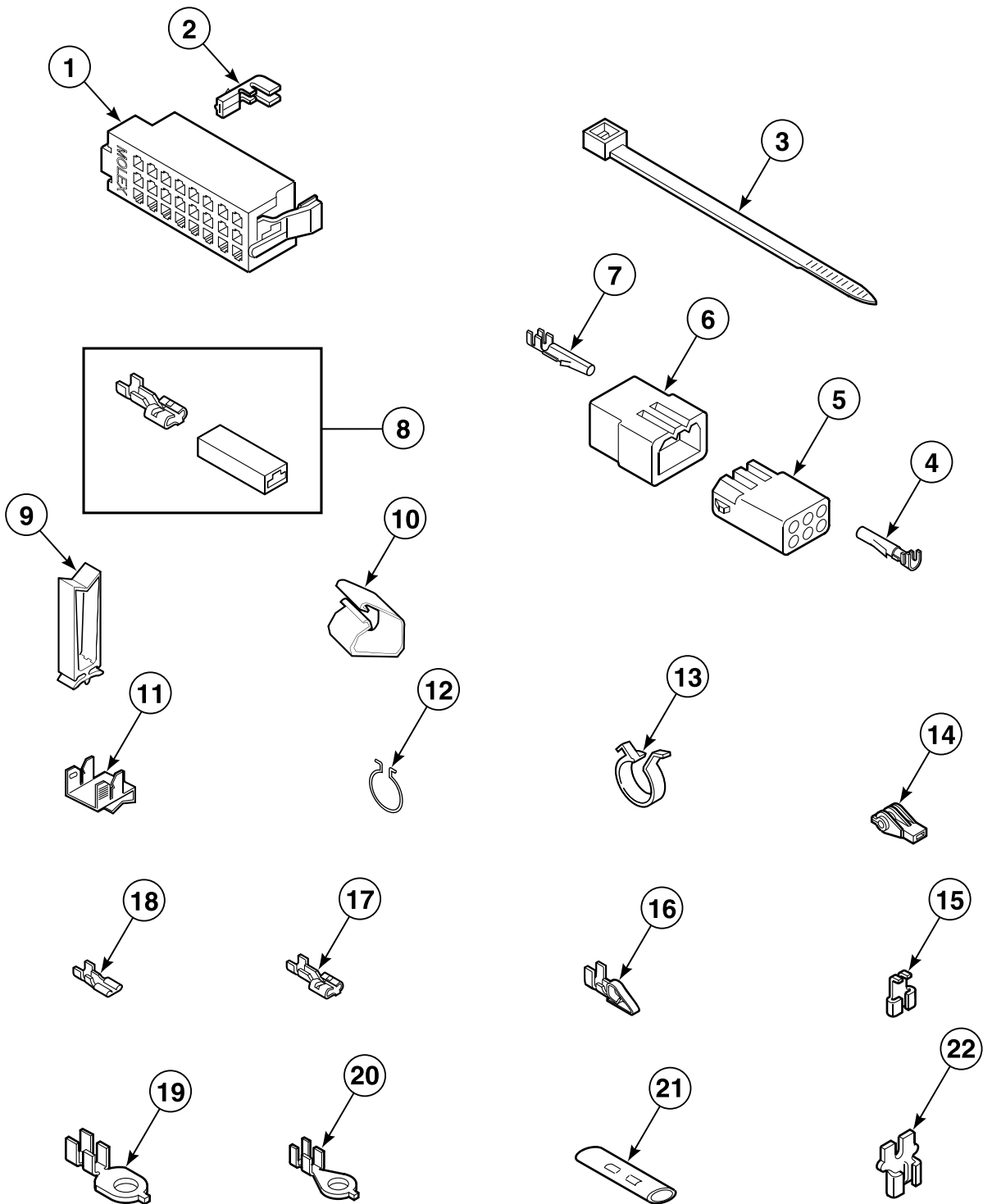
Power Cord

REF	PART NO.	DESCRIPTION	COMMENTS
1	N/A	Cord and Terminal Assembly	Models HWT011*B3073, HWT111*B3069, SWT111*B3069, SWT111*M3069 and SWT111*N3069
	38362	Lead-In Cord	Models HWT111*A3000, HWT111*C3000, HWT111*M3000, HWT211*A3000, HWT211*C3000, HWT211*M3000, HWT220*M3000, HWTX21*M3022, HWTX21*N3022, SWT011*A3000, SWT011*A3022, SWT011*A3062, SWT011*M3000, SWT011*M3022, SWT011*N3000, SWT011*N3022, SWT011*N3062, SWT111*A3000, SWT111*A3022, SWT111*M3000, SWT111*M3022, SWT111*N3000, SWT111*N3022, SWT121*A3000, SWT121*M3000, SWT211*A3000, SWT211*A3022, SWT211*A3062, SWT211*M3000, SWT211*M3022, SWT211*N3000, SWT211*N3022, SWT211*N3062, SWT421*A3000, SWT421*A3022, SWT421*M3000, SWT421*M3022, SWT811*N3000, SWT811*N3022, SWT811*N3062, SWT911*N3000, SWT911*N3022, SWT911*N3062, SWTA21*M3022, SWTX21*M3000, SWTX21*M3022, SWTX21*N3000, SWTX21*N3022, UWT011*A3022 and UWT011*M3022
	38363	Lead-In Cord	Models JWT810*N5400, SWT111*A5412, SWT111*M5412, SWT111*N5412, SWT111*N5417 and SWT911*N5412
	N/A	Lead-In Cord	Models HWT211*B3020 and SWT211*B3020
	N/A	Cord Assembly	Models HWT211*M3020, HWT211*N3020, HWT220*M3020, SWT211*A3020, SWT211*M3020 and SWT211*N3020
	39404	Lead-In Cord	Models HWT021*A1102, HWT021*C1102, HWT111*A1102, HWT111*C1102, HWT111*M1102, HWT111*N1102, HWT121*A1102, HWT121*C1102, HWT121*M1102, HWT121*N1102, HWT210*A1102, HWT210*C1102, HWT210*M1102, HWT210*N1102, HWT211*C1102, HWT220*A1102, HWT220*C1102, HWT220*M1102, HWT221*A1102, HWT221*C1102, HWT221*M1102, HWT221*N1102, SWT111*A1200, SWT111*A1300, SWT111*M1200, SWT111*M1300, SWT211*A1200 and SWT211*A1300
	34458	Lead-In Cord	Models BWT820*N1102, BWT920*N1102, HWLX21*N1102, HWT021*M1102, HWT021*N1102, HWT521*A1102, HWT521*C1102, HWT621*A1102, HWT621*C1102, HWT721*A1102, HWT721*C1102, HWT821*N1102, HWT911*N1102, HWT921*N1102, HWTB21*M1102, HWTB21*N1102, HWTF21*M1102, HWTF21*N1102, HWTR21*N1102, HWTT21*N1102, HWTX21*N1102, HWTY21*M1102, HWTY21*N1102, HWTZ21*M1102 and HWTZ21*N1102
	39931	Power Cord Assembly	Models JWT810*N3050, JWT910*N3050, SWT011*A3050, SWT011*M3050, SWT011*N3050, SWT111*A3050, SWT111*M3050, SWT111*N3050, SWT211*N3050, SWT421*A3050, SWT421*M3050, SWT811*N3050, SWT910*N3050, SWT911*N3050, SWTA21*M3050, SWTA21*N3050, SWTF21*M3050, SWTF21*N3050, SWTX21*M3050 and SWTX21*N3050
	39984	Power Cord Assembly	Models SWT011*A3028, SWT011*N3028, SWT111*A3028, SWT111*N3028, SWT421*A3028, SWT911*N3028 and UWT011*A3025
	39925	Power Cord Assembly	Models JWT910*N3069, SWT911*N3069, SWTX21*M3069 and SWTX21*N3069
	39926	Lead-In Cord	Models HWT911*N3020, HWTX21*M3020, HWTX21*N3020, JWT810*N3020, JWT910*N3020, SWT911*N3020, SWTX21*M3020 and SWTX21*N3020
	201439	Lead-In Cord	Models HWT221*N1127, HWT921*N1127 and SWTX21*N1127
2	03673	Nut	
3	21735	Washer	
4	20267	Screw	

* Add Letter To Designate Color. L - Almond Q - Bisque W - White

N/A = Part no longer available

Terminals



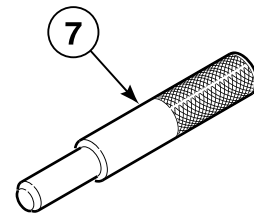
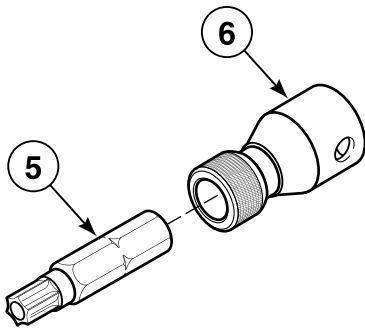
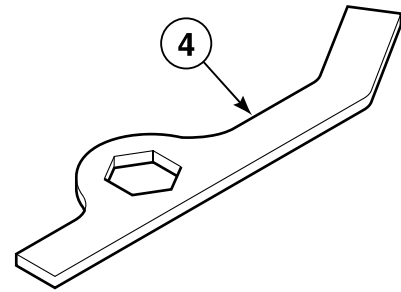
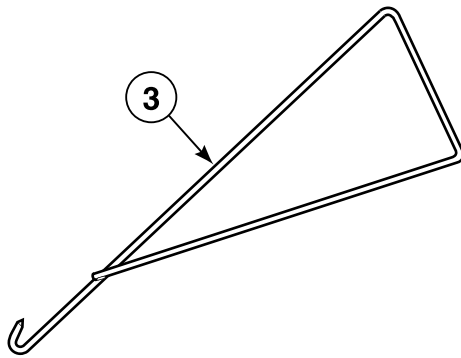
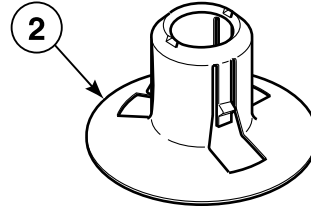
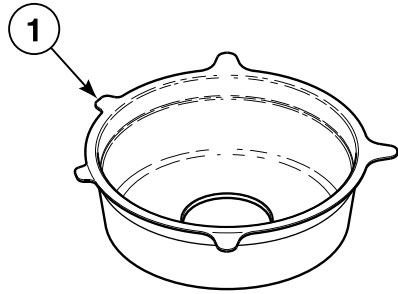
TLW1257P_39202

Terminals

REF	PART NO.	DESCRIPTION	COMMENTS
1	32746	24 Position Housing	Right; Black
	34123	24 Position Housing	Left; White
2	00188	Female Terminal	Used for 1 or 2 wire application
3	55881	Harness Strap	
4	00117	Female Pin Terminal	
5	26301	1 Circuit Receptacle	
	26708	6 Circuit Receptacle	
	26163	9 Circuit Receptacle	
6	26302	1 Circuit Plug	
	23041	6 Circuit Plug	
	23033	9 Circuit Plug	
7	00116	Male Pin Terminal	
8	00359	Ultra Pod Terminal	
9	36274	Wire Clip	
10	N/A	Harness Holder Clip	
11	00161	Grounding Clip	
12	51291	Wire Clip	
13	504034	Wire Clip	
14	70210	Insulator	
15	00120	Female Flag Terminal	
16	N/A	Single Crimp Terminal	Female; 1/4 inch
17	00223	Female Spade Terminal	Large spade
18	00112	Female Spade Terminal	Small spade
19	00113	Ring Terminal	1/4 inch ring
20	00110	Ring Terminal	Small shank
21	21091	Connector	
22	F140562	Terminal Adapter	

N/A = Part no longer available

Shipping Materials and Special Tools

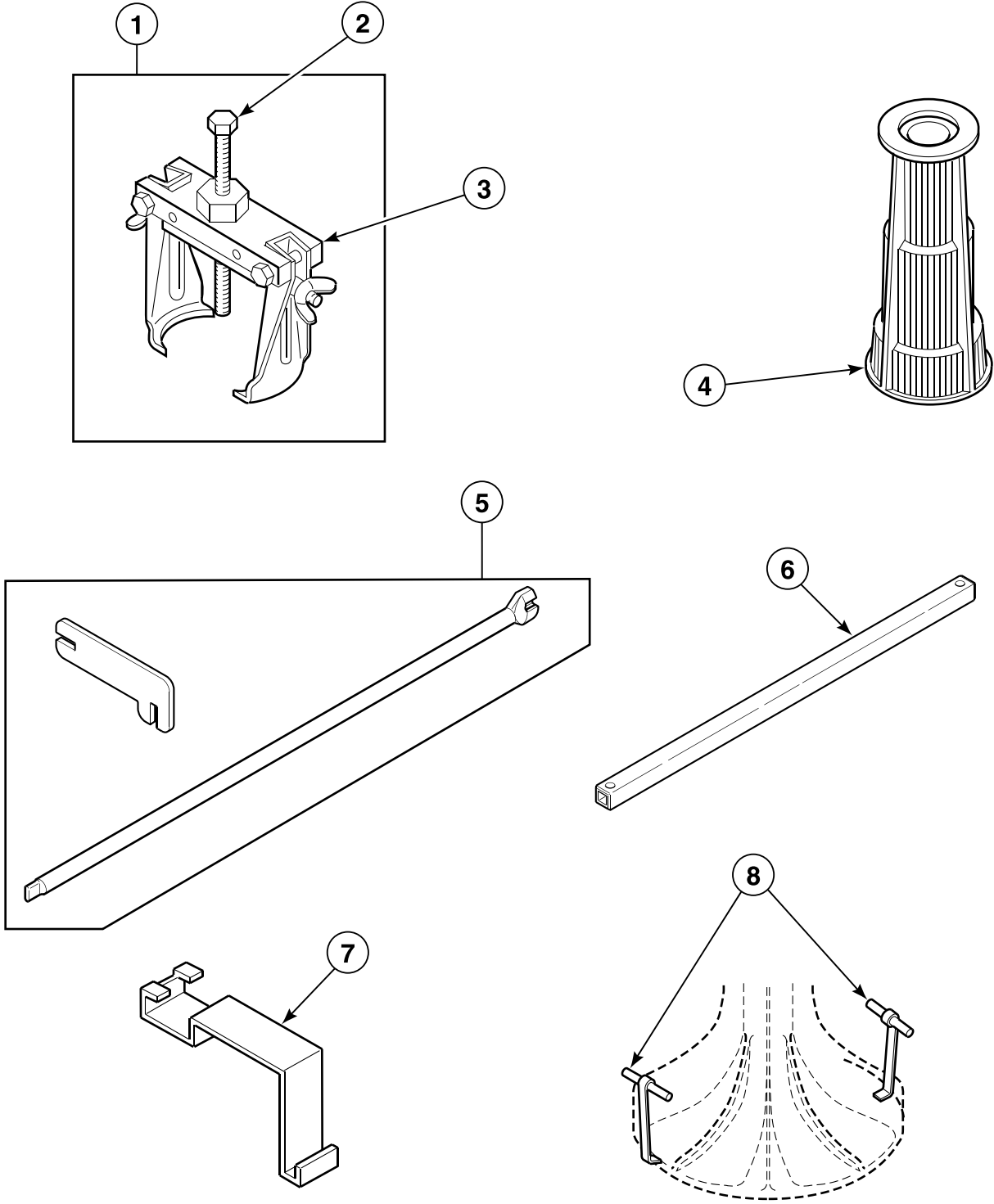


TLW1000P_39202

Shipping Materials and Special Tools

REF	PART NO.	DESCRIPTION	COMMENTS
1	200552	Shipping Brace	Install whenever moving washer; Remove before use
2	38149	Shipping Plug	Install whenever moving washer; Remove before use
3	321P4	Spring Hook Tool	For removal of centering springs from outer tub
4	306P4	Hex Wrench Tool	For removal of locknut from washtub hub
5	281P4	Torx Bit	For removal and installation of control hood security screws
	282P4	Torx Bit	For removal and installation of front panel security screws
6	24161	Bit Holder	3/8 inch drive
7	305P4	Transmission Pin Tool	Use pin tools in place of dowel pins when reassembling transmission cover and case; 2 required

Special Tools

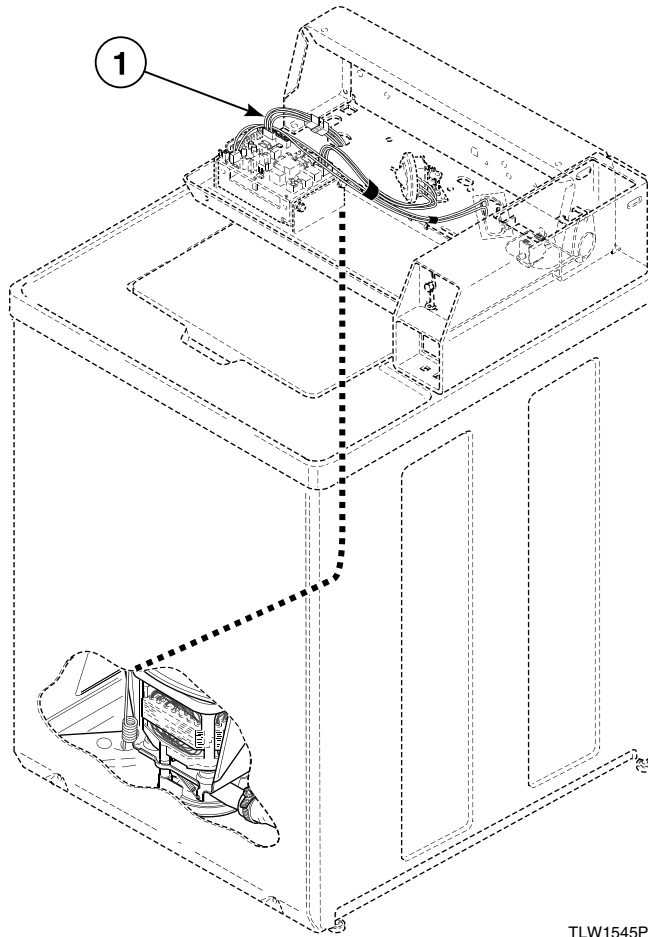


TLW1613P_39202

Special Tools

REF	PART NO.	DESCRIPTION	COMMENTS
1	294P4	Agitator Drive Bell Puller	For removal and installation of drive bell to transmission shaft
2	294P4B	Bolt	To update item 1
3	294P4A	Drive Bell Puller Arm	To update item 1
4	293P4	Drive Bell Seal Tool	For installation of 36425 Bell and Transmission Tube Seal
5	CK096	Mounting Tool Kit	Use to install and remove electronic coin drops
6	310P4	Ratchet Extension Tool	1/4 inch; Use to install and remove non-electronic coin drops
7	273P4	Tub Cover Removal Tool	Use to install 38359 Tub Cover Gasket in outer tub cover
8	254P4P	Agitator Hook	Use to remove agitator from drive bell; Set of 2

Wire Harnesses and Wires (Drawing 1 of 2)



TLW1545P_39202

Wire Harnesses and Wires (Drawing 1 of 2)

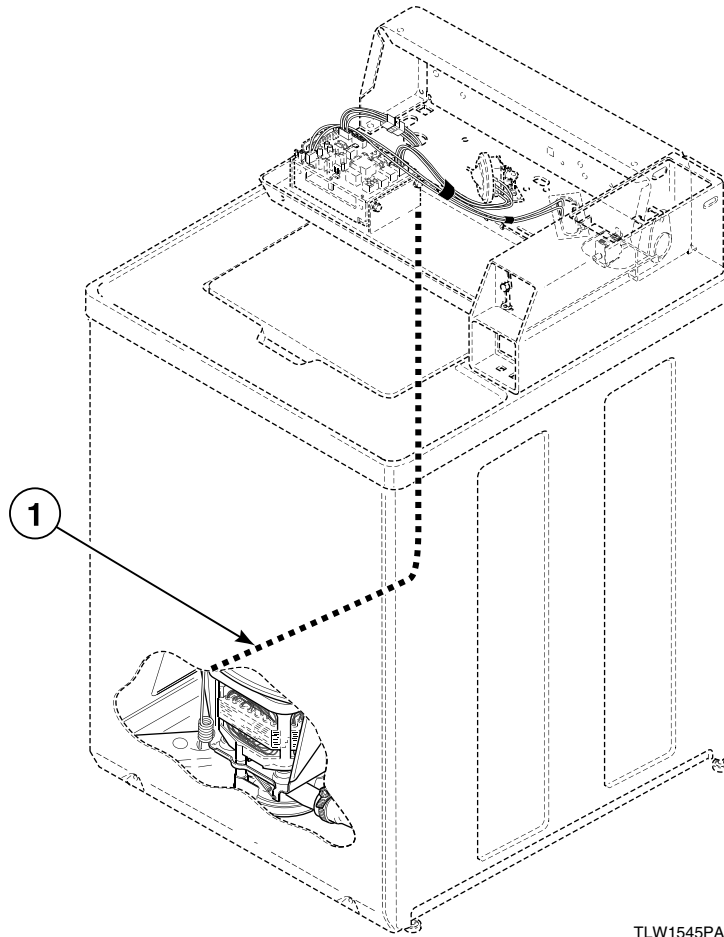
REF	PART NO.	DESCRIPTION	COMMENTS
	45001	18 Gauge Wire	Black; Order wire by foot and terminals and connectors as required
	45380	12 Gauge Wire	Orange; Order wire by foot and terminals and connectors as required
1	210061	Wire Harness Assembly	Hood; Models HWTB21*M1102, HWTB21*N1102, HWTF21*M1102, HWTF21*N1102, HWTR21*N1102, HWTT21*N1102, HWTX21*N1102, HWTY21*M1102, HWTY21*N1102, HWTZ21*M1102, HWTZ21*N1102 and SWTX21*N1127
	210178P	Harness Assembly	Hood; Models HWTX21*M3020, HWTX21*M3022, HWTX21*N3020, HWTX21*N3022, SWTA21*M3022, SWTA21*M3050, SWTA21*N3050, SWTF21*M3050, SWTF21*N3050, SWTX21*M3000, SWTX21*M3020, SWTX21*M3022, SWTX21*M3050, SWTX21*N3000, SWTX21*N3020, SWTX21*N3022 and SWTX21*N3050
	N/A	Harness Assembly	Hood; Model HWT011*B3073
	38870P	Wire Harness Assembly	Hood; Models HWT021*A1102, HWT021*C1102, HWT021*M1102 and HWT021*N1102
	39283	Wire Harness Assembly	Hood; Models HWT111*B3069, SWT111*B3069 and SWT111*M3069 through Serial No. 0204008035
	38867	Wire Harness Assembly	Hood; Model HWT211*M3020 through Serial No. 0204008035; Models HWT121*A1102, HWT121*C1102, HWT121*M1102, HWT121*N1102, HWT211*B3020, HWT220*A1102, HWT220*C1102, HWT220*M1102, HWT220*M3000, HWT220*M3020, HWT221*A1102, HWT221*C1102, HWT221*M1102, HWT221*N1102, HWT221*N1127, SWT121*A3000 and SWT121*M3000
	N/A	Wire Harness Assembly	Hood; Models HWT211*M3020 and SWT211*M3020 starting Serial No. 0204008036; Models HWT211*N3020 and SWT211*N3020
	36093P	Wire Harness Assembly	Hood; Models HWT521*A1102, HWT521*C1102, HWT621*A1102, HWT621*C1102, HWT721*A1102, HWT721*C1102, SWT421*A3000, SWT421*A3022, SWT421*A3028, SWT421*A3050, SWT421*M3000, SWT421*M3022 and SWT421*M3050
	N/A	Hood Harness Assembly	Models SWTX21*M3069 and SWTX21*N3069
	N/A	Wire Harness Assembly	Hood; Models SWT011*A3000, SWT011*A3022, SWT011*A3028, SWT011*A3050, SWT011*A3062, SWT011*M3000, SWT011*M3022, SWT011*M3050, SWT011*N3000, SWT011*N3022, SWT011*N3028, SWT011*N3050, SWT011*N3062, UWT011*A3022, UWT011*A3025 and UWT011*M3022
	200978	Wire Harness Assembly	Hood; Model SWT111*M3069 starting Serial No. 0204008036; Model SWT111*N3069
	N/A	Wire Harness Assembly	Hood; Models SWT211*A3020, SWT211*B3020 and SWT211*M3020 through Serial No. 0204008035
	201796P	Wire Harness Assembly	Hood; Model HWLX21*N1102
	201729	Hood Harness	Models HWT911*N3020, JWT810*N3020, JWT810*N3050, JWT810*N5400, JWT910*N3020, JWT910*N3050, SWT811*N3000, SWT811*N3022, SWT811*N3050, SWT811*N3062, SWT910*N3050, SWT911*N3000, SWT911*N3020, SWT911*N3022, SWT911*N3028, SWT911*N3050, SWT911*N3062 and SWT911*N5412
	201688	Hood Harness	Models BWT820*N1102, BWT920*N1102, HWT821*N1102, HWT911*N1102, HWT921*N1102 and HWT921*N1127
	201766	Hood Harness	Models JWT910*N3069 and SWT911*N3069
	39805P	Wire Harness Assembly	Hood; All other models

* Add Letter To Designate Color. L - Almond Q - Bisque W - White

N/A = Part no longer available

NOTE: Individual wires are not available separately. Order complete harness, or order wire by the foot. When applying terminals to wires, it is recommended that the terminals be soldered to the wires.

Wire Harnesses and Wires (Drawing 2 of 2)



TLW1545PA_39202

Wire Harnesses and Wires (Drawing 2 of 2)

REF	PART NO.	DESCRIPTION	COMMENTS
	45001	18 Gauge Wire	Black; Order wire by foot and terminals and connectors as required
	45380	12 Gauge Wire	Orange; Order wire by foot and terminals and connectors as required
1	38660P	Base Wire Harness Assembly	Models HWTX21*M3020, HWTX21*M3022, HWTX21*N3020, HWTX21*N3022, SWT121*A3000, SWT121*M3000, SWT421*A3000, SWT421*A3022, SWT421*M3000, SWT421*M3022, SWTA21*M3022, SWTX21*M3000, SWTX21*M3020, SWTX21*M3022, SWTX21*M3050, SWTX21*M3069, SWTX21*N3000, SWTX21*N3020, SWTX21*N3022, SWTX21*N3050 and SWTX21*N3069
	38772P	Base Wire Harness Assembly	Models HWT111*M3000, SWT011*A3062, SWT011*M3000, SWT011*M3022, SWT111*M3000, SWT111*M3022, SWT211*A3062, SWT211*M3000 and SWT211*M3022 through Serial No. 021001818; Models HWT111*A3000, HWT111*C3000, HWT211*A3000, HWT211*C3000, HWT211*M3000, JWT810*N5400, SWT011*A3000, SWT011*A3022, SWT111*A3000, SWT111*A3022, SWT111*A5412, SWT111*M5412, SWT111*N5412, SWT111*N5417, SWT211*A3000, SWT211*A3022, SWT911*N5412, UWT011*A3022 and UWT011*M3022
	39956P	Base Wire Harness Assembly	Use with 200586 Motor Assembly; Models SWT011*M3050 and SWT111*M3050 through Serial No. 021001818; Models SWT011*A3050, SWT111*A3050, SWT421*A3050, SWT421*M3050, SWTA21*M3050 and SWTF21*M3050; Models SWTA21*N3050 and SWTF21*N3050 through Serial Nos. beginning 0506
	201466	Base Wire Harness Assembly	Use with 201433 Motor Assembly; Models SWT011*M3050 and SWT111*M3050 through Serial No. 021001818; Models SWT011*A3050, SWT111*A3050, SWT421*A3050, SWT421*M3050, SWTA21*M3050 and SWTF21*M3050; Models SWTA21*N3050 and SWTF21*N3050 starting Serial Nos. beginning 0506
	201065	Base Wire Harness Assembly	Use with 201062 Motor Assembly; Models SWT011*A3062, SWT011*M3050, SWT111*M3050 and SWT211*A3062 starting Serial No. 021001819; Models SWT011*N3050, SWT011*N3062, SWT111*N3050, SWT211*N3050 and SWT211*N3062 through Serial Nos. beginning 0512
	201435	Base Wire Harness Assembly	Use with 201434 Motor Assembly; Models SWT011*N3050, SWT011*N3062, SWT111*N3050, SWT211*N3050 and SWT211*N3062 starting Serial Nos. beginning 0512; Models HWT911*N3020, JWT810*N3020, JWT810*N3050, JWT910*N3020, JWT910*N3050, JWT910*N3069, SWT811*N3050, SWT811*N3062, SWT910*N3050, SWT911*N3020, SWT911*N3028, SWT911*N3050, SWT911*N3062 and SWT911*N3069
	38661P	Wire Harness Assembly	Base; All other models

* Add Letter To Designate Color. L - Almond Q - Bisque W - White

NOTE: Individual wires are not available separately. Order complete harness, or order wire by the foot. When applying terminals to wires, it is recommended that the terminals be soldered to the wires.

Parts Index

A

Actuator	
36164	13
Actuator Support	
36163	13
Adjustable Leg Extension Kit	
566P3	113
Agitate and Spin Belt	
200923	87, 89, 93, 97
37820	97
38174	97
38749	87, 93, 97
Agitator	
33174	99, 101
33513	101
Agitator Cap	
36515	99, 101
Agitator Drive Bell Puller	
294P4	123
Agitator Hook	
254P4P	123
Agitator Pinion	
27003	107
Anti-Seize Compound	
27604P	107

B

Backflow Preventer	
34500	79, 83
Balance Ring Assembly	
39836	101
39837	99
Base Assembly	
39788	113
Base Wire Harness Assembly	
201065	127
201435	127
201466	127
38660P	127
38772P	127
39956P	127
Bearing and Seal Housing	
200512	103
Bearing Housing Assembly	
27182	105
Bell and Transmission Tube Seal	
36425	99, 101
Bell Plug	
36511	99, 101
Bit Holder	
24161	121
Bolt	
02505	7, 11, 15, 19, 21, 23, 25
294P4B	123
29651	11, 15
32184	67, 71

Bracket	
201918	67
36036	113
36037	113
Brake Kit	
38505P	111
Brake Pad Kit	
735P3	111
Bumper	
21685	69, 73
Bumper Pad	
36226	113
56128	113
Bushing	
33446	69, 73

C

Cable Clip	
21036	103, 105
Cable Connection Box	
39922	31, 33, 35, 39, 43, 45, 51, 53, 55, 61, 63, 65
Capacitor	
37377	95
Capacitor and Clamp Kit	
39259P	85, 91, 95
Capacitor Clamp	
37535	85, 91, 95
Card Reader	
512473	25
Card Reader Assembly	
210045P	65
Card Reader Kit	
874P3	25
Card Reader Wire Harness Assembly	
38191	25
800125P	65
Chassis Mounting Bracket	
201581	15
Circuit Board Support	
501523	47, 51, 53, 55, 63
Clip	
201572	17
Clutch Assembly	
29503	9
Coin Chute	
201565	11
Coin Drop	
38479P	19, 21
38963P	19, 21
Coin Drop Assembly	
200578P	19, 21
38462P	19, 21
38463	19, 21
38464P	19, 21
38467	19, 21
38472	19, 21
38519	19, 21
38521	19, 21
38522	19, 21

N/A items do not appear in index.

Coin Drop Wire Harness 201104	17	36097W	41, 43, 45
Coin Funnel Kit 523P3.....	11, 15	Control Panel Bumper 202006	27, 29, 31, 33, 35, 37, 39, 41, 43, 45, 49, 51, 53, 55, 57, 59, 61, 63, 65
Coin Identification Paper 38725	17, 19	32648	27, 29, 31, 33, 35, 37, 39, 41, 43, 45, 49, 51, 53, 55, 57, 59, 61, 63, 65
Coin Slide Extension 501483	13	Control Panel Overlay 201007	65
Coin Slide Kit 552P3.....	13	201260	27
Connector 21091	119	201265	49, 51, 53
Control and Shield Assembly 36401P.....	41, 43, 45	201268	37, 51, 53
39820	41, 45	201273	27, 33
Control Assembly 201567P.....	57, 61, 63, 65	201981	59
201577P.....	15, 29, 35	210038	57, 61
201755P.....	59	210069	65
202025P.....	59	210138	57
Control Hood 210142L.....	65	210139	65
210142Q.....	29, 35, 65	39096	41, 43, 45
210142W.....	29, 35, 65	39728	49
37075L.....	27, 31, 33, 37, 41, 43, 45, 47, 51, 53, 55, 57, 61, 63	Control Shield 210053	57, 59, 61, 63, 65
37075Q	27, 31, 33, 37, 39, 41, 43, 45, 47, 51, 53, 55, 57, 59, 61, 63	512304	15
37075W.....	27, 31, 33, 37, 39, 41, 43, 45, 47, 51, 53, 55, 57, 59, 61, 63	Control, Shield and Tape Kit 38188P.....	41
Control Kit 200641P.....	57, 61, 65	Counterweight Assembly 38769	103, 105
Control Lid Lock Assembly 37225P.....	47, 51, 53, 55, 63	38770	103, 105
Control Overlay 201667	39	Cover Plate 37828P.....	71
201669	39	Cycle Selector Switch 201686	29, 35, 39, 55
201673	55		
201674	39	<hr/>	
201675	39	D	
201744	29, 35	Diagnostic Wire Harness Assembly 800680	65
201762	29	Disconnect Power Warning Label 505281	29, 35, 75
201937	39	Door Latch Gasket 29677	69
201938	29, 35	Door Lock Spacer 201414	69
202012	29	Drain Hose 28293	109
202022	55	Drain Hose Elbow 35766	109
Control Panel 201017L.....	63	36990	109
201017Q.....	63	Drive Bell and Seal Kit 39508P	99, 101
201017W.....	63	Drive Bell Puller Arm 294P4A.....	123
Control Panel and Bracket Assembly 36521LP.....	27, 31, 33, 37, 49, 51, 53	Drive Bell Seal Tool 293P4	123
36521QP.....	27, 31, 33, 37, 39, 49, 51, 53, 55	Drive Pinion 37405	107
36521WP	27, 31, 33, 37, 39, 49, 51, 53, 55	37406P	107
Control Panel Assembly 201742W.....	29, 35	Dual Coin Harness 800213P	19, 21
201798Q.....	59	Dual Overlay 39073	21
201798W.....	59		
210042L.....	57, 61, 63		
210042Q.....	57, 61, 63		
210042W.....	57, 61, 63		
210137L.....	65		
210137Q.....	65		
210137W.....	65		
36097L.....	41, 43, 45		
36097Q	41, 43, 45		

N/A items do not appear in index.

E

Electrical Shock Label	
502511	47, 49, 51, 53, 55, 63
Electronic Coin Drop Assembly	
70294101P	17
70294103P	17
70294104	17
70294105P	17
70294106	17
70294107	17
70294109	17
70294110	17
70294111	17
Electronic Coin Drop Kit	
CK095	17
CK099	17
CK100	17
CK101	17
CK103	17
CK106	17
CK108	17
CK109	17
CK110	17
End Cap	
210108W	29, 35, 65
210109W	29, 35, 65

F

Female Flag Terminal	
00120	119
Female Pin Terminal	
00117	119
Female Spade Terminal	119
00112	119
00121	115
00223	119
Female Terminal	
00188	115, 119
Fill Hose	
20617	79, 83
20618	79, 83
37380	79, 83
37381	79, 83
Fill Hose Kit	
28330P	79, 83
38349P	79, 83
Filter Screen	
F270300	79, 83
Flex Vane Agitator	
36507	99, 101
Friction Ring	
37937	113
Front Panel	
38335LP	113
38335QP	113
38335WP	113
Front Panel Brace	
35097	113

G

Gauge Wire, 12	
45380	125, 127
Gauge Wire, 18	
45001	125, 127
Gear and Stud Assembly	
26577	107
Graphic Overlay	
201258	27, 31, 33
201259	27
201261	49, 51, 53
201266	37
201267	37
201999	39
Grease	
36765P	101
Grommet	
29175	103, 105
80262	71
Grounding Clip	
00161	119

H

Harness	
512501	25
Harness Assembly	
210178P	125
Harness Strap	
55881	119
Helix	
38008	111
Hex Wrench Tool	
306P4	121
Hinge Gasket	
34338	69, 73
Hold-down Clip	
35865	113
Hold-Down Lug Hinge	
27103	113
Hood Back Panel	
38267	27, 31, 37, 39, 41, 43, 47, 51, 57, 59
39920	31, 33, 39, 43, 45, 51, 53, 55, 57, 61, 63
Hood Harness	
201688	125
201729	125
201766	125
Hose Clamp	
20211	109
20391	109
36801	79, 83
36802	109
39282	103, 105
800803	79, 83
Hose Clip	
36985	103, 105
Hose Coupler	
25863	109
Hose Retainer Clip	
39177	109

N/A items do not appear in index.

Housing, 24 Position	
32746	119
34123	119
Hub and Lip Seal Kit	
766P3A	99
Hub and Seal Kit	
646P3	101
Hub Spacer	
201212	107

I

Idler Lever	
38011	87, 89, 93, 97
Idler Lever Spring	
201189	87, 89, 93, 97
202032	87, 89, 93, 97
39666	87, 89, 93, 97
Idler Pulley	
38225P	87, 89, 93, 97
Idler Shaft	
210186	87, 89, 93, 97
Input Shaft	
38268P	107
Insulator	
70210	119
Isolator Post	
38325	85, 89, 91, 95

L

Lead-In Cord	
201439	117
34458	117
38362	117
38363	117
39404	117
39926	35, 39, 51, 53, 63, 117
Lead-In Wire Harness Assembly	
39923	31, 33, 35, 39, 43, 45, 61, 63, 65
Leg and Stabilizer Assembly	
34443	113
Leg Plate	
27926	103, 105
Leg Spring	
37575	103
37576	103, 105
Leveling Leg	
34319	113
Lid	
200891L	69, 73
200891Q	69, 73
200891W	69, 73
200892LP	69
200892QP	69
200892WP	69
201460WP	69, 73
201461WP	73
201760Q	73
201760W	73
201761Q	73
201761W	73

Lid and Carton Assembly	
201460LP	69, 73
201460QP	69, 73
Lid Hinge	
36437	69, 73
36438	69, 73
Lid Lock	
201310	71
Lid Lock Catch Assembly	
201307	69
Lid Lock Gasket	
30378	71
Lid Lock Kit	
837P3	69, 71
Lid Lock Wire Harness Assembly	
31973	71
Lid Plug	
34153	73
Lid Switch Assembly	
37631	77
Lid Switch Indicator Light	
39536	49, 51, 53, 55, 63
Light	
32464	27, 37
32466	27, 37
32519	27, 37, 49, 51, 53
38281	27, 31, 33, 37, 49, 51, 53
801431	29, 35, 39, 55, 59
Long Vault Timer Bracket	
200832	9
Long Vault Timer Bracket Kit	
789P3	9

M

Male Pin Terminal	
00116	119
Male Tab Terminal	
00177	29, 35, 91, 95
Mechanical Counter Kit Assembly	
201280P	11
Meter Case and Funnel Kit	
524P3L	11
524P3Q	11
524P3W	11
Meter Case Assembly	
38724L	19, 21
38724Q	19, 21
38724W	19, 21
802505Q	19
802505W	19
Meter Case Bracket Gasket	
35526	11, 15, 19, 21
Meter Case Gasket	
26354	11, 15, 19, 21
Meter Case Kit	
201010LP	11
201010QP	11, 15
201010WP	11, 15
Meter Case Lockdown Bracket	
35525	11, 15, 19, 21
Meter Case Locking Bracket	
30642	11, 15, 19, 21, 25

N/A items do not appear in index.

Meter Case Mounting Bracket Assembly 35867	113
Meter Case Wire Harness Kit 39955P	19, 21
Mixing Valve 201402P	79, 81
201468P	79
38495P	79, 81
38813P	81
38918P	81
39070P	81
Mixing Valve Mounting Bracket 39407	79, 83
Mixing Valve Plug 34675	115
34676	115
Mixing Valve Screen 24122	79, 83
Mixing Valve-to-Tub Cover Hose 38155	79, 83
Motor Assembly 200646P	95
200648P	85, 95
35030P	95
Motor Kit 200585P	91
201433P	89, 91, 95
38034P	95
38035P	95
835P3	85, 91, 95
Motor Mount 38395	85, 89, 91, 95
38396	85, 89, 91, 95
Motor Mount Bracket 200941	85, 89, 91, 95
Motor Shield 34754	85, 89, 91, 95
35886	95
Motor Side Shield 36965	85, 89
Motor Switch 35632P	85, 89, 91, 95
Mounting Tool Kit CK096	123
Multiplier Assembly 38571	21
Multiplier Harness 38673	21

N

Nut M400981	77
02788	49
03673	117
201216	17
21899	113
22001	71
23951	67
24205	27, 29, 31, 33, 35, 37, 39, 49, 51, 53, 55
27222	69, 75, 105
28803	87, 89, 93, 97
29220	99, 101
29786	7, 11, 15, 19, 21, 23, 25

29796	11, 15
30647	11, 15, 19, 21, 25, 67
36020	71, 75
52566	7, 23, 25, 27, 31, 33, 37, 39, 41, 43, 45, 47, 51, 53, 55, 57, 59, 61, 63, 85, 89, 93, 97
52947	49, 51, 53, 55, 59, 63
685846	85, 89, 91, 95
70054	65
802337	11, 15, 19, 21

O

Opto Coupler 200674P	19, 21
O-Ring 36472	101
Outer Tub Assembly 200510P	103
200511P	103
Outer Tub Flange Kit 636P3	103, 105
Outer Tub Kit 37981P	105
Output Shaft 36570P	107
Overlay 200918	57, 61
200919	57
200984	63
201016	63
201090	63
201091	17
Overlay Kit 38676	21

P

Panel Clip M406494	29, 35
Panel Locator 28102	113
56079	113
Pinched Fingers Label 502506	103, 105
Plastic Boot 36165	13
Plug, 1 Circuit 26302	119
Plug, 10 Circuit 34677	115
Plug, 6 Circuit 23041	119
Plug, 9 Circuit 23033	119
Power Cord Assembly 39925	51, 53, 55, 63, 117
39931	31, 33, 35, 39, 43, 45, 61, 65, 117
39984	33, 39, 45, 117
Power Supply 512496	25
Pressure Bulb 30907	103, 105

N/A items do not appear in index.

Pressure Switch	
201997P.....	59
35889P.....	27, 29, 31, 33, 35, 37, 39, 41, 43, 45, 49, 51, 53, 55, 57, 61, 63, 65, 105
Pressure Switch Bracket	
201789.....	59
Programming Card	
512499P.....	25
Pulley	
38143.....	111
Pulley Assembly	
38007.....	111
Pump	
201566P.....	87, 89, 93, 97
Pump Assembly	
201442P.....	87, 89, 93, 97
Pump-to-Drain Elbow Hose	
38273.....	109
Push-On Clip	
34762.....	63
Push-on Clip	
34762.....	49, 51, 53, 55
Push-to-Start Sticker	
53738.....	7

R

Rack	
201664.....	107
Ratchet Extension Tool	
310P4.....	123
Rear Panel	
201732.....	29
201919.....	67
201951.....	35
210143.....	65
Receptacle, 1 Circuit	
26301.....	119
Receptacle, 6 Circuit	
26708.....	119
Reduction Gear	
37403P.....	107
37404P.....	107
Repectacle, 9 Circuit	
26163.....	119
Resistor	
210100.....	29, 39, 55, 57, 61, 63, 65
Retaining Ring	
23748.....	87, 89, 93, 97
27197.....	107
Ring Terminal	
00110.....	119
00113.....	119
Rocker Switch	
512562P.....	29, 35
Roll Pin	
10416.....	85, 91, 95
Rubber Foot	
34318.....	113

S

Screw	
M400057.....	105
M402574.....	77
Q6516.....	49
Q6695.....	69
02916.....	7, 23, 25, 27, 31, 33, 37, 39, 41, 43, 45, 47, 51, 53, 55, 57, 59, 61, 63
03950.....	13
201353.....	71
201773.....	107
20267.....	117
20530.....	91, 95
21720.....	9
22649.....	71
23008.....	71, 75
23222.....	27, 31, 33, 37, 39, 41, 43, 45, 47, 51, 53, 55, 57, 59, 61, 63
23962.....	7, 25, 27, 29, 31, 33, 35, 37, 39, 41, 43, 45, 47, 49, 51, 53, 55, 57, 59, 61, 63, 77
27196.....	113
27202.....	99, 101
27220.....	111
27229.....	87, 89, 93, 97
27328.....	7, 15
29273.....	107
32814.....	107
33562.....	79, 83
34337.....	69, 73
34565.....	87, 89, 93, 97
35148.....	113
35369.....	85, 89, 91, 95, 103, 105
35527.....	71, 75, 113
35528.....	27, 31, 33, 37, 39, 41, 43, 45, 49, 51, 53, 55, 59
36048.....	9, 15, 19, 21
36166.....	13
36639.....	85, 89, 91, 95
37836.....	111
39397.....	79, 81
39432.....	99, 101
39566.....	103, 105
39733.....	113
39739.....	111
500226.....	27, 31, 33, 37, 39, 49, 51, 53, 55
501086.....	27, 29, 31, 33, 35, 37, 39, 41, 43, 45, 57, 59, 61, 63, 65, 79, 81
501524.....	15, 29, 35, 41, 43, 45, 57, 59, 61, 63, 65
502431.....	9
503661.....	29, 35, 39, 55, 57, 59, 61, 63, 65
503673.....	11, 15, 19, 21, 25, 69, 75
503688.....	9, 15, 67
512504.....	25
51778.....	7, 23, 25
51780.....	113
51782.....	15
52864.....	29, 35, 41, 43, 45, 57, 59, 61, 63, 65
52909.....	25, 69, 75, 85, 91, 95, 109, 113
80399.....	7
Sealant	
200996P.....	99
Security Case Gasket	
37526.....	25
Security Kit	
904P3.....	67

N/A items do not appear in index.

Security Wire Harness Assembly		28719P	7
38026	23	31111P	9
Service Cabinet Kit		31504P	9
38612LP	113	34601P	9
38612QP	113	34603P	9
38612WP	113	34604	9
Service Door Assembly		35368P	9
39874LP	11, 19, 21, 25	36987	9
39874QP	11, 15, 19, 21, 25	Timer Bracket	
39874WP	11, 15, 19, 21, 25	35249	9
Shaft		Timer Case Assembly	
56461P	87, 93, 97	37733W	7, 23, 25
Shipping Brace		Timer Harness Assembly	
200552	121	29281P	9
Shipping Plug		39806P	9
38149	121	Timer Knob Assembly	
Shock Warning Label		26256	7
511021	31, 33, 35, 39, 43, 45	Timer Plate	
Silicone Grease		31864W	7
26594P	111	39481L	23
Single Overlay		39481W	23, 25
38717	19	Timer Wire Harness Assembly	
Siphon Break Kit		39811	7
562P3	109	Top	
Slide		39167LP	75
26493	107	39167QP	75
Slide Extension Assembly		39167WP	75
201915	15	Top Assembly	
Spline Insert		210173LP	75
29728	99, 101	210173QP	71, 75
Spring Clip		210173WP	71, 75
210202	87, 89, 93, 97	39184LP	71
Spring Hook Tool		39184QP	71
321P4	121	39184WP	71
Strain Relief		39185LP	71, 75
38384	75	39185QP	71, 75
Support Barrel		39185WP	71, 75
56534	69, 75	39339Q	71
Switch		39339W	71
27762	27, 37	Top Shield	
33445	77	39744	71, 75
37830	77	Torx Bit	
504570	19, 21	281P4	121
Switch Assembly		282P4	121
39256	77	Transformer	
55882	49, 51, 53, 55, 59, 63	201375P	57, 59, 65
Switch Knob		201587P	29, 39
39897	27, 29, 31, 33, 35, 37, 39, 49, 51, 53, 55	201616	29, 35, 39, 55
Switch Mount Assembly		210018P	57, 65
201917P	15	210019P	57, 61, 63, 65
Switch Mounting Plate		Transmission Assembly	
29676	71	38165P	107
<hr/>			
T		Transmission Case Assembly	
Terminal Adapter		33223P	107
F140562	119	Transmission Cover Assembly	
Terminal Block		37471	107
36841	49	Transmission Oil	
Terminal Extractor Tool		27243P	107
283P4	115	Transmission Pin Tool	
Timer		305P4	121
28716P	7	Transmission Sealant	
		37577P	107
		Tub Assembly	
		39252P	99, 101
		39387P	99, 101

N/A items do not appear in index.

Tub Cover and Gasket Assembly	
201430	103, 105
38573	103, 105
Tub Cover Gasket	
38359	103, 105
Tub Cover Removal Tool	
273P4	123
Tubing	
39124	103, 105
39125	103, 105
Tub-to-Pump Hose	
38351	109

U

Ultra Pod Terminal	
00359	119
Upper or Lower Bearing	
28944RP	111

W

Warning Label	
500049	103, 105
500314	103, 105
500316	65
Washer	
M400017	7, 23, 25, 27, 31, 33, 37, 39, 41, 43, 45, 47, 51, 53, 55, 57, 59, 61, 63
02431	7, 23, 25, 27, 31, 33, 37, 39, 41, 43, 45, 47, 51, 53, 55, 57, 59, 61, 63
03815	15
200608	57, 59, 61, 63, 65
202010	105
20290	79, 83
21456	107
21734	7, 23, 25, 49
21735	117
23225	7, 25
25100	67
25820	59
26509	107, 111
27015	111
28094	99, 101
29260	107
30627	7, 23, 25
35092	107
35535	111
37772	85, 89, 91, 97
39249	71, 75, 103, 105
504082	87, 89, 93, 97
52549	87, 89, 93, 97
802254	79, 83
81392	87, 89, 93, 97
91176	27, 29, 31, 33, 35, 37, 39, 49, 51, 53, 55
Washtub Gasket	
39122	99, 101
Washtub Kit	
719P3	99
Water Temperature Switch	
81799	27, 29, 31, 33, 35, 37, 39, 49, 51, 53
Weldment and Bearing Assembly	
39253	111
39254	111

N/A items do not appear in index.

Wire Clip	
36274	119
504034	119
51291	119
Wire Guard	
201595P	19
Wire Harness Assembly	
200978	125
201796P	125
210061	125
34092P	7
36093P	125
38661P	127
38867	125
38870P	125
39283	125
39805P	125
