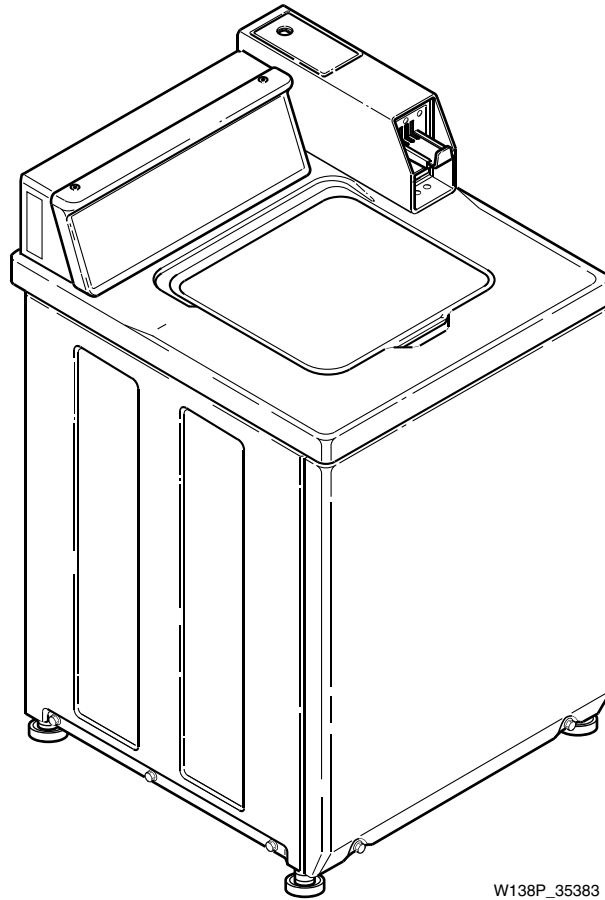


Automatic Washers

Refer to Page 3 for Model Numbers



W138P_35383

Table of Contents

Title	Page
Parts Ordering Information.....	2
Nameplate Location	2
Model Identification	3
Timer, Case and Plate	4
Timer, Meter Case and Service Door (Drawing 1 of 2).....	6
Timer, Meter Case and Service Door (Drawing 2 of 2).....	8
552P3 Coin Slide Start Security Kit	10
Coin Drop, Meter Case and Service Door	12
Control Panel, Control Hood and Controls (Drawing 1 of 4).....	14
Control Panel, Control Hood and Controls (Drawing 2 of 4).....	16
Control Panel, Control Hood and Controls (Drawing 3 of 4).....	18
Control Panel, Control Hood and Controls (Drawing 4 of 4).....	20
Cabinet Top and Loading Door	22
Out-of-Balance Switch	24
Motor, Mounting Bracket, Belts and Idler Assembly	26
Inlet Hose, Fill Hose and Mixing Valve and Mounting Bracket.....	28
Agitator, Drive Bell, Seal Kit, Washtub and Hub	30
Outer Tub, Cover and Pressure Hose	32
Pump Assembly, Bracket, Hoses and Siphon Break Kit.....	34
Bearing Housing, Brake, Pulley and Pivot Dome.....	36
Transmission Assembly and Balance Ring.....	38
Transmission Assembly	40
Front Panel, Base Assembly and Cabinet Assembly.....	42
Mixing Valve and Motor Disconnect Blocks, Terminals and Terminal Extractor Tool.....	44
Power Cord and Terminals	46
Special Tools (Drawing 1 of 2).....	48
Special Tools (Drawing 2 of 2).....	50
Wire Harnesses and Wires	52
Parts Index.....	53

© Copyright 2007, Alliance Laundry Systems LLC

All rights reserved. No part of the contents of this book may be reproduced or transmitted in any form or by any means without the expressed written consent of the publisher.

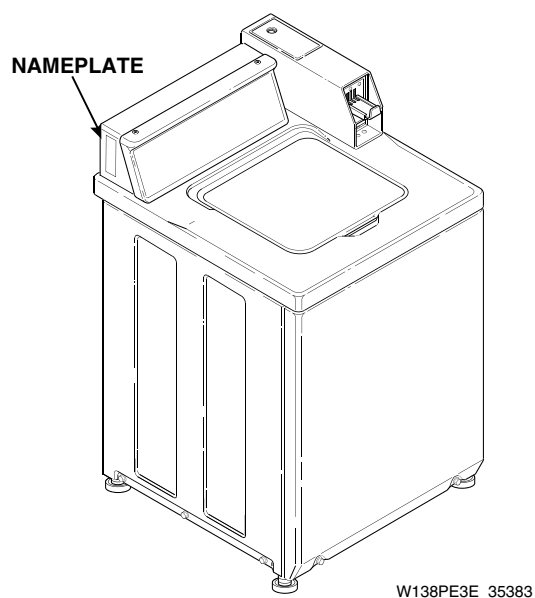
Parts Ordering Information

If literature or replacement parts are required, contact the source from whom the machine was purchased or contact Alliance Laundry Systems at (920) 748-3950 for the name and address of the nearest authorized parts distributor.

For technical assistance, call (920) 748-3121.

Nameplate Location

When calling or writing about your product, be sure to mention model and serial numbers. Model and serial numbers are located on nameplate(s) as shown.



Model Identification

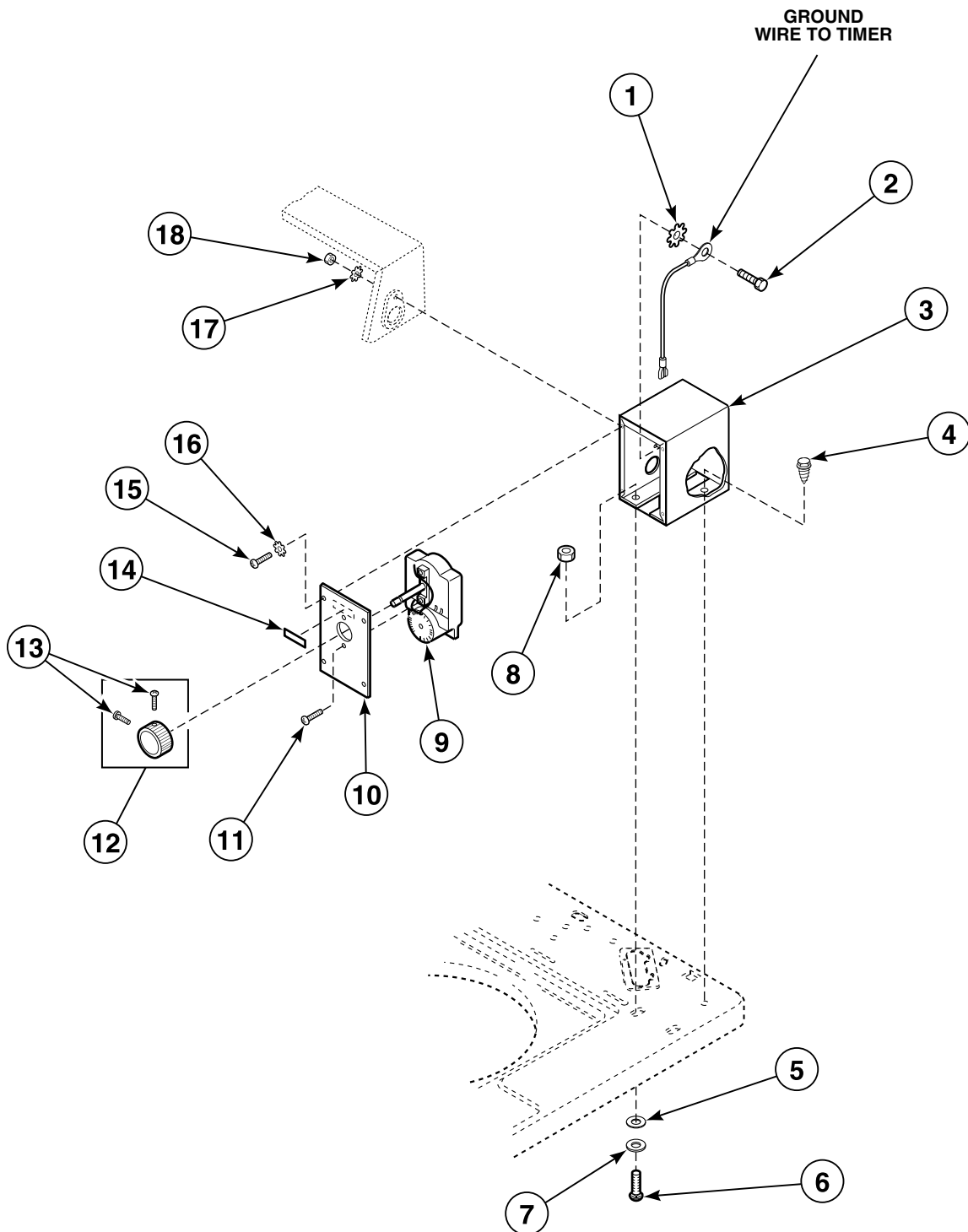
Information in this manual is applicable to these washer models:

EA2011*	EA2120*	EA2311*	EA2621*	EA2920*
EA2020*	EA2121*	EA2520*	EA2710*	EA2921*
EA2021*	EA2210*	EA2521*	EA2721*	JA0110*T
EA2110*	EA2220*	EA2610*	EA2820*	
EA2111*	EA2221*	EA2620*	EA2821*	

* Add Letter To Designate Color. L - Almond W - White

Timer, Case and Plate

Models EA2011*, EA2020* and EA2021*



W116PZ3D_35383

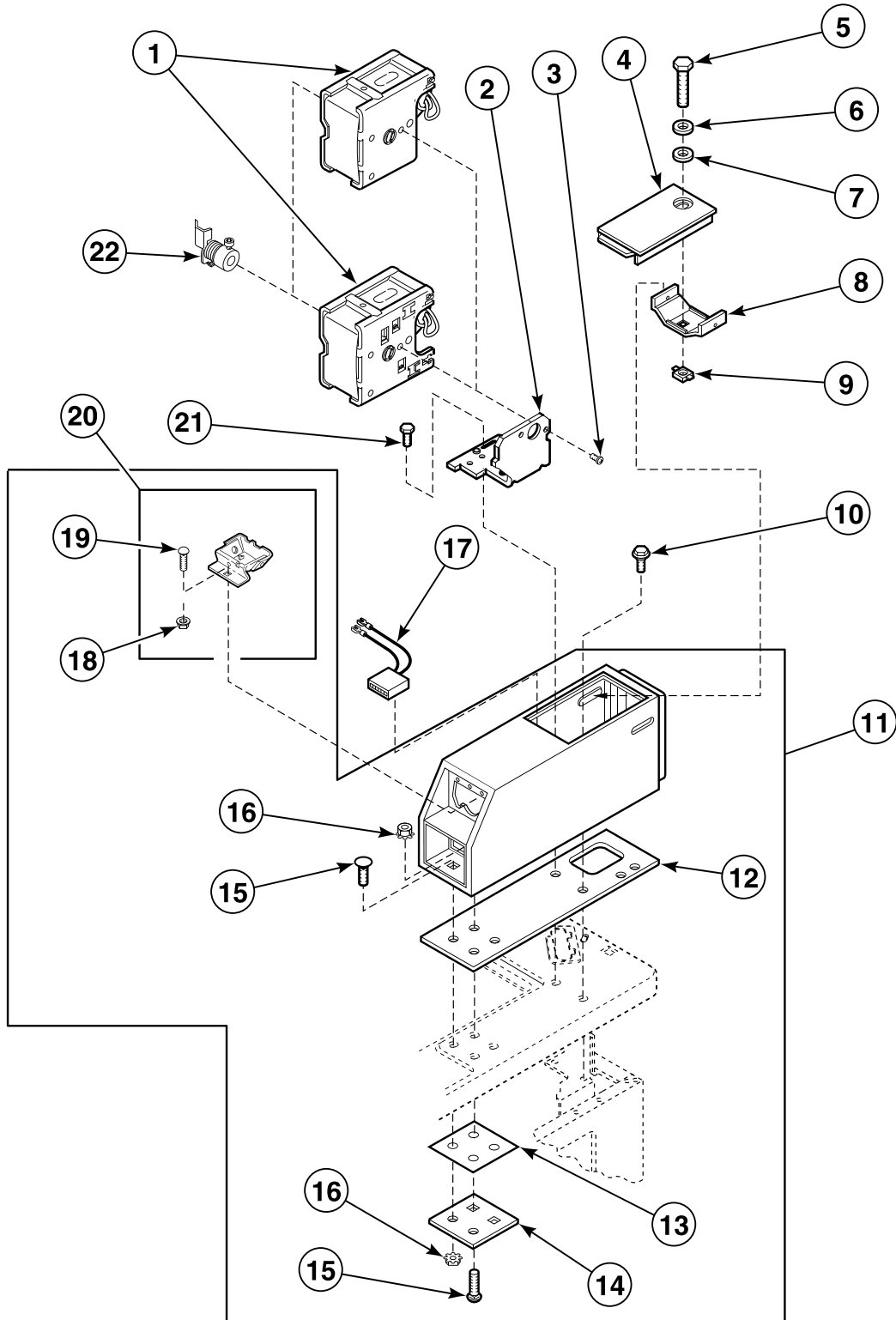
Timer, Case and Plate

REF	PART NO.	DESCRIPTION	COMMENTS
1	M400017	Washer	
2	02916	Screw	
3	37733W	Timer Case Assembly	
4	23962	Screw	
5	23225	Washer	Vinyl
6	02505	Bolt	
7	30627	Washer	
8	29786	Nut	
9	28716P	Timer	
10	31864W	Timer Plate	
11	27328	Screw	
12	26256	Timer Knob Assembly	
13	80399	Screw	
14	53738	Push-to-Start Sticker	
15	51778	Screw	
16	21734	Washer	
17	02431	Washer	
18	52566	Nut	

* Add Letter To Designate Color. L - Almond W - White

Timer, Meter Case and Service Door (Drawing 1 of 2)

Models EA2110*, EA2111*, EA2120*, EA2121*, EA2210*, EA2220*, EA2221*, EA2311*, EA2520*, EA2521* and JA0110*T



W117PZ3B_35383

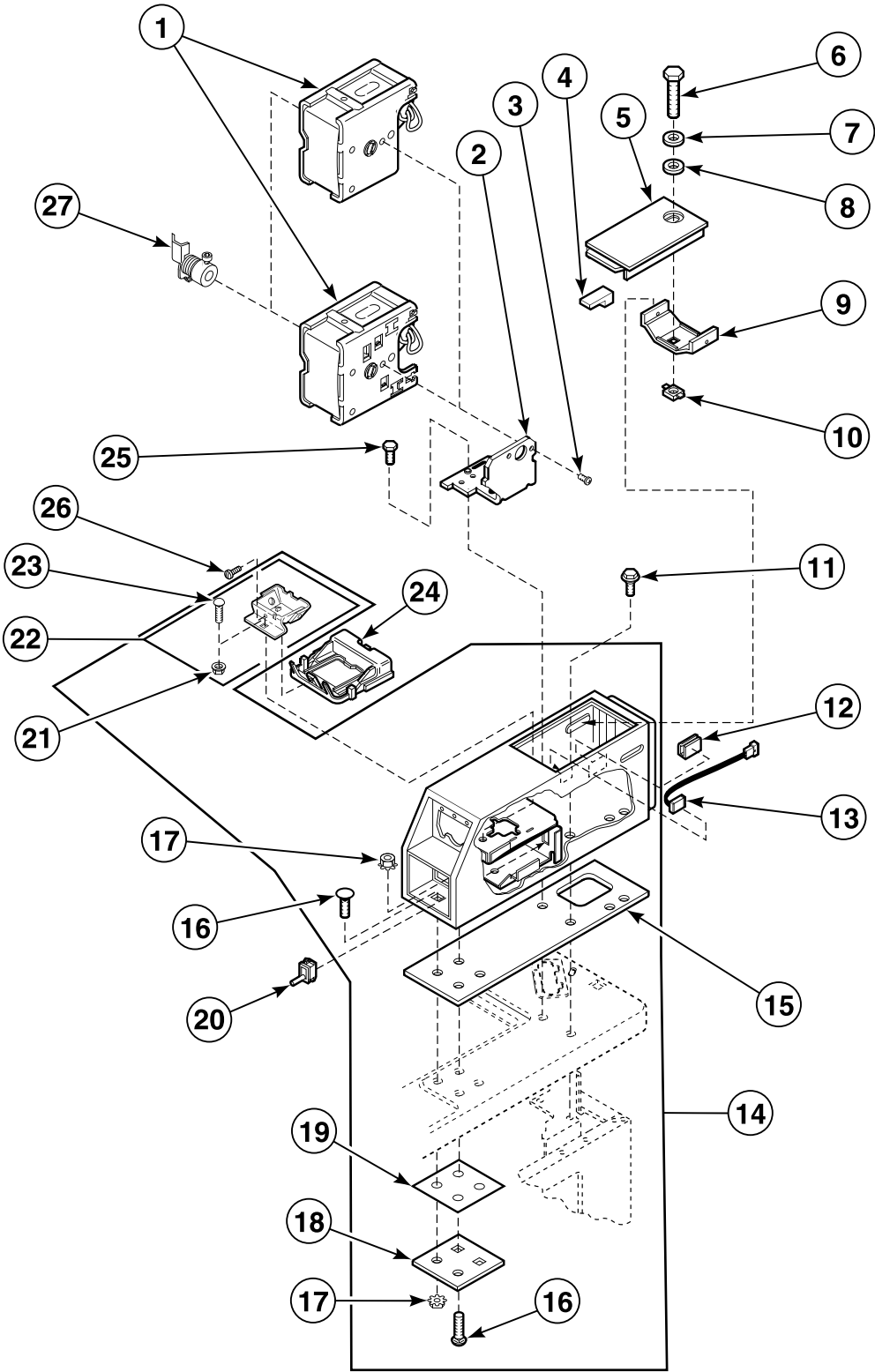
Timer, Meter Case and Service Door (Drawing 1 of 2)

REF	PART NO.	DESCRIPTION	COMMENTS
1	31111P	Timer	Models EA2110*, EA2111*, EA2120*, EA2121* and JA0110*T
	34601P	Timer	Models EA2210*, EA2220* and EA2221*
	34602P	Timer	Models EA2520* and EA2521*
2	35249	Timer Bracket	
3	21720	Screw	
4	35798WP	Service Door Assembly	White
	35798LP	Service Door Assembly	Almond
5	503673	Screw	
6	35917	Washer	Metal
7	35774	Washer	Vinyl
8	30642	Meter Case Locking Bracket	
9	30647	Nut	
10	502431	Screw	
11	524P3W	Meter Case and Funnel Kit	White; Includes items 12-16 and 20
	524P3L	Meter Case and Funnel Kit	Almond; Includes items 12-16 and 20
12	26354	Meter Case Gasket	
13	35526	Meter Case Bracket Gasket	
14	35525	Meter Case Lockdown Bracket	
15	02505	Bolt	
16	29786	Nut	
17	62113P	Counter Kit	Models EA2520* and EA2521*
18	29796	Nut	
19	29651	Bolt	
20	523P3	Coin Funnel Kit	Includes items 18 and 19
21	36048	Screw	
22	29503	Clutch Assembly	

* Add Letter To Designate Color. L - Almond W - White

Timer, Meter Case and Service Door (Drawing 2 of 2)

Models EA2610*, EA2620*, EA2621*, EA2710* and EA2721*



W118PZ3B_35383

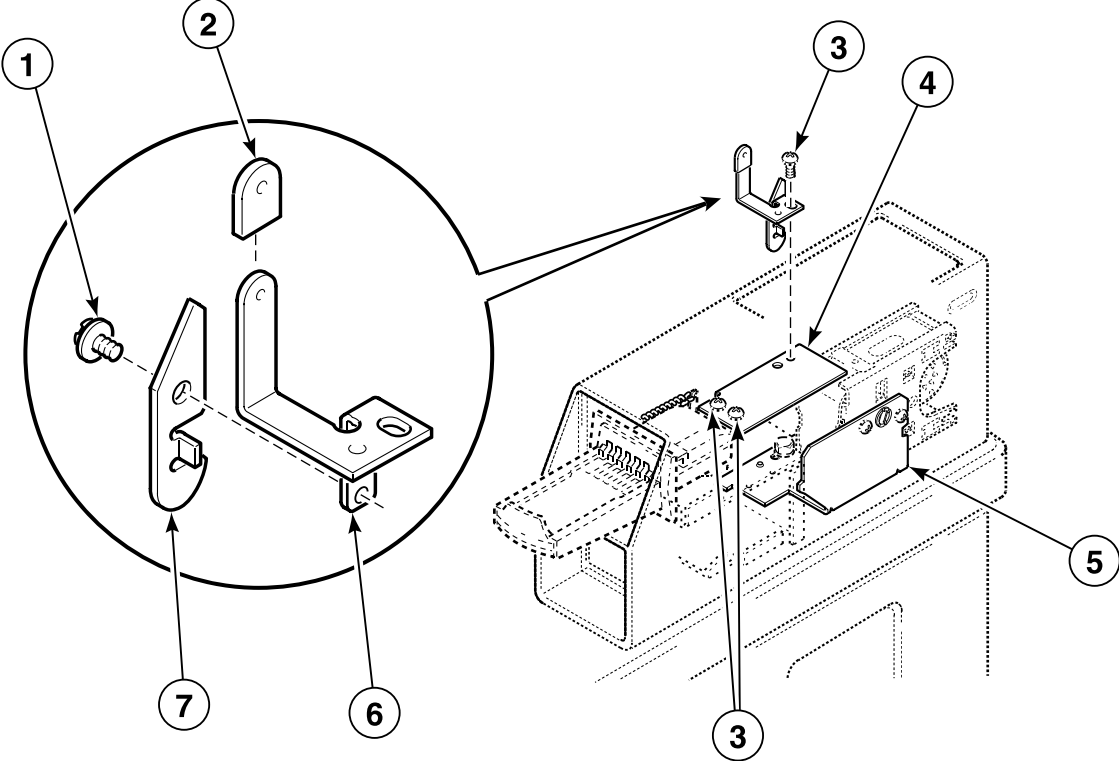
Timer, Meter Case and Service Door (Drawing 2 of 2)

REF	PART NO.	DESCRIPTION	COMMENTS
1	34602P	Timer	Models EA2610*, EA2620* and EA2621*
	N/A	Timer Assembly	Models EA2710* and EA2721*
2	35249	Timer Bracket	
3	21720	Screw	
4	501453	Magnet	
5	35798WP	Service Door Assembly	White
	35798LP	Service Door Assembly	Almond
6	503673	Screw	
7	35917	Washer	Metal
8	35774	Washer	Vinyl
9	30642	Meter Case Locking Bracket	
10	30647	Nut	
11	502431	Screw	
12	N/A	Wire Harness Clip	
13	34599	Reed Switch	
14	524P3W	Meter Case and Funnel Kit	White; Includes items 15-19 and 22
	524P3L	Meter Case and Funnel Kit	Almond; Includes items 15-19 and 22
15	26354	Meter Case Gasket	
16	02505	Bolt	
17	29786	Nut	
18	35525	Meter Case Lockdown Bracket	
19	35526	Meter Case Bracket Gasket	
20	34536	Pushbutton Switch	
21	29796	Nut	
22	523P3	Coin Funnel Kit	Includes items 21 and 23
23	29651	Bolt	
24	N/A	Sensor Control	
25	36048	Screw	
26	31260	Screw	
27	29503	Clutch Assembly	

* Add Letter To Designate Color. L - Almond W - White

N/A = Part no longer available

552P3 Coin Slide Start Security Kit



W026K_35383

552P3 Coin Slide Start Security Kit

REF	PART NO.	DESCRIPTION	COMMENTS
1	36166	Screw	
2	36165	Plastic Boot	
3	03950	Screw	
4	501483	Coin Slide Extension	
5	35249	Timer Bracket	Not included in 552P3 Coin Slide Kit
6	36163	Actuator Support	
7	36164	Actuator	

Coin Drop, Meter Case and Service Door

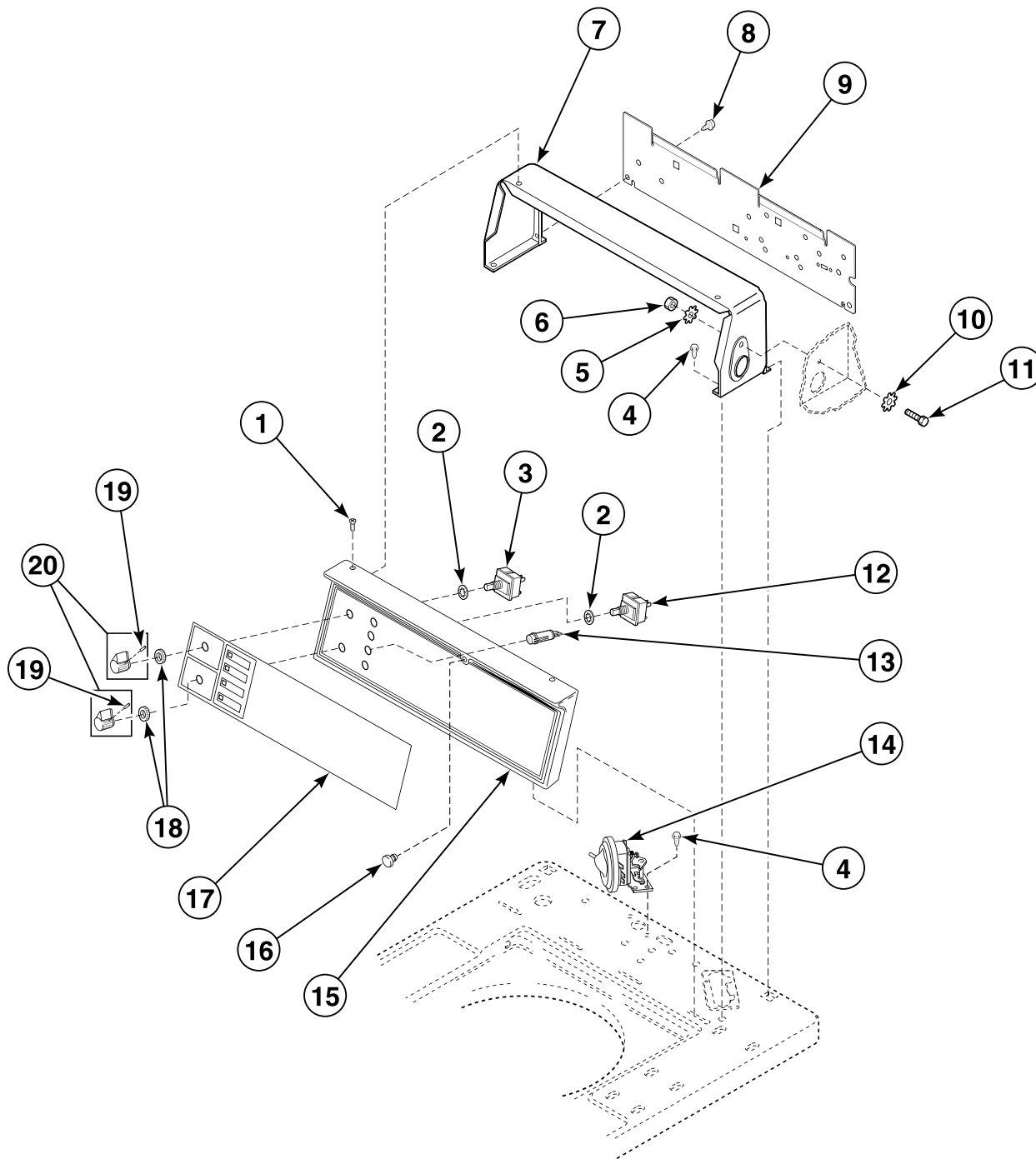
REF	PART NO.	DESCRIPTION	COMMENTS
1	201191	Rejector Faceplate	For use with 39873 Coin Drop
2	200820	Expansion Plug	For use with 39873 Coin Drop
3	N/A	Locking Rod	
4	39873P	Coin Drop	Replaces Airpax rejector and drop assembly
5	200824P	Opto Coupler	For use with metal drops only
6	503673	Screw	
7	35917	Washer	Metal
8	35774	Washer	Vinyl
9	35798WP	Service Door Assembly	White
	35798LP	Service Door Assembly	Almond
10	501453	Magnet	
11	36048	Screw	
12	34599	Reed Switch	
13	30642	Meter Case Locking Bracket	
14	30647	Nut	
15	38542WP	Meter Case Kit	White
	38542LP	Meter Case Kit	Almond
16	26354	Meter Case Gasket	
17	02505	Bolt	
18	29786	Nut	
19	35525	Meter Case Lockdown Bracket	
20	35526	Meter Case Bracket Gasket	
21	504570	Switch	

* Add Letter To Designate Color. L - Almond W - White

N/A = Part no longer available

Control Panel, Control Hood and Controls (Drawing 1 of 4)

Models EA2011*, EA2020*, EA2021*, EA2110*, EA2111*, EA2120*, EA2121*, EA2210*, EA2220*, EA2221*, EA2520*, EA2521* and JA0110*T



W119PZ3D_35383

Control Panel, Control Hood and Controls (Drawing 1 of 4)

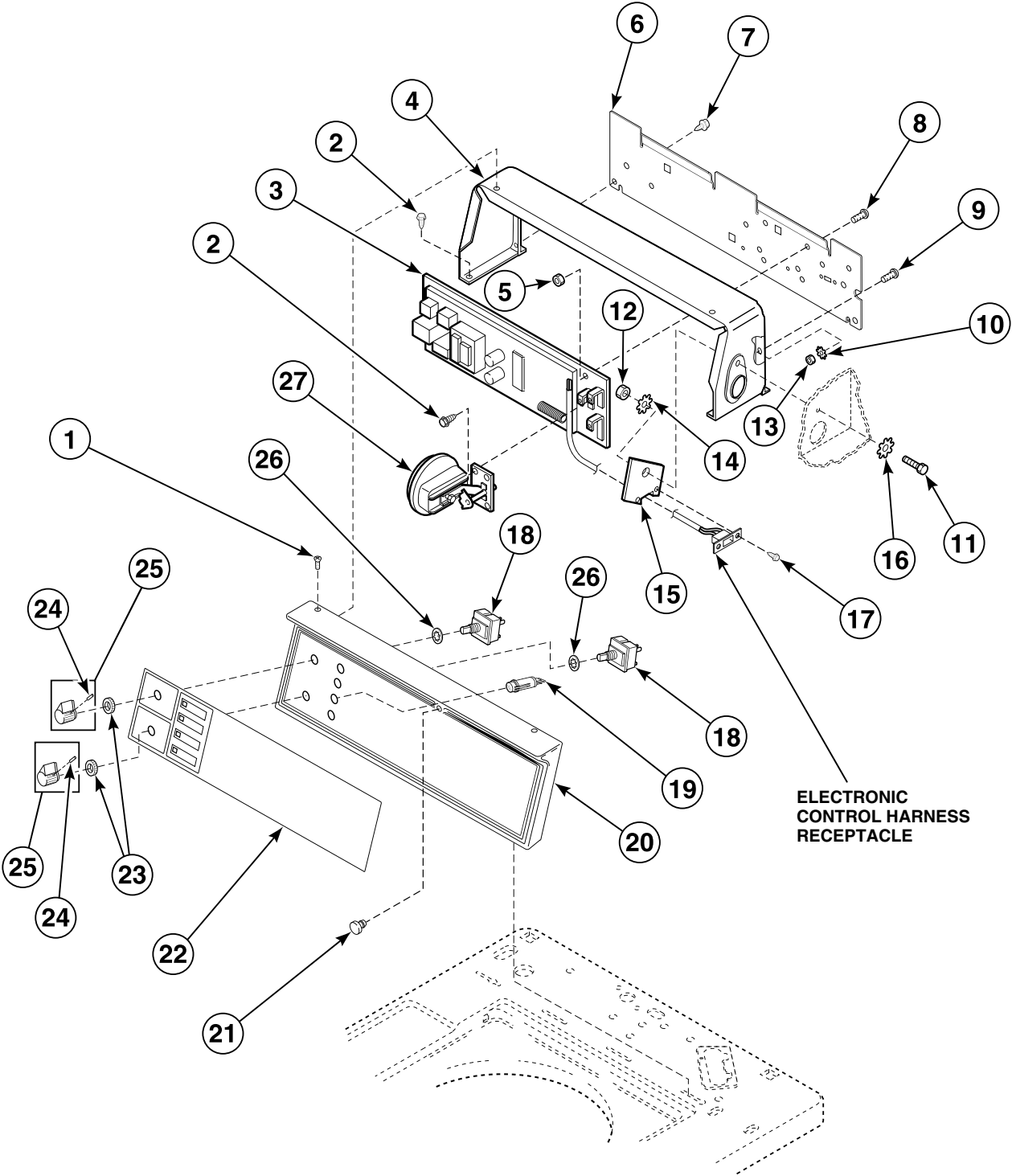
REF	PART NO.	DESCRIPTION	COMMENTS
1	500226	Screw	Phillips head
	35528	Screw	Torx head
2	91176	Washer	
3	81799	Water Temperature Switch	
4	23962	Screw	
5	02431	Washer	
6	52566	Nut	
7	37075W	Control Hood	White
	37075L	Control Hood	Almond
8	23222	Screw	
9	38267	Hood Back Panel	
10	M400017	Washer	
11	02916	Screw	
12	27762	Motor Switch	2 speed models
13	32464	Light	Models EA2011*, EA2020* and EA2021*; 4 required
	32463	Unbalance Light	Unbalanced load; All other models
	32466	Light	In use; All other models
	32464	Light	Rinse or spin; All other models
14	35889P	Pressure Switch	
15	36521WP	Control Panel and Bracket Assembly	White
	36521LP	Control Panel and Bracket Assembly	Almond
16	32648	Control Panel Bumper	
17	32460	Graphic Overlay	Models EA2011*, EA2110*, EA2111* and EA2210*
	32472	Graphic Overlay	Models EA2020*, EA2021*, EA2120*, EA2121*, EA2220*, EA2221*, EA2520* and EA2521*
	N/A	Control Panel Overlay	Model JA0110*T
18	24205	Nut	
19	N/A	Screw	
20	39897	Switch Knob	

* Add Letter To Designate Color. L - Almond W - White

N/A = Part no longer available

Control Panel, Control Hood and Controls (Drawing 2 of 4)

Model EA2311*



W120PZ3B_35383

Control Panel, Control Hood and Controls (Drawing 2 of 4)

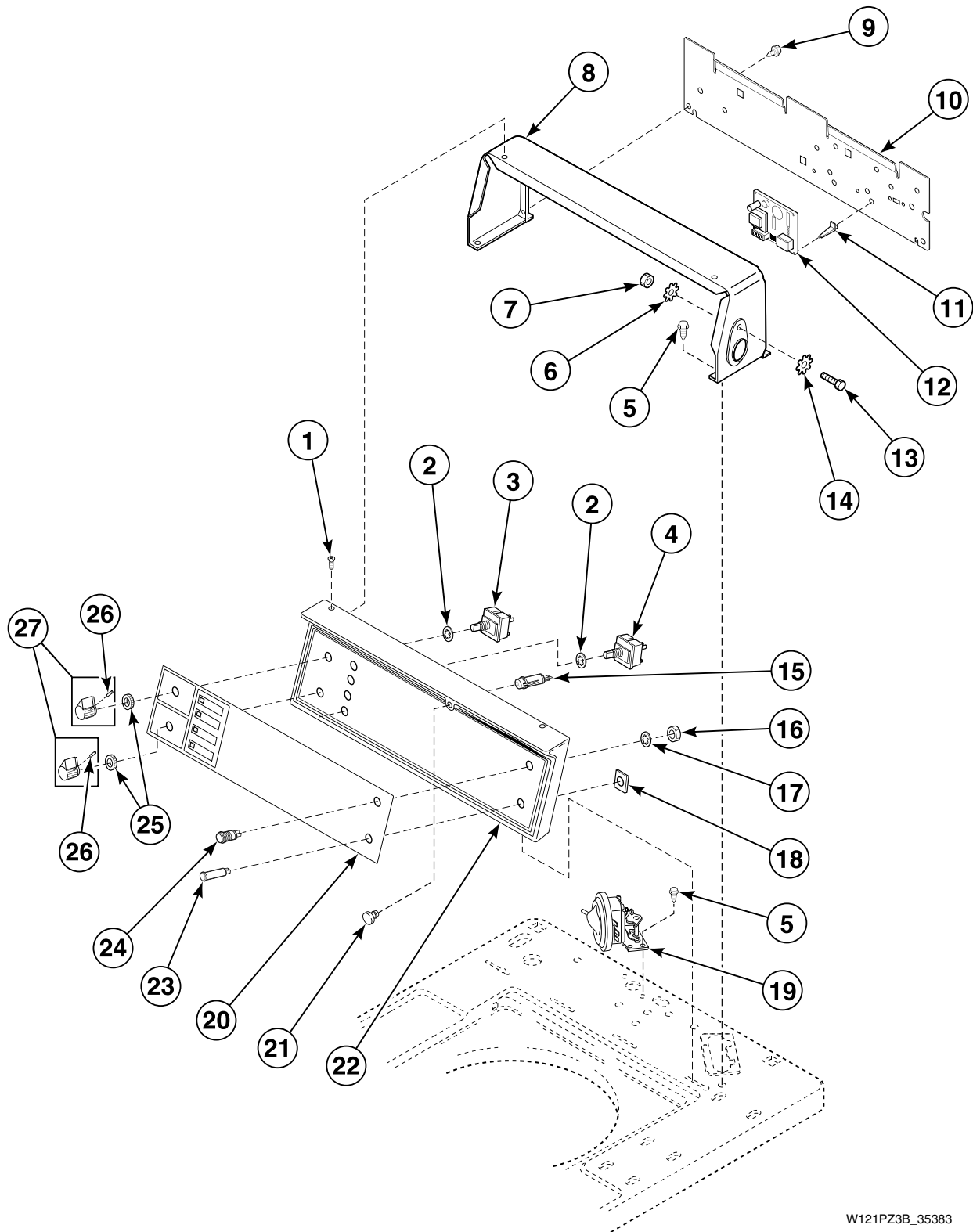
REF	PART NO.	DESCRIPTION	COMMENTS
1	500226	Screw	Phillips head
	35528	Screw	Torx head
2	23962	Screw	
3	33422P	Control and Bracket Assembly	
4	37075W	Control Hood	White
	37075L	Control Hood	Almond
5	23951	Nut	
6	38267	Hood Back Panel	
7	23222	Screw	
8	03814	Screw	
9	20267	Screw	
10	03815	Washer	
11	02916	Screw	
12	52566	Nut	
13	03673	Nut	
14	02431	Washer	
15	N/A	Bracket	
16	M400017	Washer	
17	N/A	Screw	
18	81799	Water Temperature Switch	
19	32465	Indicator Light	Unbalanced load
	801431	Light	In use, rinse or spin
20	36521WP	Control Panel and Bracket Assembly	White
	36521LP	Control Panel and Bracket Assembly	Almond
21	32648	Control Panel Bumper	
22	32479	Graphic Overlay	
23	24205	Nut	
24	N/A	Screw	
25	39897	Switch Knob	
26	91176	Washer	
27	35889P	Pressure Switch	

* Add Letter To Designate Color. L - Almond W - White

N/A = Part no longer available

Control Panel, Control Hood and Controls (Drawing 3 of 4)

Models EA2610*, EA2620*, EA2621*, EA2710* and EA2721*



W121PZ3B_35383

Control Panel, Control Hood and Controls (Drawing 3 of 4)

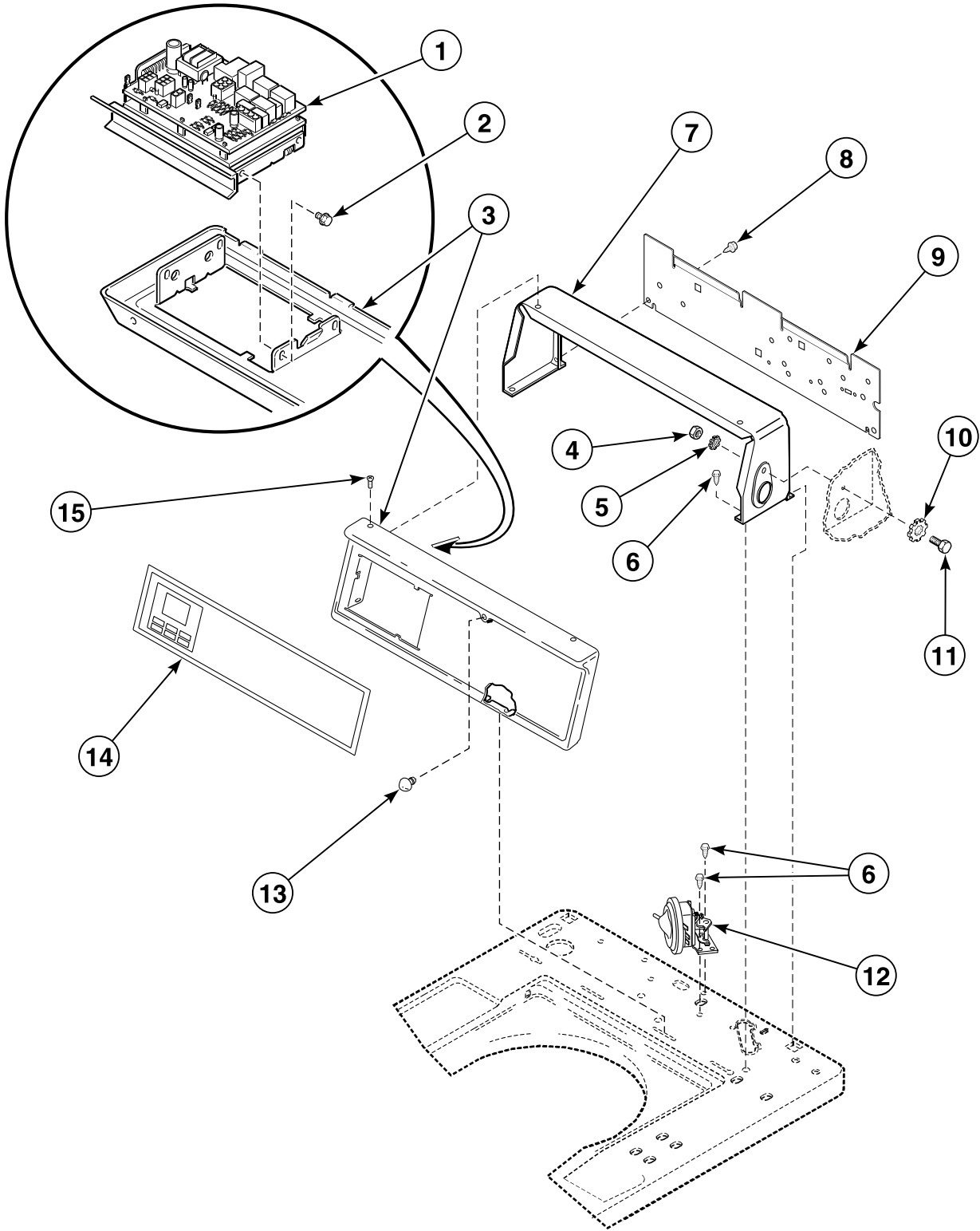
REF	PART NO.	DESCRIPTION	COMMENTS
1	500226	Screw	Phillips head
	35528	Screw	Torx head
2	91176	Washer	
3	81799	Water Temperature Switch	
4	27762	Motor Switch	
5	23962	Screw	
6	02431	Washer	
7	52566	Nut	
8	37075W	Control Hood	White
	37075L	Control Hood	Almond
9	23222	Screw	
10	38267	Hood Back Panel	
11	34896	Circuit Board Support	
12	N/A	Audit Control	
13	02916	Screw	
14	M400017	Washer	
15	32463	Unbalance Light	Unbalanced load
	32466	Light	In use
	32464	Light	Rinse or spin
16	N/A	Nut	
17	N/A	Washer	
18	34762	Push-On Clip	
19	35889P	Pressure Switch	
20	N/A	Graphic Overlay	Models EA2610* and EA2710*
	34699	Graphic Overlay	Models EA2620*, EA2621* and EA2721*
21	32648	Control Panel Bumper	
22	36521WP	Control Panel and Bracket Assembly	White
	36521LP	Control Panel and Bracket Assembly	Almond
23	34701	Transmit Light	
24	N/A	Transmit Switch	
25	24205	Nut	
26	N/A	Screw	
27	39897	Switch Knob	

* Add Letter To Designate Color. L - Almond W - White

N/A = Part no longer available

Control Panel, Control Hood and Controls (Drawing 4 of 4)

Models EA2820*, EA2821*, EA2920* and EA2921*



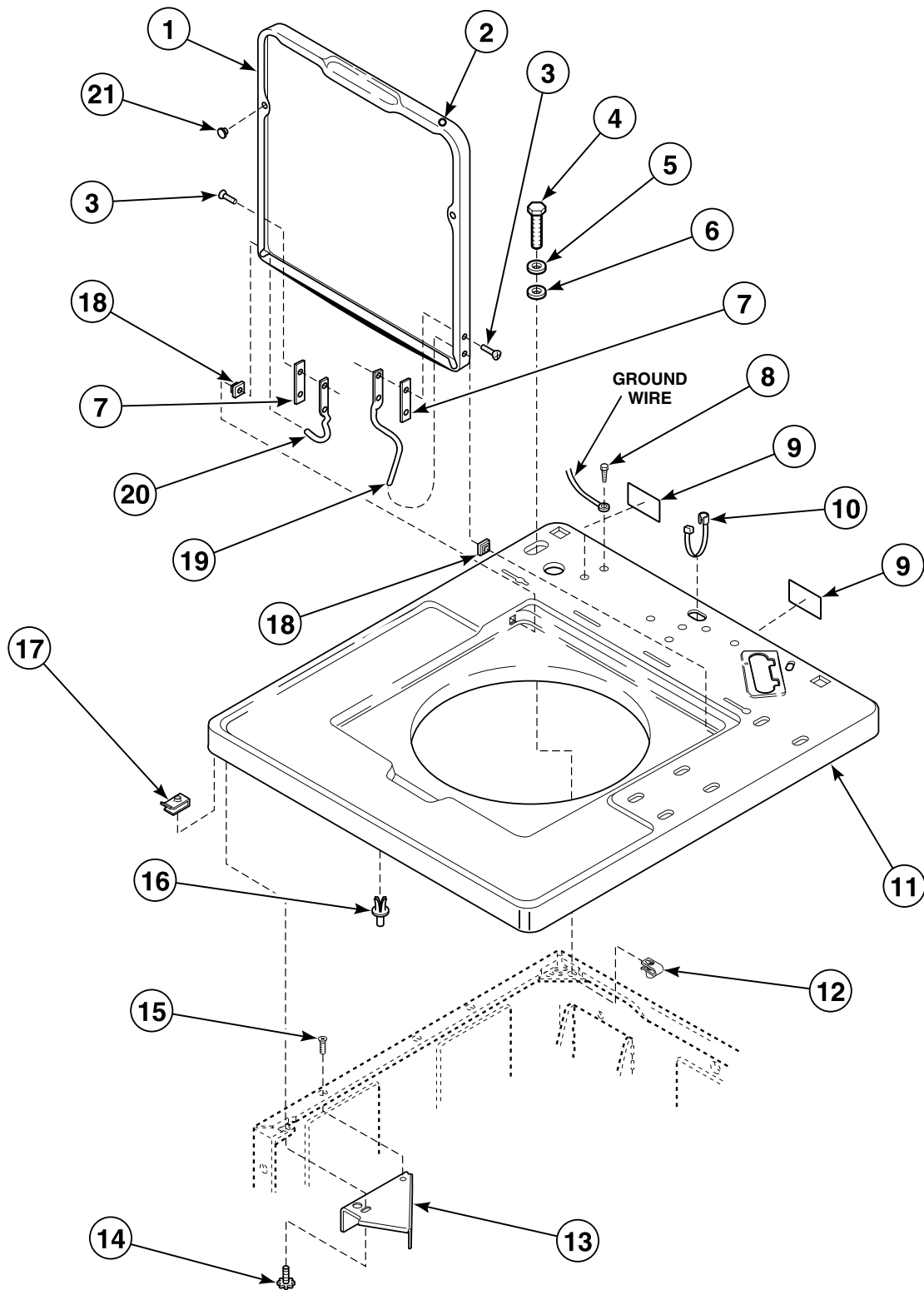
W196P_35383

Control Panel, Control Hood and Controls (Drawing 4 of 4)

REF	PART NO.	DESCRIPTION	COMMENTS
1	38188P	Control, Shield and Tape Kit	
2	501524	Screw	
3	36097W	Control Panel Assembly	White
	36097L	Control Panel Assembly	Almond
4	52566	Nut	
5	02431	Washer	
6	23962	Screw	
7	37075W	Control Hood	White
	37075L	Control Hood	Almond
8	23222	Screw	
9	38267	Hood Back Panel	
10	M400017	Washer	
11	02916	Screw	
12	35889P	Pressure Switch	
13	32648	Control Panel Bumper	
14	39096	Control Panel Overlay	
15	500226	Screw	Phillips head
	35528	Screw	Torx head

* Add Letter To Designate Color. L - Almond W - White

Cabinet Top and Loading Door



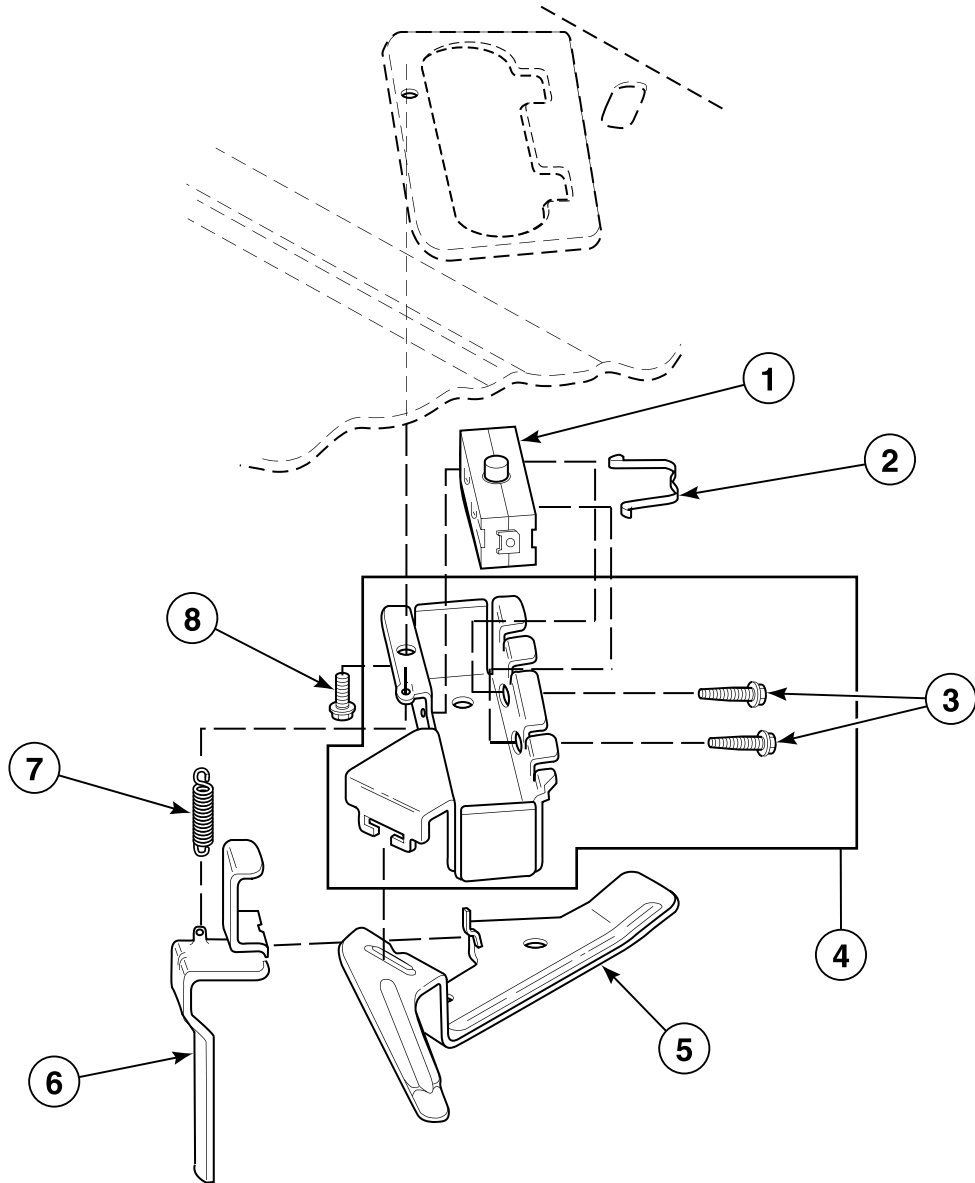
W123PZ3B_35383

Cabinet Top and Loading Door

REF	PART NO.	DESCRIPTION	COMMENTS
1	33845WP	Lid	White; Painted
	33845LP	Lid	Almond; Painted
	201460WP	Lid	White; Porcelain
	201460LP	Lid and Carton Assembly	Almond; Porcelain
2	34153	Lid Plug	
3	34337	Screw	
4	503673	Screw	Optional; For added security
5	35917	Washer	Metal; Optional; For added security
6	35774	Washer	Vinyl; Optional; For added security
7	34338	Hinge Gasket	
8	52909	Screw	
9	505281	Disconnect Power Warning Label	
10	38384	Strain Relief	
11	36120WP	Top Assembly	White; Painted; Metered models
	36120LP	Top Assembly	Almond; Painted; Metered models
	36122WP	Top Assembly	White; Porcelain; Metered models
	36122LP	Top Assembly	Almond; Porcelain; Metered models
	N/A	Cabinet Top	Painted; Nonmetered models
	36273WP	Top Assembly	White; Porcelain; Nonmetered models
	36273LP	Top Assembly	Almond; Porcelain; Nonmetered models
12	27222	Nut	Optional; For added security
13	36034	Director Bracket	
14	23008	Screw	
15	N/A	Screw	
16	56534	Support Barrel	
17	36020	Nut	
18	36474	Hinge Bushing	
19	36437	Lid Hinge	Right
20	36438	Lid Hinge	Left
21	21685	Bumper	

N/A = Part no longer available

Out-of-Balance Switch



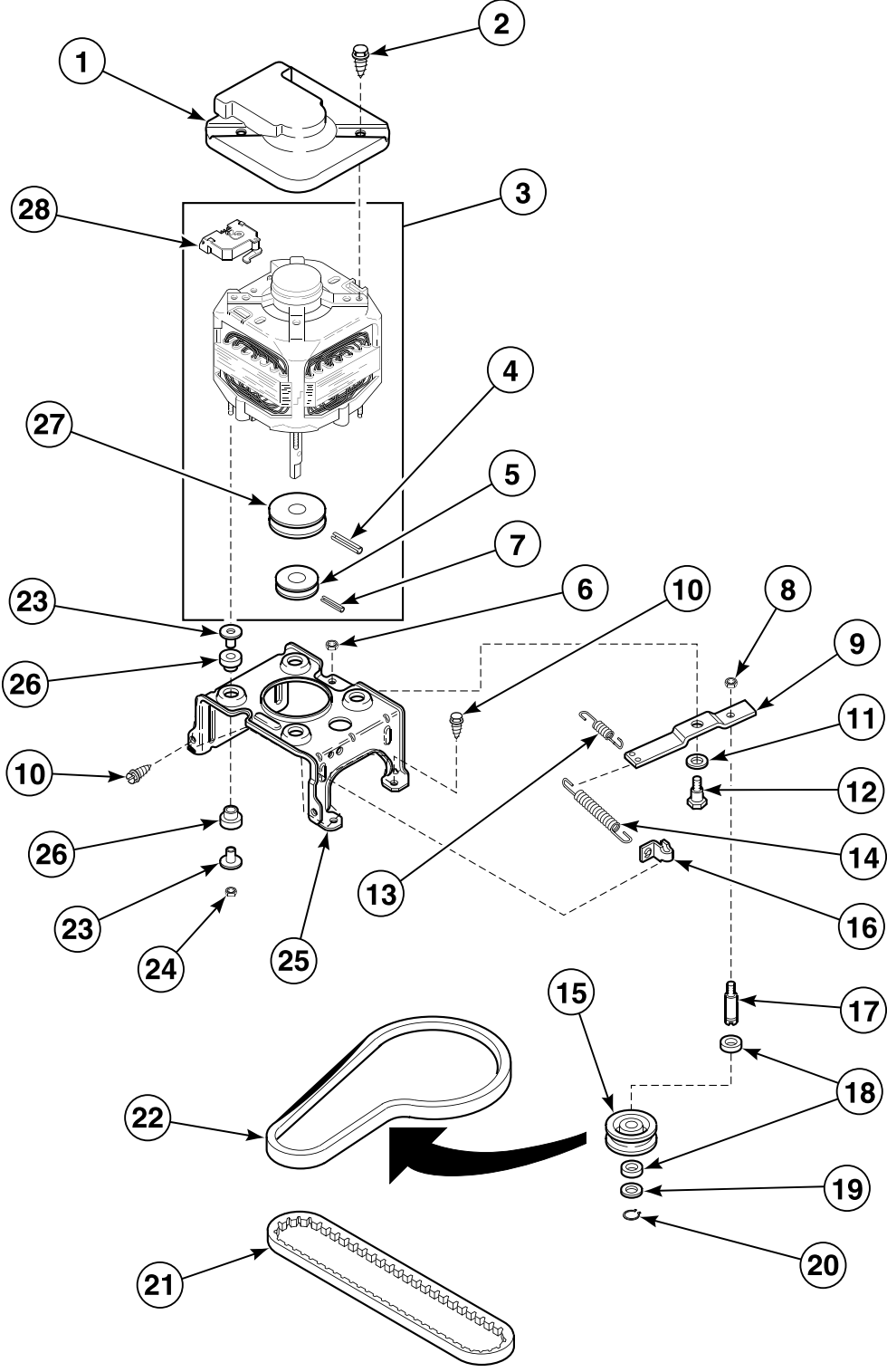
W209P_35383

Out-of-Balance Switch

REF	PART NO.	DESCRIPTION	COMMENTS
1	33445	Switch	Models EA2820*, EA2821*, EA2920* and EA2921*
	33527	Snap Switch	All other models
2	33433	Switch Holder Clip	For models using 33440 Switch Holder
3	36510	Screw	For models using 36497P Switch Holder Kit
4	36497P	Switch Holder Kit	Replaces 33440 Switch Holder
5	33441	Actuator Arm	
6	33442	Unbalanced Load Lever	
7	33443	Spring	
8	23962	Screw	

* Add Letter To Designate Color. L - Almond W - White

Motor, Mounting Bracket, Belts and Idler Assembly



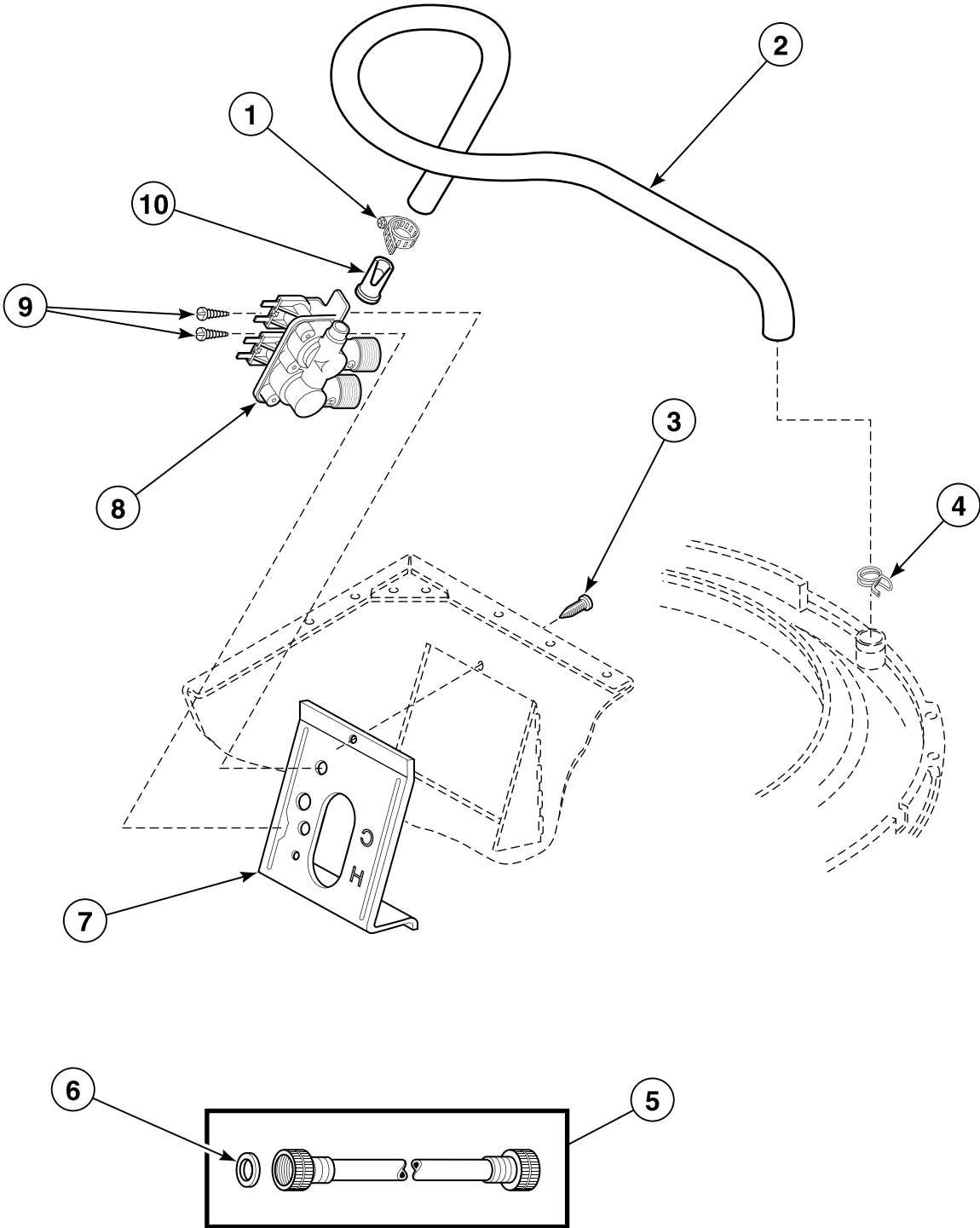
W235P_35383

Motor, Mounting Bracket, Belts and Idler Assembly

REF	PART NO.	DESCRIPTION	COMMENTS
	258P3	Capacitor Kit	For use in areas where low voltage exists
1	34754	Motor Shield	
2	36639	Screw	
3	35486P	Motor Assembly	1 speed motor
	35485P	Motor Assembly	2 speed motor
4	N/A	Roll Pin	
5	27104	Motor Pulley	Pump
6	52566	Nut	
7	10416	Roll Pin	
8	28803	Nut	
9	31054	Idler Lever	
10	503661	Screw	
11	81392	Washer	
12	27229	Screw	
13	N/A	Idler Lever Helper Spring	
14	37366	Idler Spring	
15	28800P	Idler Pulley	
16	28849	Spring Clip	
17	28802P	Idler Shaft	
18	29443	Washer	Felt
19	52549	Washer	Nylatron
20	23748	Retaining Ring	
21	27155	Pump Belt	Pump
22	28808	Belt	Agitate and spin
23	34791	Motor Mount Post	
24	35423	Nut	
25	N/A	Mounting Bracket	
26	34788	Motor Mount	Rubber
27	N/A	Motor Pulley	
28	35632P	Motor Switch	

N/A = Part no longer available

Inlet Hose, Fill Hose and Mixing Valve and Mounting Bracket

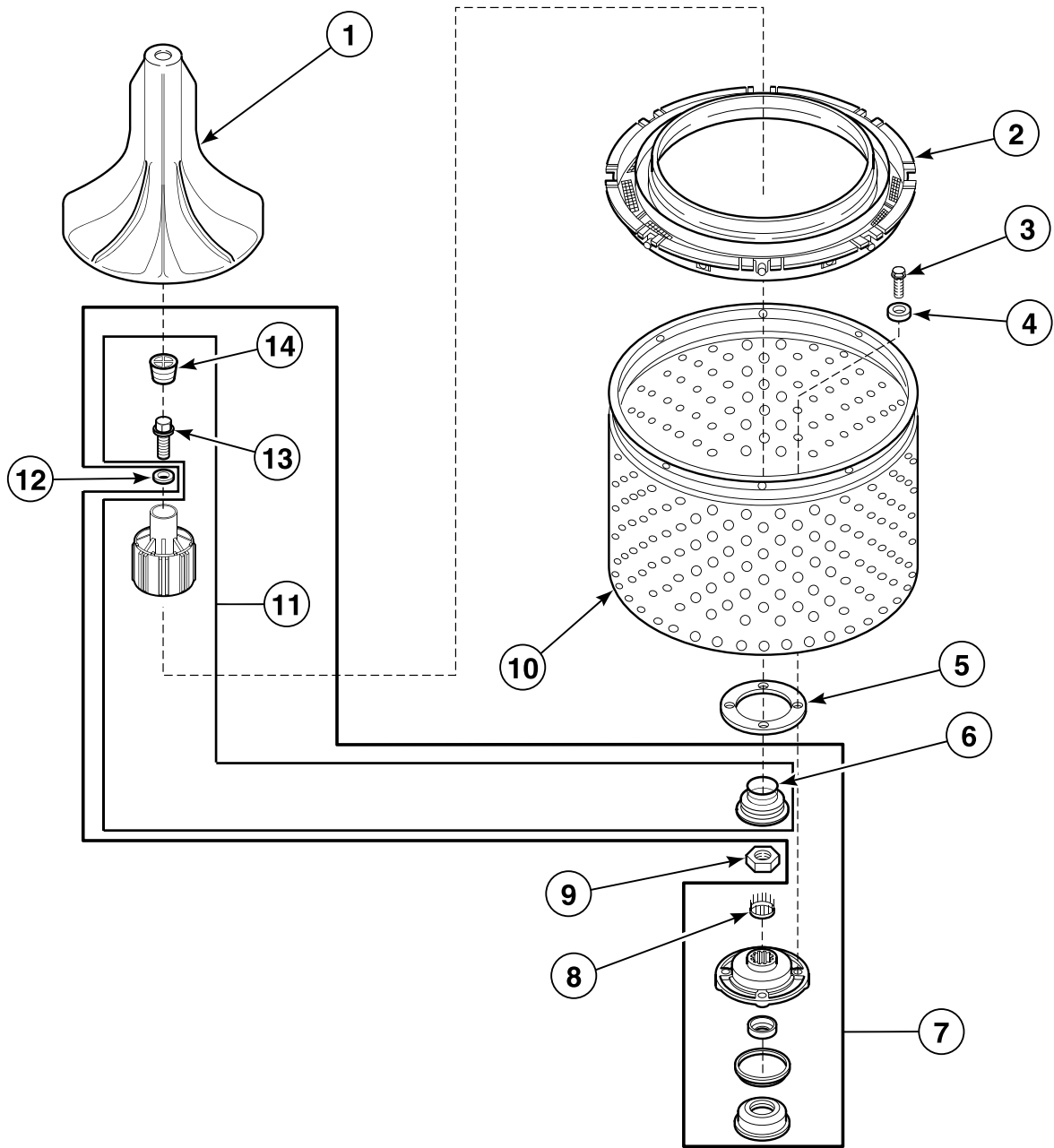


W125PZ3B_35383

Inlet Hose, Fill Hose and Mixing Valve and Mounting Bracket

REF	PART NO.	DESCRIPTION	COMMENTS
1	36801	Hose Clamp	
2	38155	Mixing Valve-to-Tub Cover Hose	
3	33562	Screw	
4	29210	Hose Clamp	Gold
5	28330P	Fill Hose Kit	
6	20290	Washer	
7	39407	Mixing Valve Mounting Bracket	
8	34963P	Mixing Valve	
9	23962	Screw	
10	34500	Backflow Preventer	

Agitator, Drive Bell, Seal Kit, Washtub and Hub

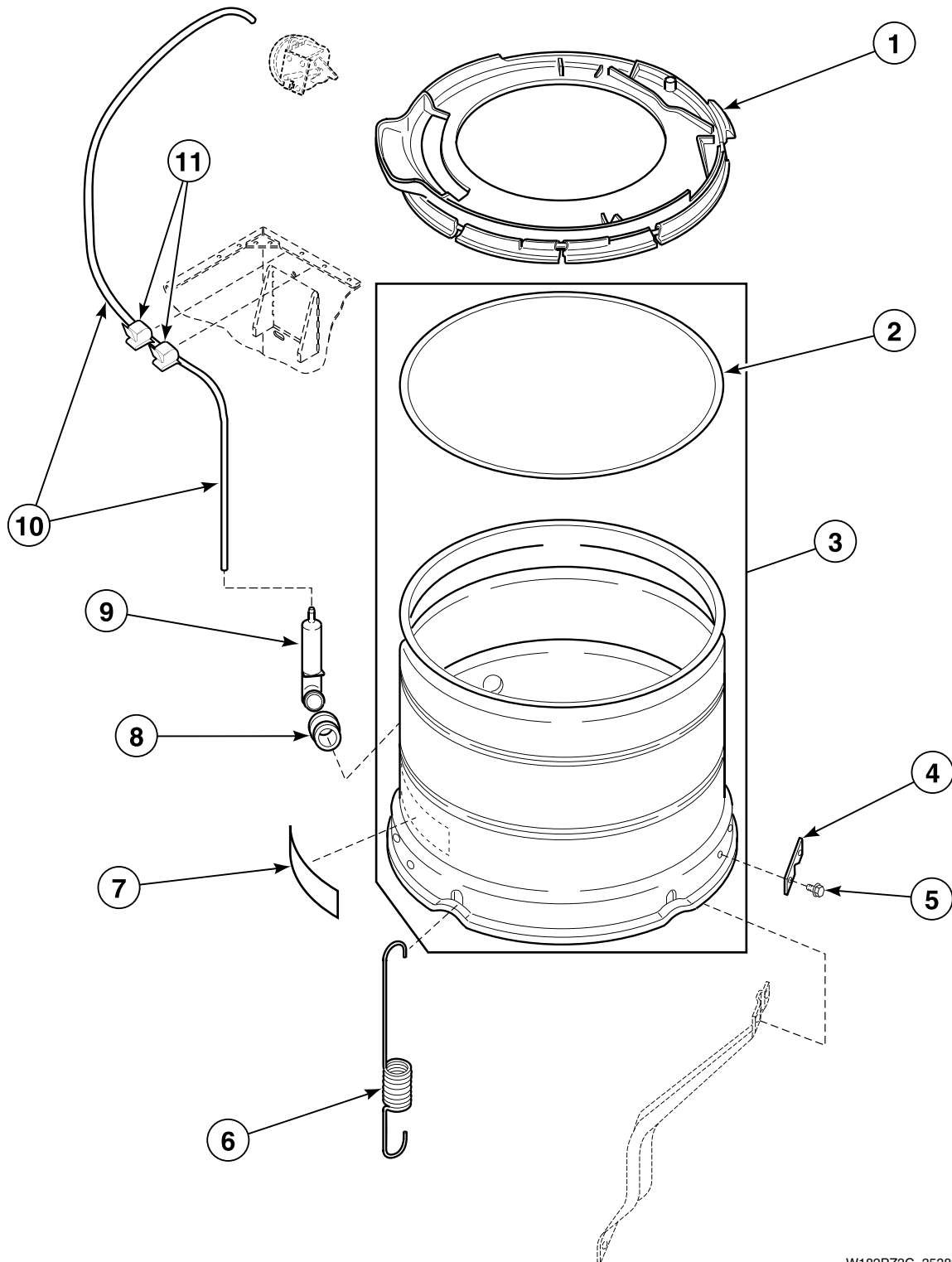


W227P_35383

Agitator, Drive Bell, Seal Kit, Washtub and Hub

REF	PART NO.	DESCRIPTION	COMMENTS
1	33513	Agitator	
2	32990	Clothes Guard	
3	27202	Screw	
4	28094	Washer	
5	39122	Washtub Gasket	
6	36425	Bell and Transmission Tube Seal	
7	495P3	Hub and Seal Kit	Includes 32857 Tub Cover Gasket and items 8 and 11
8	29728	Spline Insert	
9	29220	Nut	
10	39252P	Tub Assembly	Porcelain
	39387P	Tub Assembly	Stainless steel
11	39508P	Drive Bell and Seal Kit	Includes items 6, 13 and 14
12	36472	O-Ring	
13	39432	Screw	
14	36511	Bell Plug	

Outer Tub, Cover and Pressure Hose



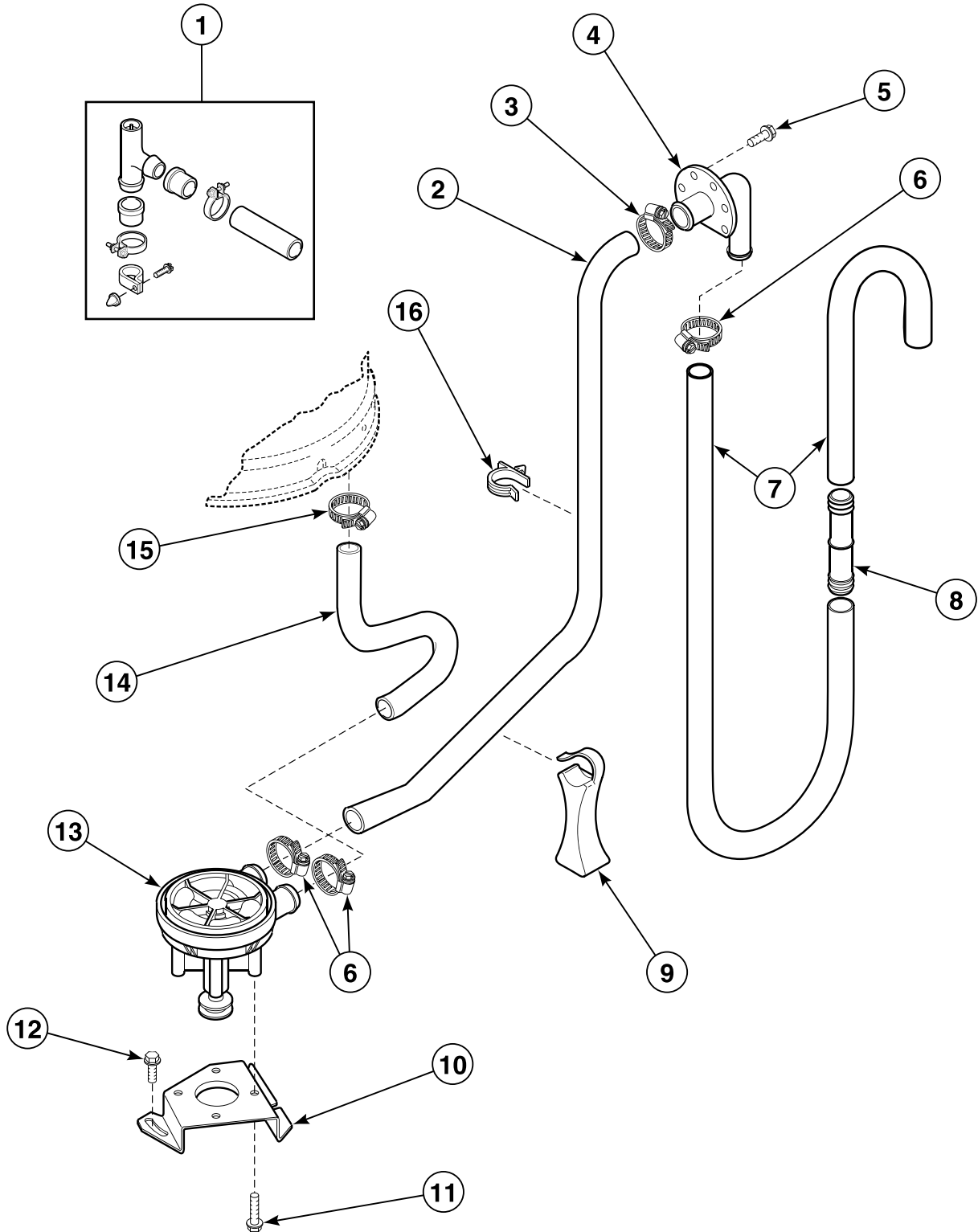
W182PZ3C_35383

Outer Tub, Cover and Pressure Hose

REF	PART NO.	DESCRIPTION	COMMENTS
1	36025P	Tub Cover Kit	Includes item 2
2	32857	Tub Cover Gasket	
3	34439P	Outer Tub Kit	
4	27926	Leg Plate	
5	35369	Screw	
6	35947	Tub Spring	
7	500049	Warning Label	
8	29175	Grommet	
9	30907	Pressure Bulb	
10	39125	Tubing	Models EA2311*, EA2820*, EA2821*, EA2920* and EA2921*
	39124	Tubing	All other models
11	21036	Cable Clip	

* Add Letter To Designate Color. L - Almond W - White

Pump Assembly, Bracket, Hoses and Siphon Break Kit



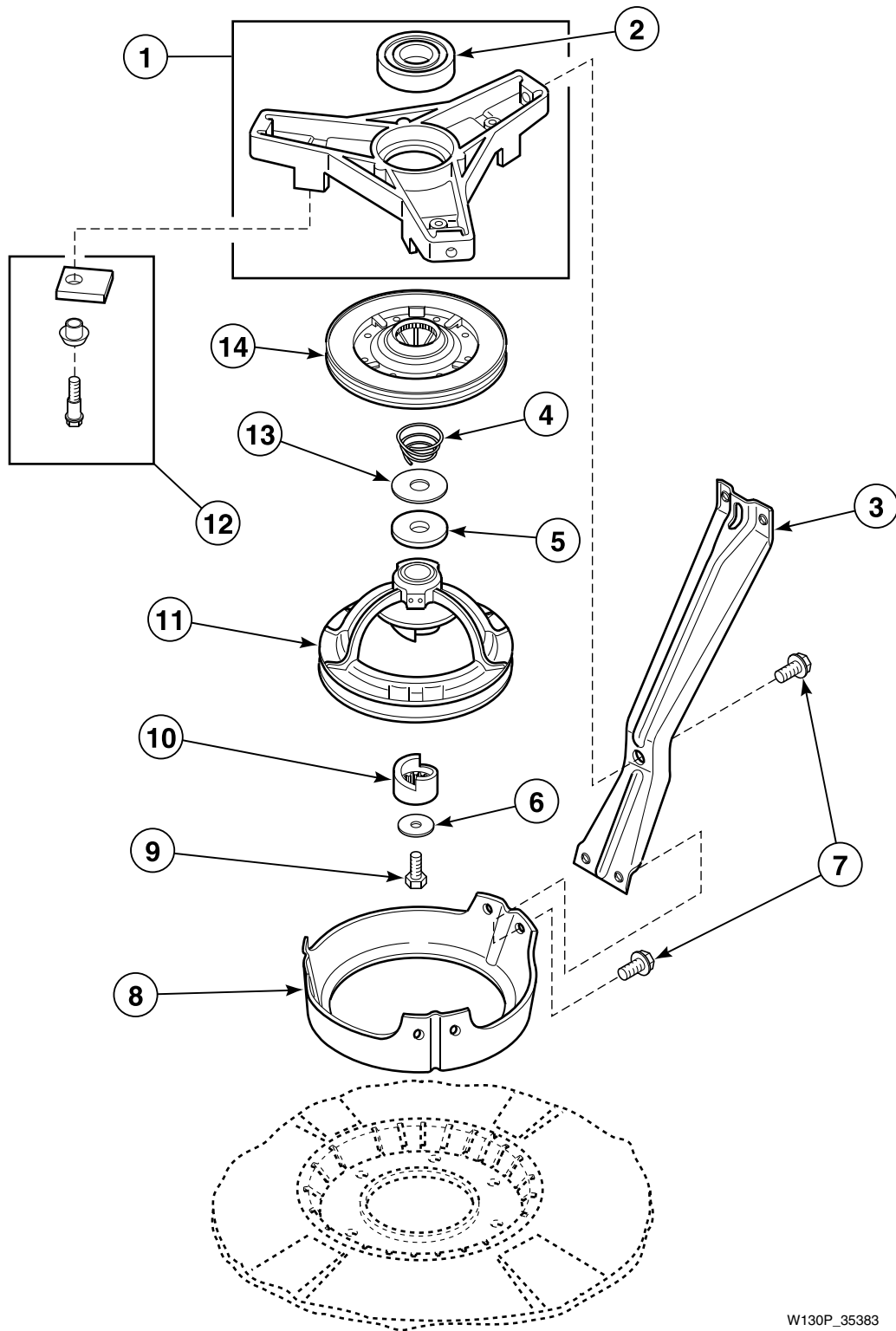
W192P__35383

Pump Assembly, Bracket, Hoses and Siphon Break Kit

REF	PART NO.	DESCRIPTION	COMMENTS
1	562P3	Siphon Break Kit	Siphon break kit MUST be installed in drain hose if drain receptacle is lower than cabinet top of washer
2	27161	Pump-to-Drain Elbow Hose	
3	20391	Hose Clamp	
4	35766	Drain Hose Elbow	
5	52909	Screw	
6	20211	Hose Clamp	
7	28293	Drain Hose	
8	25863	Hose Coupler	If drain hose must be shortened, cut hose between molded end and molded elbow. Use (1) 25863 Hose Coupler to splice hose
9	35487	Hose Support	
10	35162	Pump Mounting Bracket	
11	N/A	Screw	
12	503661	Screw	
13	31969	Pump Assembly	Includes 4 of item 11
14	35754	Tub-to-Pump Hose	
15	36802	Hose Clamp	
16	39177	Hose Retainer Clip	

N/A = Part no longer available

Bearing Housing, Brake, Pulley and Pivot Dome



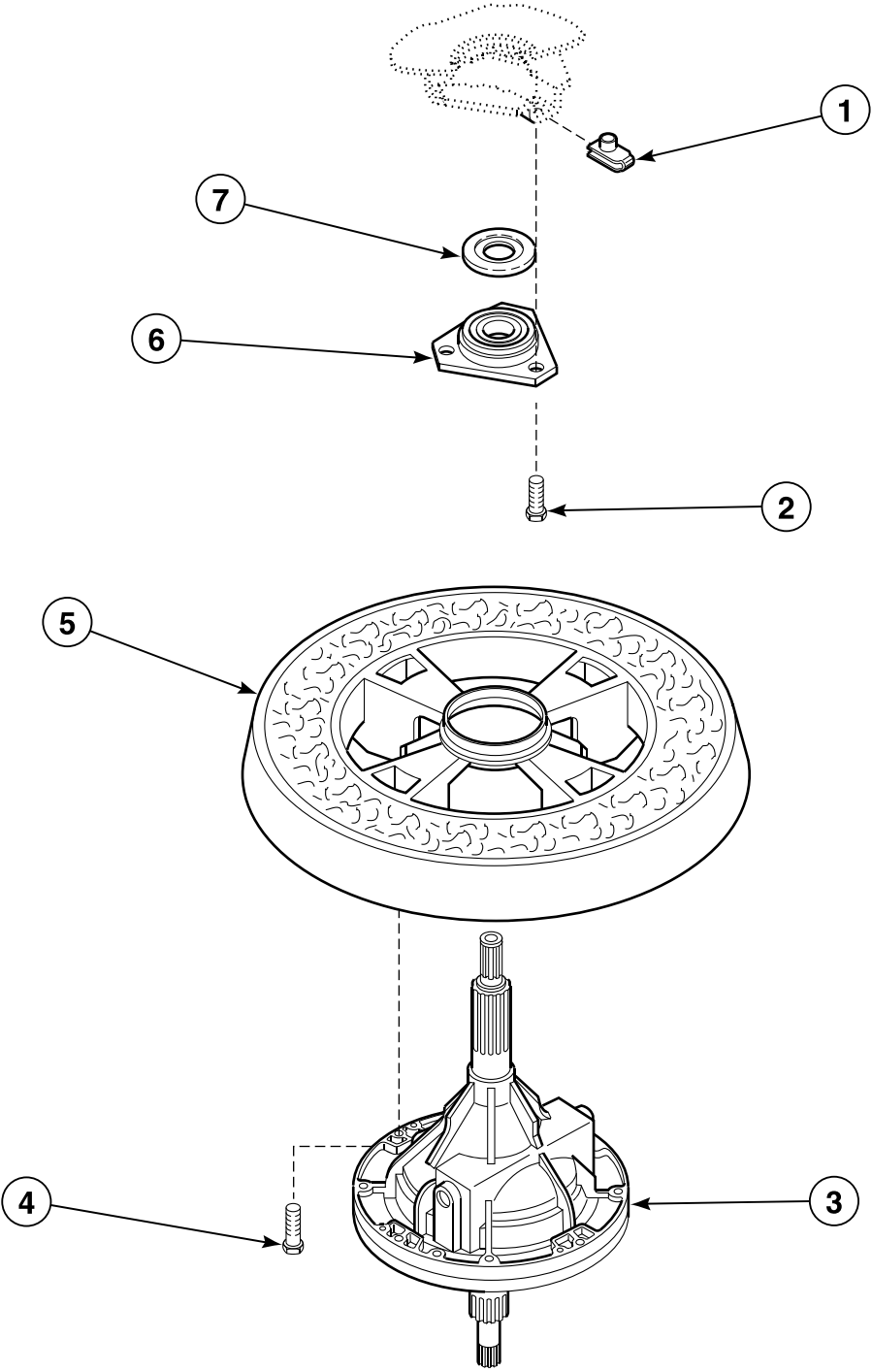
W130P_35383

Bearing Housing, Brake, Pulley and Pivot Dome

REF	PART NO.	DESCRIPTION	COMMENTS
	26594P	Silicone Grease	Apply a small amount to each new brake pad
1	35746	Bearing Housing Assembly	
2	28944RP	Upper and Lower Bearing	
3	N/A	Support Leg	
4	33435	Spring	
5	27015	Washer	Thick
6	26509	Washer	
7	35369	Screw	
8	34470	Pivot Dome	
9	27220	Screw	
10	27018	Helix	
11	34923	Pulley Assembly	
12	548P3	Brake Pad Kit	Includes 3 pads, sleeves and screws
13	35535	Washer	Thin
14	38505P	Brake Kit	

N/A = Part no longer available

Transmission Assembly and Balance Ring



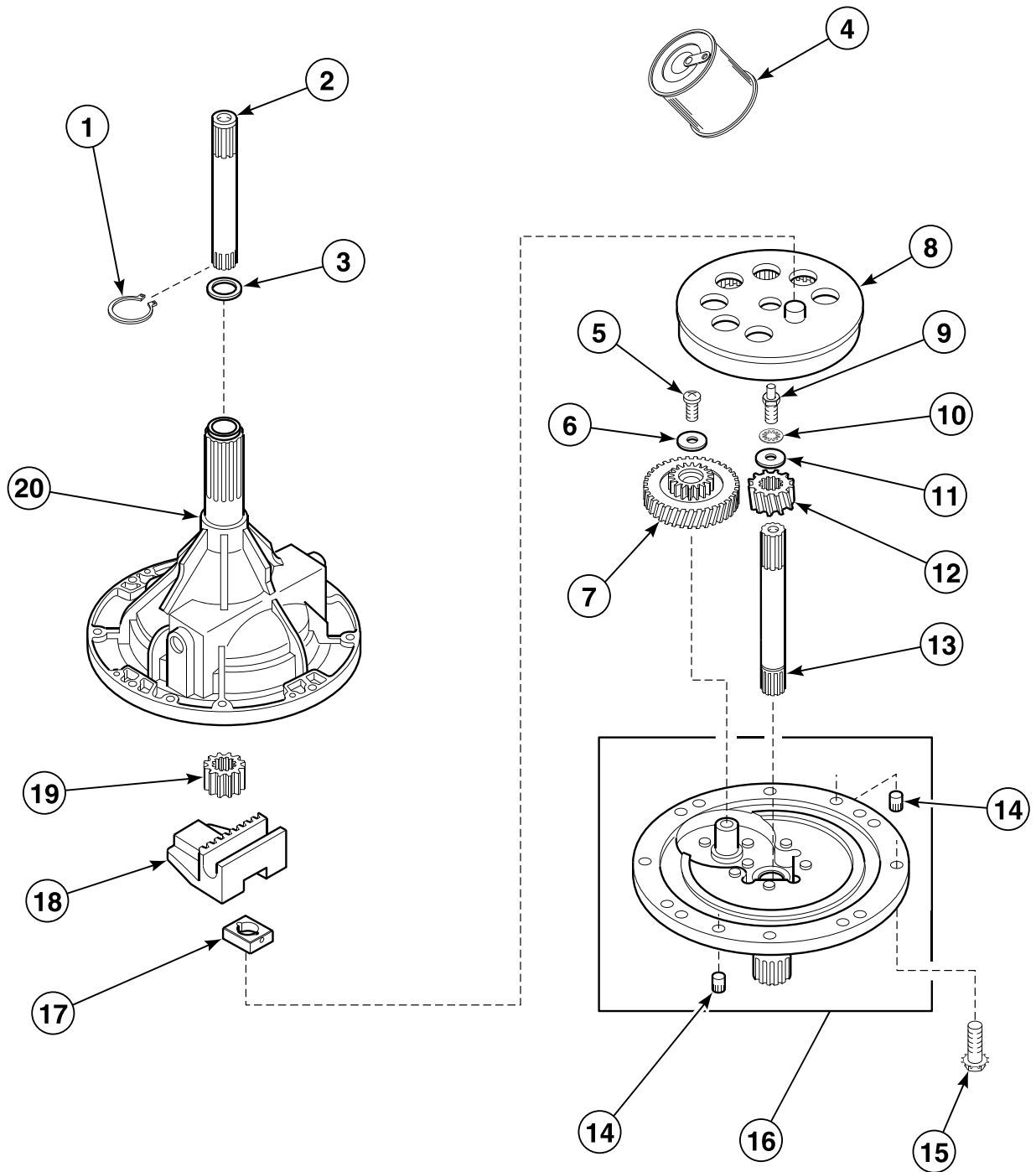
W234PZ3C_35383

Transmission Assembly and Balance Ring

REF	PART NO.	DESCRIPTION	COMMENTS
	27604P	Anti-Seize Compound	Apply to both the upper and lower transmission tubes
1	27222	Nut	
2	36991	Screw	
3	34526P	Transmission Assembly	Refer to <i>Transmission Assembly</i> section for component parts
4	N/A	Screw	
5	34731P	Balance Ring Assembly	
6	27182	Bearing Housing Assembly	
7	27187	Flinger	Models through Serial No. 9510053575

N/A = Part no longer available

Transmission Assembly



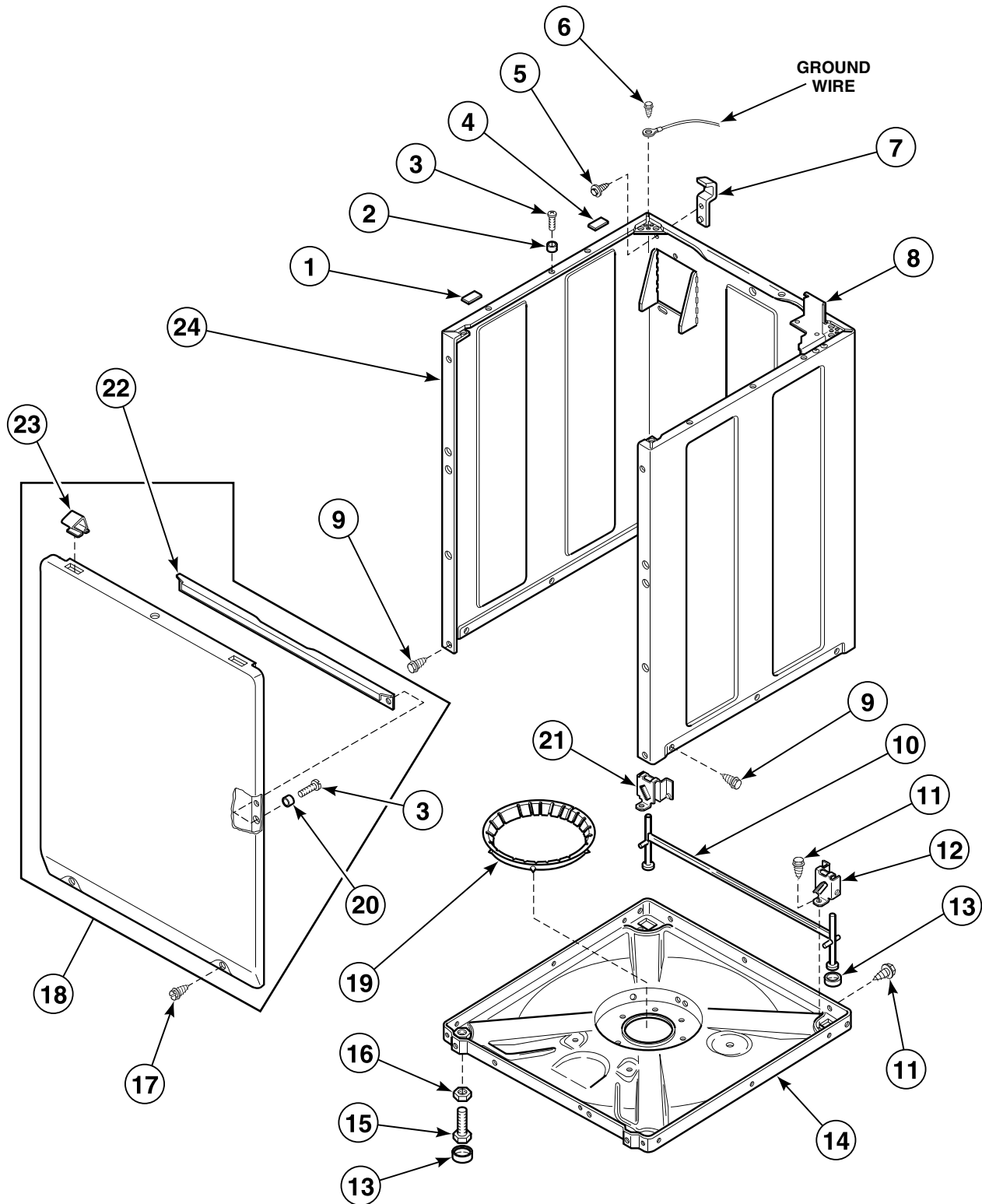
W132PZ3A_35383

Transmission Assembly

REF	PART NO.	DESCRIPTION	COMMENTS
	37577P	Transmission Sealant	Use between transmission case and cover
1	27197	Retaining Ring	
2	36570P	Output Shaft	
3	35092	Washer	
4	27243P	Transmission Oil	1 fill
5	29273	Screw	
6	29260	Washer	
7	29161	Reduction Gear	
8	26577	Gear and Stud Assembly	
9	201773	Screw	
10	21456	Washer	
11	26509	Washer	
12	36562	Drive Pinion	
13	34853P	Input Shaft	
14	N/A	Dowel Pin	
15	32814	Screw	
16	38290P	Transmission Cover Assembly	
17	26493	Slide	
18	201664	Rack	
19	27003	Agitator Pinion	
20	33223P	Transmission Case Assembly	

N/A = Part no longer available

Front Panel, Base Assembly and Cabinet Assembly

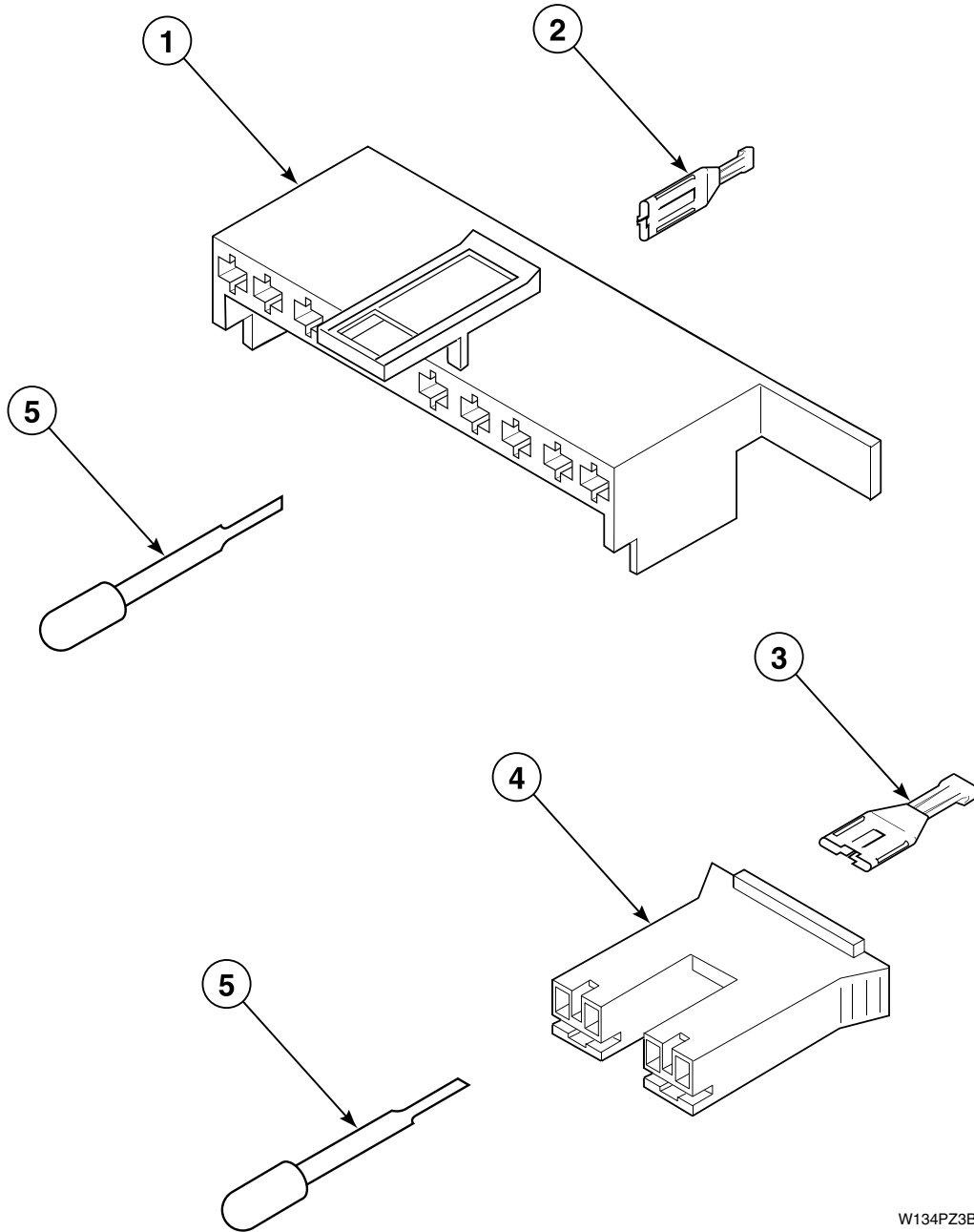


W133PZ3A_35383

Front Panel, Base Assembly and Cabinet Assembly

REF	PART NO.	DESCRIPTION	COMMENTS
1	56128	Bumper Pad	Thin
2	56079	Panel Locator	
3	39733	Screw	
4	36226	Bumper Pad	Thick
5	51780	Screw	
6	23962	Screw	
7	27103	Hold-Down Lug Hinge	
8	35867	Meter Case Mounting Bracket Assembly	
9	27196	Screw	
10	34443	Leg and Stabilizer Assembly	
11	35148	Screw	
12	36036	Bracket	Right
13	34318	Rubber Foot	
14	34434P	Base Kit	
15	34319	Leveling Leg	
16	21899	Nut	
17	27196	Screw	Slotted hex head
	35527	Screw	Torx head; Refer to <i>Special Tools</i> section for torx bit and holder
18	34656WP	Front Panel Assembly	White; Includes items 22, 23 and attaching hardware
	34656LP	Front Panel Assembly	Almond; Includes items 22, 23 and attaching hardware
19	36108	Snubber Pad Assembly	
20	28102	Panel Locator	
21	36037	Bracket	Left
22	35097	Front Panel Brace	
23	35865	Hold-Down Clip	
24	38612WP	Service Cabinet Kit	White
	38612LP	Service Cabinet Kit	Almond

Mixing Valve and Motor Disconnect Blocks, Terminals and Terminal Extractor Tool

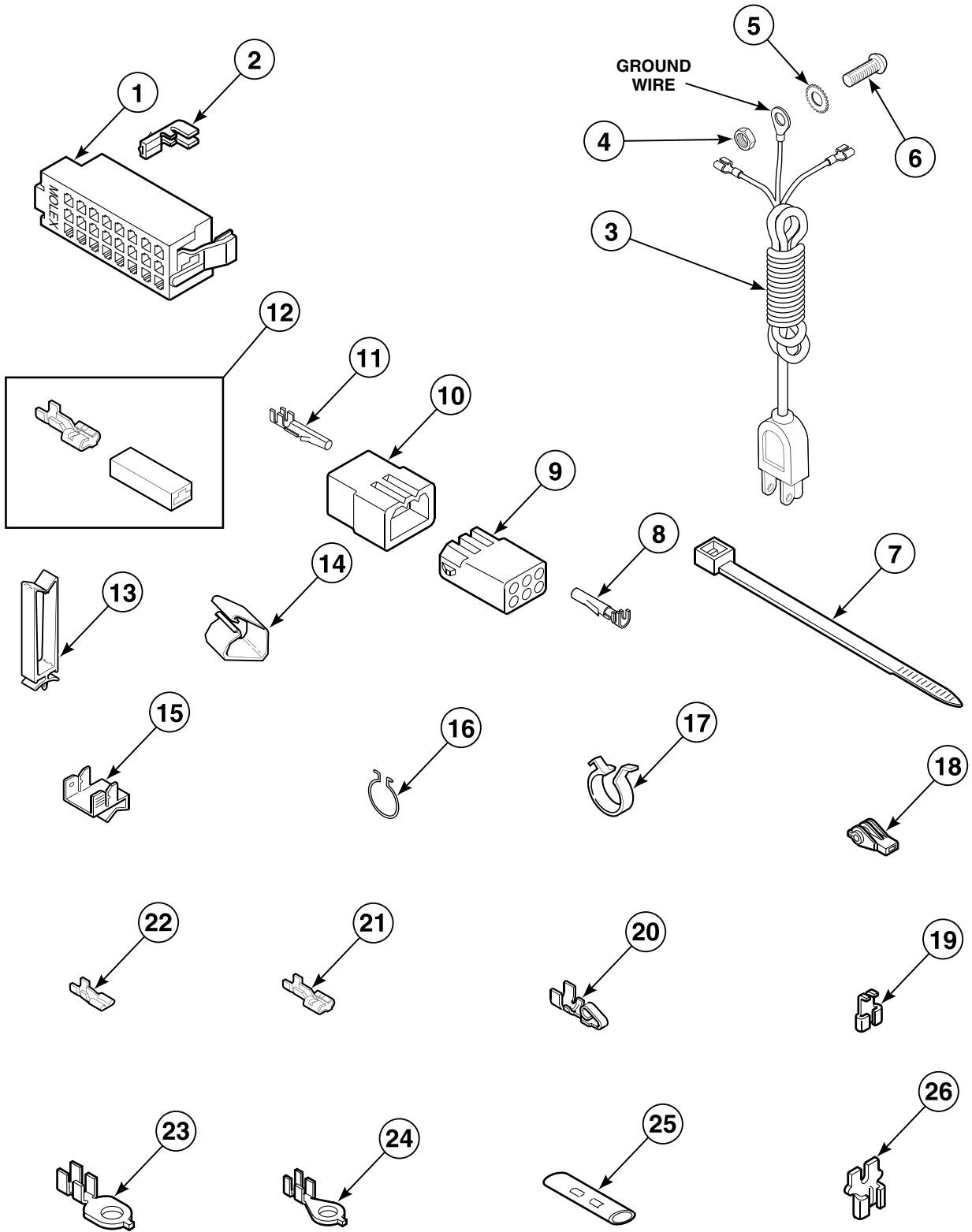


W134PZ3B_35383

Mixing Valve and Motor Disconnect Blocks, Terminals and Terminal Extractor Tool

REF	PART NO.	DESCRIPTION	COMMENTS
1	34677	10 Circuit Plug	Motor
2	00188	Female Terminal	For 1 or 2 wire application
3	00121	Female Spade Terminal	1/4 inch
4	34675	Mixing Valve Plug	Natural
	34676	Mixing Valve Plug	Red
5	283P4	Terminal Extractor Tool	

Power Cord and Terminals



W135PZ3A_35383

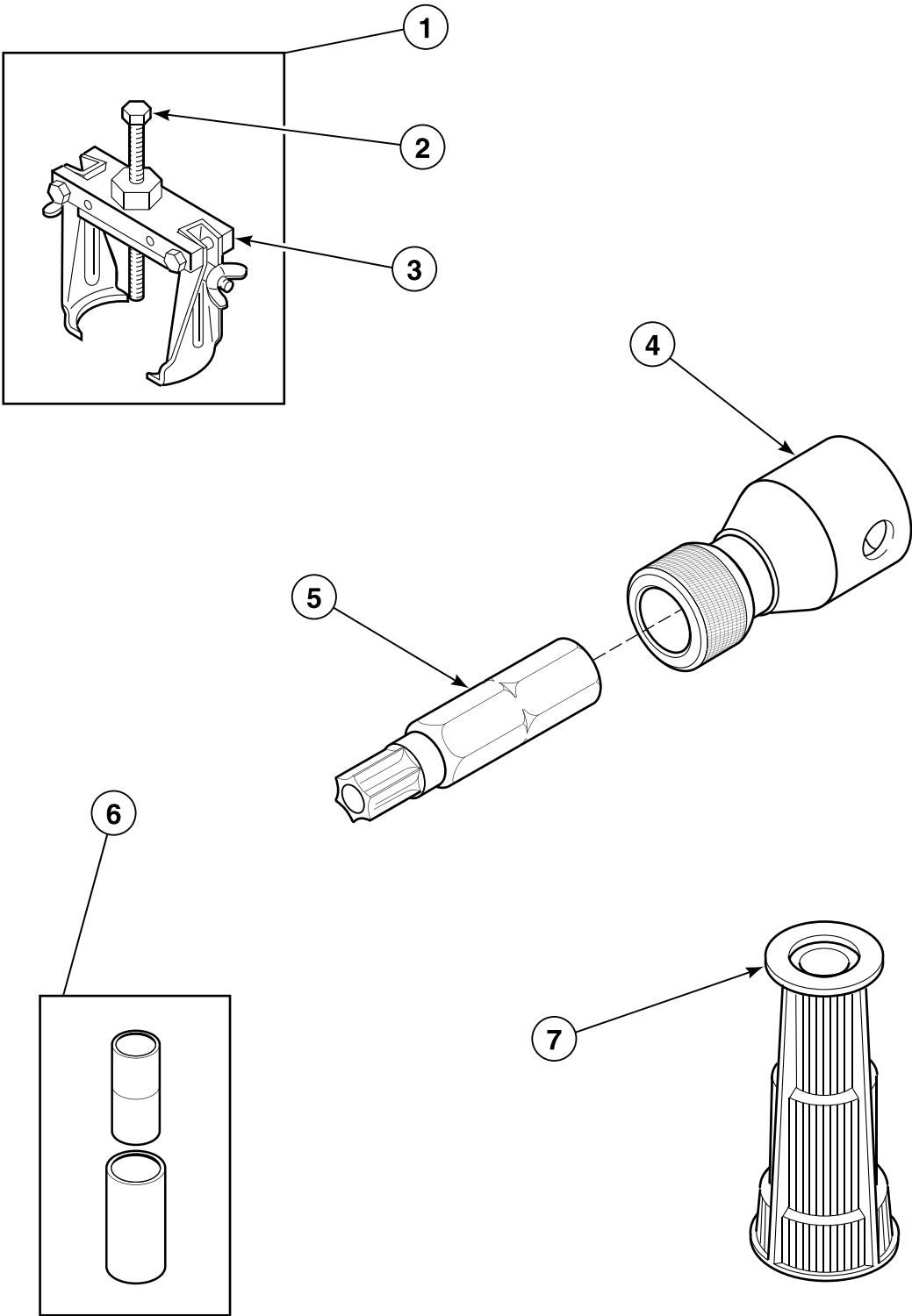
Power Cord and Terminals

REF	PART NO.	DESCRIPTION	COMMENTS
1	32746	24 Position Housing	Right hand
	34123	24 Position Housing	Left hand
2	00188	Female Terminal	Used for 1 or 2 wire application
3	34458	Lead-In Cord	Models EA2011*, EA2020*, EA2021*, EA2311*, EA2820*, EA2821*, EA2920* and EA2921*
	39404	Lead-In Cord	All other models
4	03673	Nut	
5	03815	Washer	
6	20267	Screw	
7	55881	Harness Strap	
8	00117	Female Pin Terminal	
9	26301	1 Circuit Receptacle	
	26708	6 Circuit Receptacle	
	26163	9 Circuit Receptacle	
10	26302	1 Circuit Plug	
	23041	6 Circuit Plug	
	23033	9 Circuit Plug	
11	00116	Male Pin Terminal	
12	00359	Ultra Pod Terminal	
13	36274	Wire Clip	
14	N/A	Harness Clip	
15	00161	Grounding Clip	
16	51291	Wire Clip	
17	504034	Wire Clip	
18	70210	Insulator	
19	00120	Female Flag Terminal	
20	N/A	Spade Terminal	Female; 1/4 inch
21	00223	Female Spade Terminal	Large spade
22	00112	Female Spade Terminal	Small spade
23	00113	Ring Terminal	1/4 inch ring
24	00110	Ring Terminal	Small shank
25	21091	Connector	
26	29673	Terminal Adapter	

* Add Letter To Designate Color. L - Almond W - White

N/A = Part no longer available

Special Tools (Drawing 1 of 2)

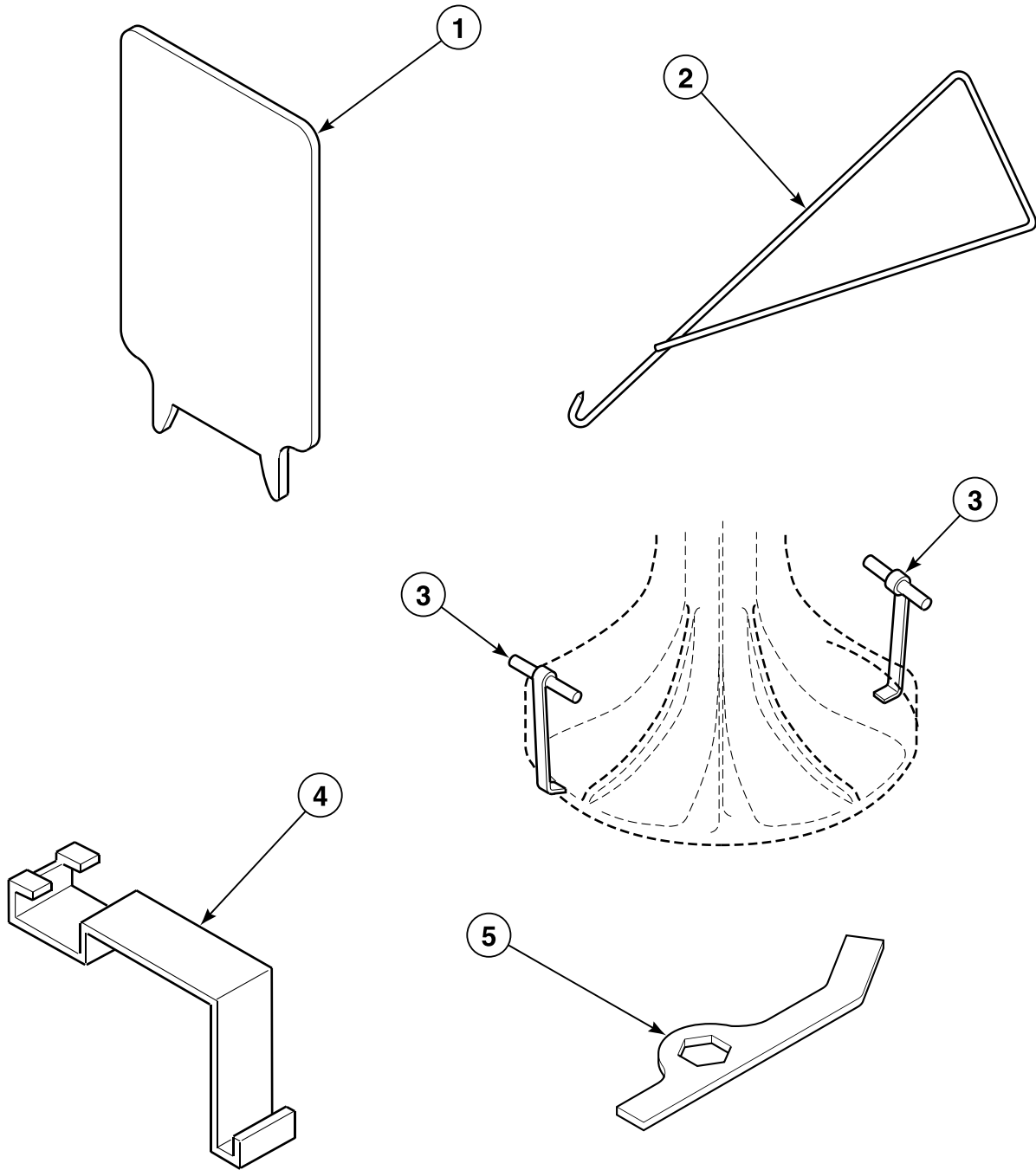


W399PZ3A_35383

Special Tools (Drawing 1 of 2)

REF	PART NO.	DESCRIPTION	COMMENTS
1	294P4	Agitator Drive Bell Puller	Replaces 253P4 Bell Puller; For removal and installation of drive bell to transmission shaft
2	294P4B	Bolt	Use to update 253P4 Bell Puller
3	294P4A	Drive Bell Puller Arm	Use to update 253P4 Bell Puller
4	24161	Bit Holder	3/8 inch drive
5	281P4	Torx Bit	For removal and installation of control hood security screws
	282P4	Torx Bit	For removal and installation of pump and front panel attached screws
6	242P4	Spring Installer	Use to install brake spring
7	293P4	Drive Bell Seal Tool	For installation of 36425 Bell and Transmission Tube Seal

Special Tools (Drawing 2 of 2)



W137PZ3B_35383

Special Tools (Drawing 2 of 2)

REF	PART NO.	DESCRIPTION	COMMENTS
1	272P4	Lid Switch Installation Tool	Use for installing lid switch for models using 33440 Switch Holder
2	321P4	Spring Hook Tool	Use for removal and installation of centering springs on outer tub
3	254P4P	Agitator Hook	Use to remove agitator from drive bell; Set of 2
4	273P4	Tub Cover Removal Tool	Use to remove 36025P Tub Cover Kit from outer tub and install 32857 Tub Cover Gasket in outer tub cover
5	306P4	Hex Wrench Tool	Use to remove hex locknut from washtub hub

Wire Harnesses and Wires

PART NO.	DESCRIPTION	COMMENTS
36278P	Base Wire Harness Assembly	
39811	Timer Wire Harness Assembly	Model EA2011*
34092P	Wire Harness Assembly	Timer; Models EA2020* and EA2021*
39806P	Timer Harness Assembly	Models EA2110*, EA2111*, EA2210* and JA0110*T
29281P	Timer Harness Assembly	Models EA2120*, EA2121*, EA2220* and EA2221*
N/A	Wire Harness Assembly	Timer; Model EA2311*
34175P	Timer Wire Harness Assembly	Models EA2520*, EA2521*, EA2620*, EA2621* and EA2721*
34239	Timer Wire Harness Assembly	Models EA2610* and EA2710*
33805P	Wire Harness Assembly	Hood; Models EA2020* and EA2021*
33758P	Wire Harness Assembly	Hood; Models EA2120*, EA2121*, EA2220*, EA2221*, EA2520*, EA2521* and EA2721*
N/A	Wire Harness Assembly	Hood; Models EA2610* and EA2710*
36262	Wire Harness Assembly	Hood; Models EA2620* and EA2621*
36093P	Wire Harness Assembly	Hood; Models EA2820*, EA2821*, EA2920* and EA2921*
N/A	Wire Harness Assembly	Hood; All other models
36094P	Meter Case Harness Assembly	Models EA2820*, EA2821*, EA2920* and EA2921*
45001	18 Gauge Wire	Black; Order wire by foot and terminals and connectors as required
45380	12 Gauge Wire	Orange; Order wire by foot and terminals and connectors as required

* Add Letter To Designate Color. L - Almond W - White

N/A = Part no longer available

NOTE: Individual wires are not available separately. Order complete harness, or order wire by the foot. When applying terminals to wires, it is recommended that the terminals be soldered to the wires.

Parts Index

A

Actuator	
36164	11
Actuator Arm	
33441	25
Actuator Support	
36163	11
Agitator	
33513	31
Agitator Drive Bell Puller	
294P4	49
Agitator Hook	
254P4P	51
Agitator Pinion	
27003	41
Anti-Seize Compound	
27604P	39

B

Backflow Preventer	
34500	29
Balance Ring Assembly	
34731P	39
Base Kit	
34434P	43
Base Wire Harness Assembly	
36278P	52
Bearing Housing Assembly	
27182	39
35746	37
Bell and Transmission Tube Seal	
36425	31
Bell Plug	
36511	31
Belt	
28808	27
Bit Holder	
24161	49
Bolt	
02505	5, 7, 9, 13
294P4B	49
29651	7, 9
Bracket	
36036	43
36037	43
Brake Kit	
38505P	37
Brake Pad Kit	
548P3	37
Bumper	
21685	23
Bumper Pad	
36226	43
56128	43

C

Cable Clip	
21036	33
Capacitor Kit	
258P3	27
Circuit Board Support	
34896	19
Clothes Guard	
32990	31
Clutch Assembly	
29503	7, 9
Coin Drop	
39873P	13
Coin Funnel Kit	
523P3	7, 9
Coin Slide Extension	
501483	11
Connector	
21091	47
Control and Bracket Assembly	
33422P	17
Control Hood	
37075L	15, 17, 19, 21
37075W	15, 17, 19, 21
Control Panel and Bracket Assembly	
36521LP	15, 17, 19
36521WP	15, 17, 19
Control Panel Assembly	
36097L	21
36097W	21
Control Panel Bumper	
32648	15, 17, 19, 21
Control Panel Overlay	
39096	21
Control, Shield and Tape Kit	
38188P	21
Counter Kit	
62113P	7

D

Director Bracket	
36034	23
Disconnect Power Warning Label	
505281	23
Drain Hose	
28293	35
Drain Hose Elbow	
35766	35
Drive Bell and Seal Kit	
39508P	31
Drive Bell Puller Arm	
294P4A	49
Drive Bell Seal Tool	
293P4	49
Drive Pinion	
36562	41

N/A items do not appear in index.

E

Expansion Plug	
200820	13

F

Female Flag Terminal	
00120	47
Female Pin Terminal	
00117	47
Female Spade Terminal	
00112	47
00121	45
00223	47
Female Terminal	
00188	45, 47
Fill Hose Kit	
28330P	29
Flinger	
27187	39
Front Panel Assembly	
34656LP	43
34656WP	43
Front Panel Brace	
35097	43

G

Gear and Stud Assembly	
26577	41
Graphic Overlay	
32460	15
32472	15
32479	17
34699	19
Grommet	
29175	33
Grounding Clip	
00161	47

H

Harness Strap	
55881	47
Helix	
27018	37
Hex Wrench Tool	
306P4	51
Hinge Bushing	
36474	23
Hinge Gasket	
34338	23
Hold-Down Clip	
35865	43
Hold-Down Lug Hinge	
27103	43
Hood Back Panel	
38267	15, 17, 19, 21

Hose Clamp	
20211	35
20391	35
29210	29
36801	29
36802	35

Hose Coupler	
25863	35

Hose Retainer Clip	
39177	35

Hose Support	
35487	35

Housing, 24 Position	
32746	47
34123	47

Hub and Seal Kit	
495P3	31

I

Idler Lever	
31054	27

Idler Pulley	
28800P	27

Idler Shaft	
28802P	27

Idler Spring	
37366	27

Indicator Light	
32465	17

Input Shaft	
34853P	41

Insulator	
70210	47

L

Lead-In Cord	
34458	47
39404	47

Leg and Stabilizer Assembly	
34443	43

Leg Plate	
27926	33

Leveling Leg	
34319	43

Lid	
201460WP	23
33845LP	23
33845WP	23

Lid and Carton Assembly	
201460LP	23

Lid Hinge	
36437	23
36438	23

Lid Plug	
34153	23

Lid Switch Installation Tool	
272P4	51

Light	
32464	15, 19
32466	15, 19

N/A items do not appear in index.

801431 17

306477, 9, 13
3542327
3602023
525665, 15, 17, 19, 21, 27

M

Magnet
501453 9, 13

Male Pin Terminal
00116 47

Meter Case and Funnel Kit
524P3L 7, 9
524P3W 7, 9

Meter Case Bracket Gasket
35526 7, 9, 13

Meter Case Gasket
26354 7, 9, 13

Meter Case Harness Assembly
36094P 52

Meter Case Kit
38542LP 13
38542WP 13

Meter Case Lockdown Bracket
35525 7, 9, 13

Meter Case Locking Bracket
30642 7, 9, 13

Meter Case Mounting Bracket Assembly
35867 43

Mixing Valve
34963P 29

Mixing Valve Mounting Bracket
39407 29

Mixing Valve Plug
34675 45
34676 45

Mixing Valve-to-Tub Cover Hose
38155 29

Motor Assembly
35485P 27
35486P 27

Motor Mount
34788 27

Motor Mount Post
34791 27

Motor Pulley
27104 27

Motor Shield
34754 27

Motor Switch
27762 15, 19
35632P 27

N

Nut
03673 17, 47
21899 43
23951 17
24205 15, 17, 19
27222 23, 39
28803 27
29220 31
29786 5, 7, 9, 13
29796 7, 9

O

Opto Coupler
200824P 13

O-Ring
36472 31

Outer Tub Kit
34439P 33

Output Shaft
36570P 41

P

Panel Locator
28102 43
56079 43

Pivot Dome
34470 37

Plastic Boot
36165 11

Plug, 1 Circuit
26302 47

Plug, 10 Circuit
34677 45

Plug, 6 Circuit
23041 47

Plug, 9 Circuit
23033 47

Pressure Bulb
30907 33

Pressure Switch
35889P 15, 17, 19, 21

Pulley Assembly
34923 37

Pump Assembly
31969 35

Pump Belt
27155 27

Pump Mounting Bracket
35162 35

Pump-to-Drain Elbow Hose
27161 35

Pushbutton Switch
34536 9

Push-On Clip
34762 19

Push-to-Start Sticker
53738 5

R

Rack
201664 41

Receptacle, 1 Circuit
26301 47

N/A items do not appear in index.

Receptacle, 6 Circuit	
26708	47
Receptacle, 9 Circuit	
26163	47
Reduction Gear	
29161	41
Reed Switch	
34599	9, 13
Rejector Faceplate	
201191	13
Retaining Ring	
23748	27
27197	41
Ring Terminal	
00110	47
00113	47
Roll Pin	
10416	27
Rubber Foot	
34318	43

S

Screw	
02916	5, 15, 17, 19, 21
03814	17
03950	11
201773	41
20267	17, 47
21720	7, 9
23008	23
23222	15, 17, 19, 21
23962	5, 15, 17, 19, 21, 25, 29, 43
27196	43
27202	31
27220	37
27229	27
27328	5
29273	41
31260	9
32814	41
33562	29
34337	23
35148	43
35369	33, 37
35527	43
35528	15, 17, 19, 21
36048	7, 9, 13
36166	11
36510	25
36639	27
36991	39
39432	31
39733	43
500226	15, 17, 19, 21
501524	21
502431	7, 9
503661	27, 35
503673	7, 9, 13, 23
51778	5
51780	43
52909	23, 35
80399	5
Service Cabinet Kit	
38612LP	43
38612WP	43

Service Door Assembly	
35798LP	7, 9, 13
35798WP	7, 9, 13
Silicone Grease	
26594P	37
Siphon Break Kit	
562P3	35
Slide	
26493	41
Snap Switch	
33527	25
Snubber Pad Assembly	
36108	43
Spline Insert	
29728	31
Spring	
33435	37
33443	25
Spring Clip	
28849	27
Spring Hook Tool	
321P4	51
Spring Installer	
242P4	49
Strain Relief	
38384	23
Support Barrel	
56534	23
Switch	
33445	25
504570	13
Switch Holder Clip	
33433	25
Switch Holder Kit	
36497P	25
Switch Knob	
39897	15, 17, 19

T

Terminal Adapter	
29673	47
Terminal Extractor Tool	
283P4	45
Timer	
28716P	5
31111P	7
34601P	7
34602P	7, 9
Timer Bracket	
35249	7, 9, 11
Timer Case Assembly	
37733W	5
Timer Harness Assembly	
29281P	52
39806P	52
Timer Knob Assembly	
26256	5
Timer Plate	
31864W	5
Timer Wire Harness Assembly	
34175P	52
34239	52

N/A items do not appear in index.

39811	52	23225	5
Top Assembly		26509	37, 41
36120LP	23	27015	37
36120WP	23	28094	31
36122LP	23	29260	41
36122WP	23	29443	27
36273LP	23	30627	5
36273WP	23	35092	41
Torx Bit		35535	37
281P4	49	35774	7, 9, 13, 23
282P4	49	35917	7, 9, 13, 23
Transmission Assembly		52549	27
34526P	39	81392	27
Transmission Case Assembly		91176	15, 17, 19
33223P	41	Washtub Gasket	
Transmission Cover Assembly		39122	31
38290P	41	Water Temperature Switch	
Transmission Oil		81799	15, 17, 19
27243P	41	Wire Clip	
Transmission Sealant		36274	47
37577P	41	504034	47
Transmit Light		51291	47
34701	19	Wire Harness Assembly	
Tub Assembly		33758P	52
39252P	31	33805P	52
39387P	31	34092P	52
Tub Cover Gasket		36093P	52
32857	33	36262	52
Tub Cover Kit		Wire, 12 Gauge	
36025P	33	45380	52
Tub Cover Removal Tool		Wire, 18 Gauge	
273P4	51	45001	52
Tub Spring			
35947	33		
Tubing			
39124	33		
39125	33		
Tub-to-Pump Hose			
35754	35		

U

Ultra Pod Terminal	
00359	47
Unbalance Light	
32463	15, 19
Unbalanced Load Lever	
33442	25
Upper and Lower Bearing	
28944RP	37

W

Warning Label	
500049	33
Washer	
M400017	5, 15, 17, 19, 21
02431	5, 15, 17, 19, 21
03815	17, 47
20290	29
21456	41
21734	5

N/A items do not appear in index.

